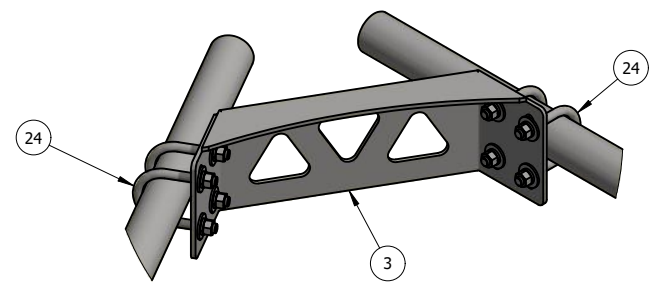
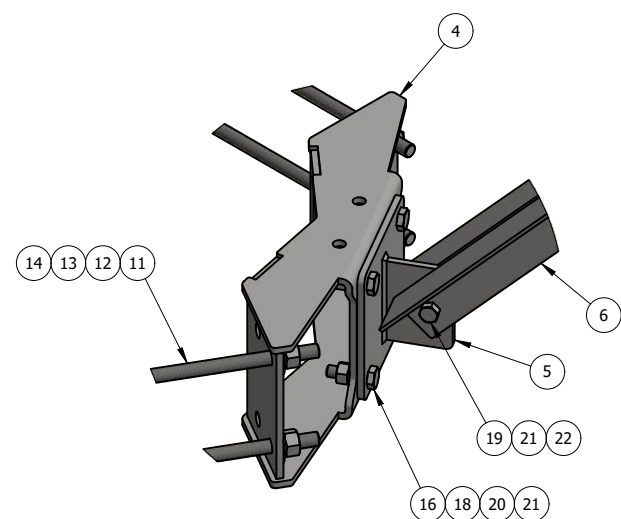


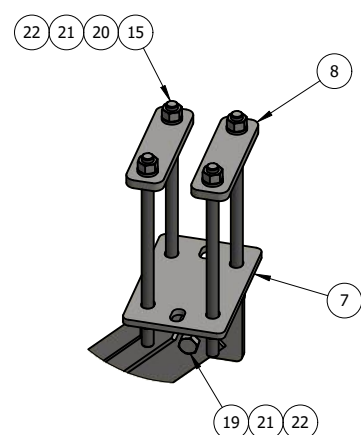
DETAIL - A



DETAIL - B



DETAIL - C



DETAIL - D

ITEM	PART #	QTY	DESCRIPTION	LENGTH	FINISH	UNIT WT
1	MF1236-3.01	3	UNIVERSAL 12" TO 36" RING MOUNT WELDMENT		HDG	50.60
2	LPCP-12HD.01	3	3-SECTOR L.P. MOUNT HEAVY DUTY WELDMENT		HDG	217.74
3	LPHK.01	3	1/4" PLATE		HDG	11.33
4	M1236-3.01	3	UNIV. 12" TO 36" OD RING MOUNT WELDMENT		HDG	38.96
5	LPS.01	3	LOWER MOUNTING BRACKET		HDG	8.63
6	LPS.04	6	L3x3x1/4"	5'	HDG	24.67
7	LPS30-20.01	3	LOW PROFILE TOP BRACKET WELDMENT		HDG	6.68
8	LPCP.01	6	1/2" PLATE			1.81
9	P35-156	3	3" STD PIPE	13'	HDG	98.59
10	P23-156	3	2" STD PIPE	13'	HDG	47.54
11	27-5580-005	15	3/4" x 28" B7 HDG ALL-THREAD	2'-4"		3.51
12	27-5481-005	30	3/4 A36 HDG FLAT WASHER			0.11
13	27-5490-005	30	3/4 HDG LOCK WASHER			0.04
14	27-5500-005	30	3/4 HDG HEAVY HEX NUT			0.21
15	TR58-12	12	5/8" x 12" A36 HDG ALL-THREAD	1'		1.04
16	27-5440-005	24	5/8" x 2 1/4" A325 HDG BOLT			0.30
17	27-5372-005	12	5/8 F436 HDG FLAT WASHER			0.05
18	27-5390-005	24	5/8 HDG HEAVY HEX NUT			0.13
19	27-4403-005	6	5/8" x 2" GR.5 HDG BOLT			0.27
20	27-5370-005	24	5/8 A36 HDG FLAT WASHER			0.08
21	27-5380-005	54	5/8 HDG LOCK WASHER			0.03
22	27-5391-005	30	5/8" HDG HEX NUT			0.08
23	27-6090-005	12	GALV. 1/2" x 3 5/8" x 5" U-BOLT ASSEMBLY			0.90
24	27-6060-005	12	HDG - 1/2" x 2-1/2" x 4" U-BOLT ASSEMBLY		HDG	0.76

THIS DESIGN AND INFORMATION CONTAINED ON THIS PRINT IS THE PROPERTY OF VALLEY FAB CORPORATION. ANY REPRODUCTION, DUPLICATION OR TRANSFER OF THE PROPRIETARY CONTENT IS PROHIBITED WITHOUT WRITTEN PERMISSION.

**STANDARD TOLERANCES:**  
(UNLESS OTHERWISE NOTED)  
FRACTIONS ±1/16"  
DECIMALS ±0.01"  
ANGLES ±0.5°

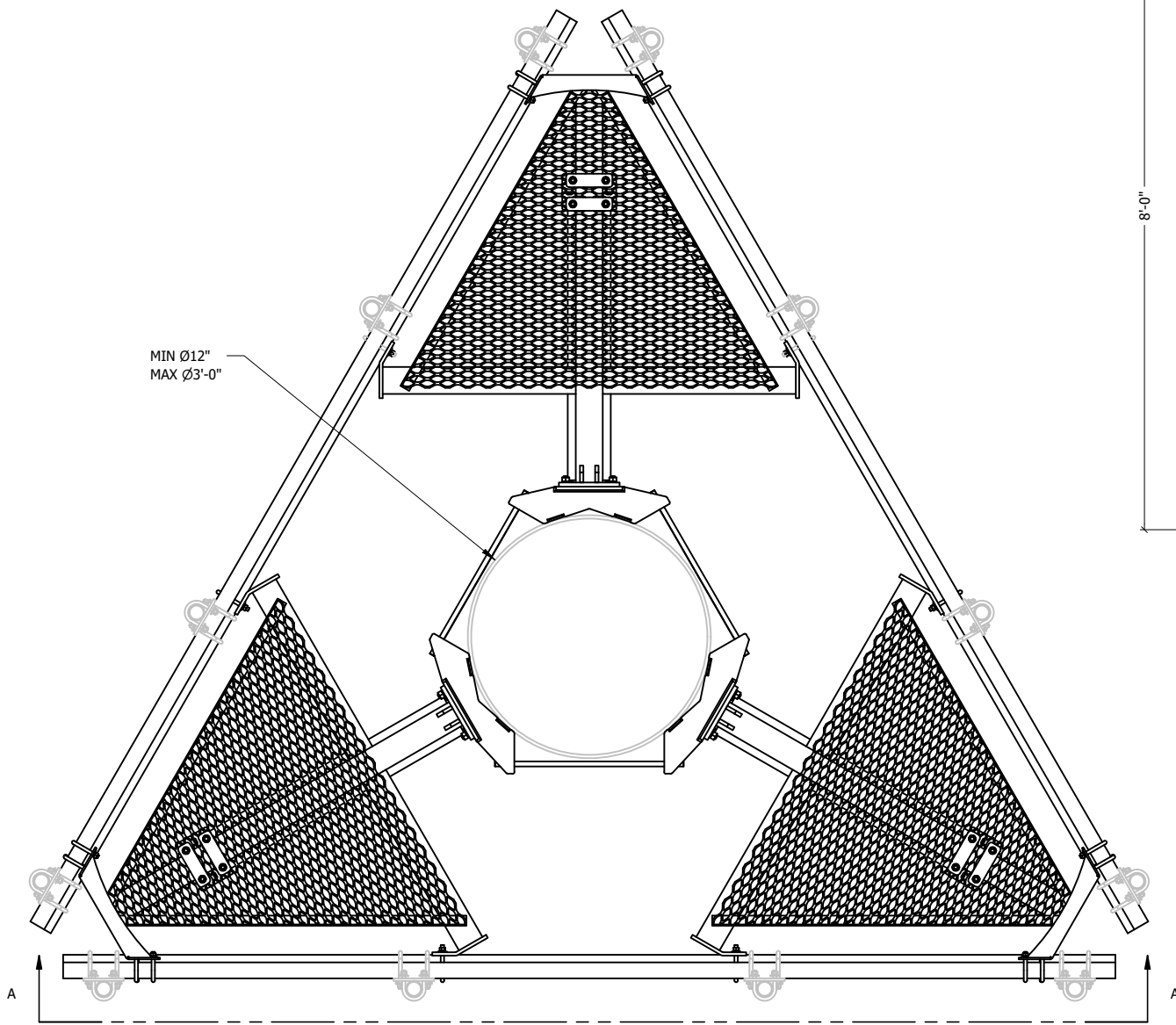
**NEWAVE**  
TOWER COMPONENTS, 503-792-3739  
10910 PORTLAND RD. BROOKS, OR 97305

TOTAL WT: 1713.45 LB  
QTY:  
FINISH:  
JOB #:

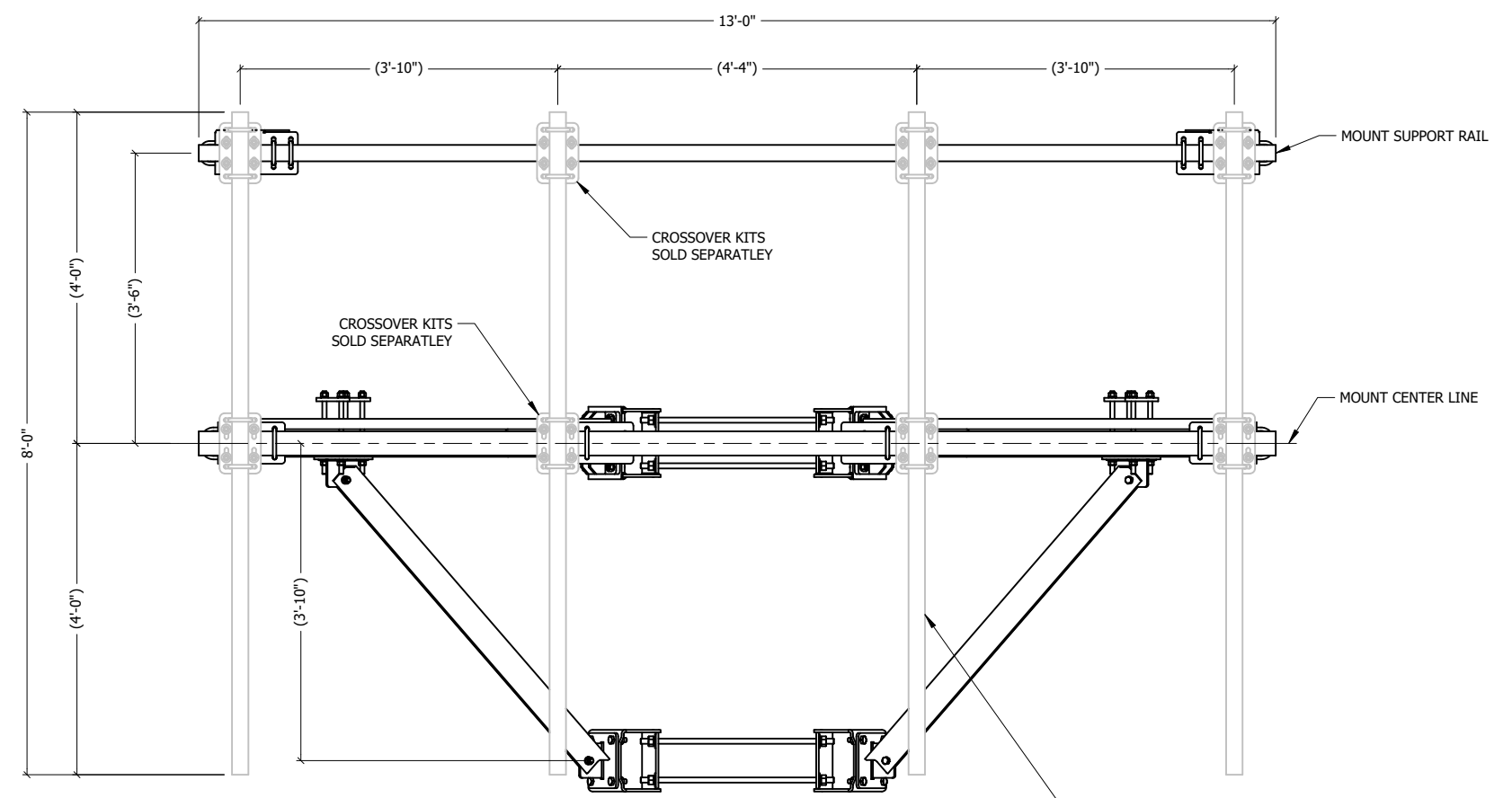
TITLE: 3-SECTOR PLATFORM W/ 5' STIFFENER KIT  
13' FACE, FITS 12" TO 36" O.D POLE

SERIES: MONOPOLE MOUNTING SHEET: 1 OF 2


DRAWN BY: KY DATE: 6/3/2022 CHK'D BY: -  
DRAWING NO. LPK12-S20



TOP VIEW



VIEW A-A

<p>THIS DESIGN AND INFORMATION CONTAINED ON THIS PRINT IS THE PROPERTY OF VALLEY FAB CORPORATION. ANY REPRODUCTION, DUPLICATION OR TRANSFER OF THE PROPRIETARY CONTENT IS PROHIBITED WITHOUT WRITTEN PERMISSION.</p>	
<p><b>STANDARD TOLERANCES:</b> (UNLESS OTHERWISE NOTED) FRACTIONS ±1/16" DECIMALS ±0.01" ANGLES ±0.5°</p>	 <p><b>NEWAVE</b> TOWER COMPONENTS, 503-792-3739 10910 PORTLAND RD. BROOKS, OR 97305</p>
<p>TOTAL WT: 1713.45 LB</p>	<p>QTY:</p>
<p>FINISH:</p>	<p>JOB #:</p>

<p>TITLE: <b>3-SECTOR PLATFORM W/ 5' STIFFENER KIT</b> 13' FACE, FITS 12" TO 36" O.D POLE</p>		<p>DRAWN BY: KY</p>	<p>DATE: 6/3/2022</p>	<p>CHK'D BY: -</p>
<p>SERIES: MONOPOLE MOUNTING</p>	<p>SHEET: 2 OF 2</p>	<p>DRAWING NO. LPK12-S20</p>		