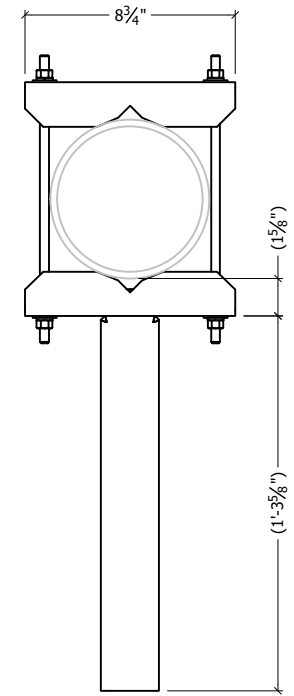
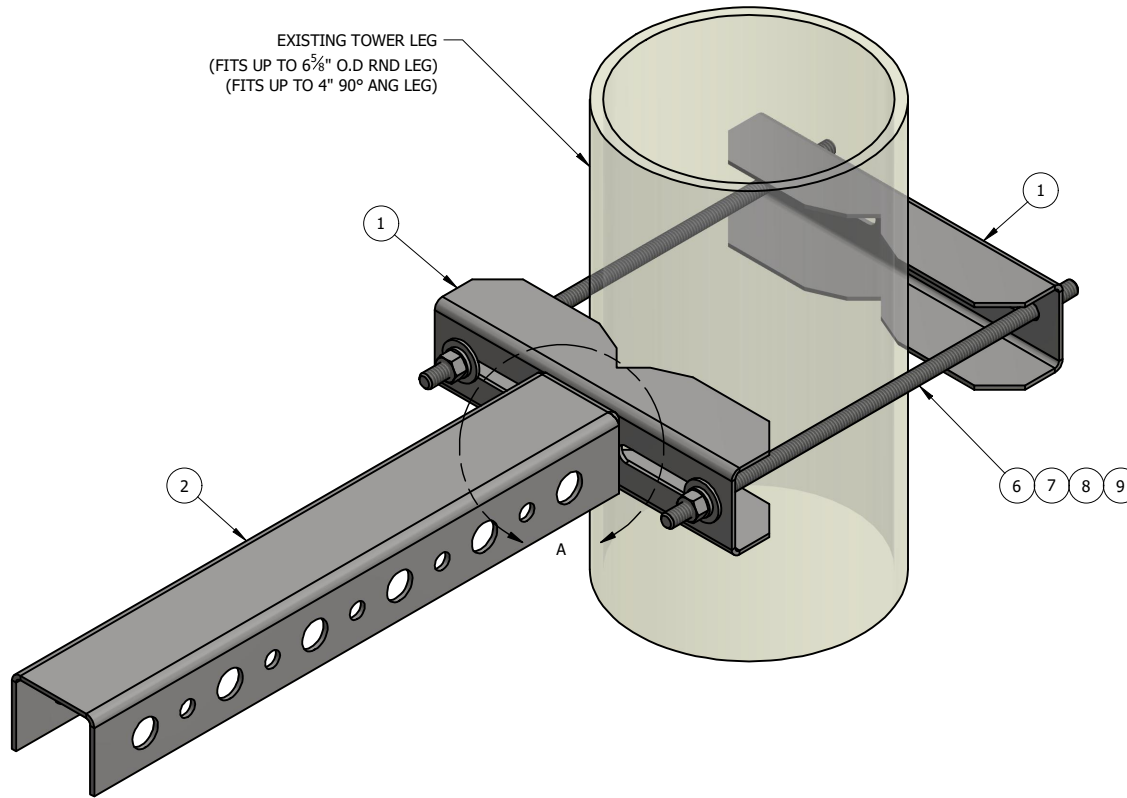
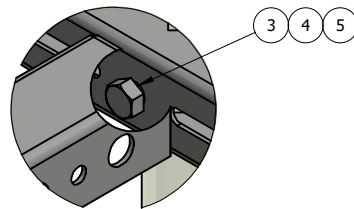


EXISTING TOWER LEG
(FITS UP TO 6 5/8" O.D RND LEG)
(FITS UP TO 4" 90° ANG LEG)



TOP VIEW



DETAIL - A

ITEM	PART #	QTY	DESCRIPTION	LENGTH	FINISH	UNIT WT
1	CA2000-6.01	2	12 GA SHEET METAL		HDG	1.28
2	CA2001.01	1	12-HOLE BOLT ON "T" BRACKET WELDMNT			3.07
3	27-4300-005	1	1/2" x 1 1/4" GR.5 HDG BOLT			0.12
4	27-5210-005	1	1/2 HDG LOCK WASHER			0.01
5	27-5222-005	1	1/2 HDG HEX NUT			0.04
6	TR38-12	2	3/8" x 12" A36 HDG ALL-THREAD	1'		0.38
7	27-5010-005	4	3/8 A36 HDG FLAT WASHER			0.01
8	27-5020-005	4	3/8 HDG LOCK WASHER			0.01
9	27-5030-005	4	3/8" HDG HEX NUT			0.02

THIS DESIGN AND INFORMATION CONTAINED ON THIS PRINT IS THE PROPERTY OF VALLEY FAB CORPORATION. ANY REPRODUCTION, DUPLICATION OR TRANSFER OF THE PROPRIETARY CONTENT IS PROHIBITED WITHOUT WRITTEN PERMISSION.

STANDARD TOLERANCES:

(UNLESS OTHERWISE NOTED)

FRACTIONS ±1/16"
DECIMALS ±0.01"
ANGLES ±0.5°



TOWER COMPONENTS. 503-792-3739
10910 PORTLAND RD. BROOKS, OR 97305

TOTAL WT: 6.7 LB

QTY:

FINISH: HDG

JOB #:

TITLE:

12-HOLE CABLE SUPPORT "T" BRACKET
FITS 1-1/2" TO 6-5/8" RND OR UP TO 4" 90° ANG

SERIES: COAX SUPPORT

SHEET: 1 OF 1

DRAWN BY:

KY

DATE:

3/10/2023

CHK'D BY:

-

DRAWING NO.

CA2001-6