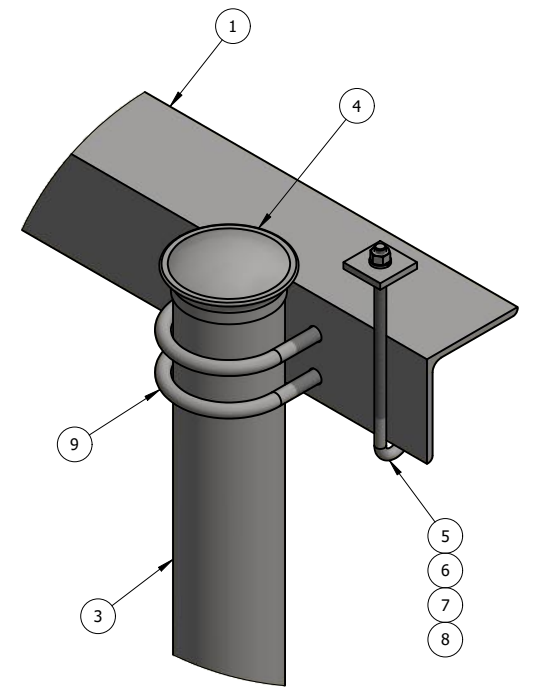


SIDE VIEW



NOTE: ONE GRIP STRUT NOT SHOWN FOR CLARITY



DETAIL-A

ITEM	PART #	QTY	DESCRIPTION	LENGTH	FINISH	UNIT WT
1	IC10.01	2	L4x4x1/4"	10'	HDG	66.32
3	P35-160	4	3" STD PIPE	13'-4"	HDG	101.12
4	PC35	4	3-1/2" O.D PIPE CAP		HDG	0.30
2	WB5014-10	5	2' x 3" x 12 GA GRIP STRUT	10'	G90	111.02
5	SFW-716G	20	1/4" PLATE		HDG	0.18
6	27-5190-005	20	GALV. 3/8" x 8" J-BOLT W/ 3/4" SPACING			0.31
7	27-5020-005	20	3/8 HDG LOCK WASHER			0.01
8	27-5030-005	20	3/8" HDG HEX NUT			0.02
9	27-6090-005	8	GALV. 1/2" x 3 5/8" x 5" U-BOLT ASSEMBLY			0.90

TITLE: ICE CANOPY 10' x 10' W/ 13'-4" DIRECT BURIAL POSTS		DRAWN BY: WJ	DATE: 9/26/2019	CHK'D BY: KY
SERIES: ICE CANOPY		DRAWING NO. IC1010-DB134		SHEET: 1 OF 1

THIS DESIGN AND INFORMATION CONTAINED ON THIS PRINT IS THE PROPERTY OF VALLEY FAB CORPORATION. ANY REPRODUCTION, DUPLICATION OR TRANSFER OF THE PROPRIETARY CONTENT IS PROHIBITED WITHOUT WRITTEN PERMISSION.

STANDARD TOLERANCES:
 (UNLESS OTHERWISE NOTED)
 FRACTIONS ±1/16"
 DECIMALS ±0.01"
 ANGLES ±0.5°

NEWAVE
 TOWER COMPONENTS, 503-792-3739
 10910 PORTLAND RD. BROOKS, OR 97305

TOTAL WT: 1110.95 LB
 QTY:
 FINISH:
 JOB #: