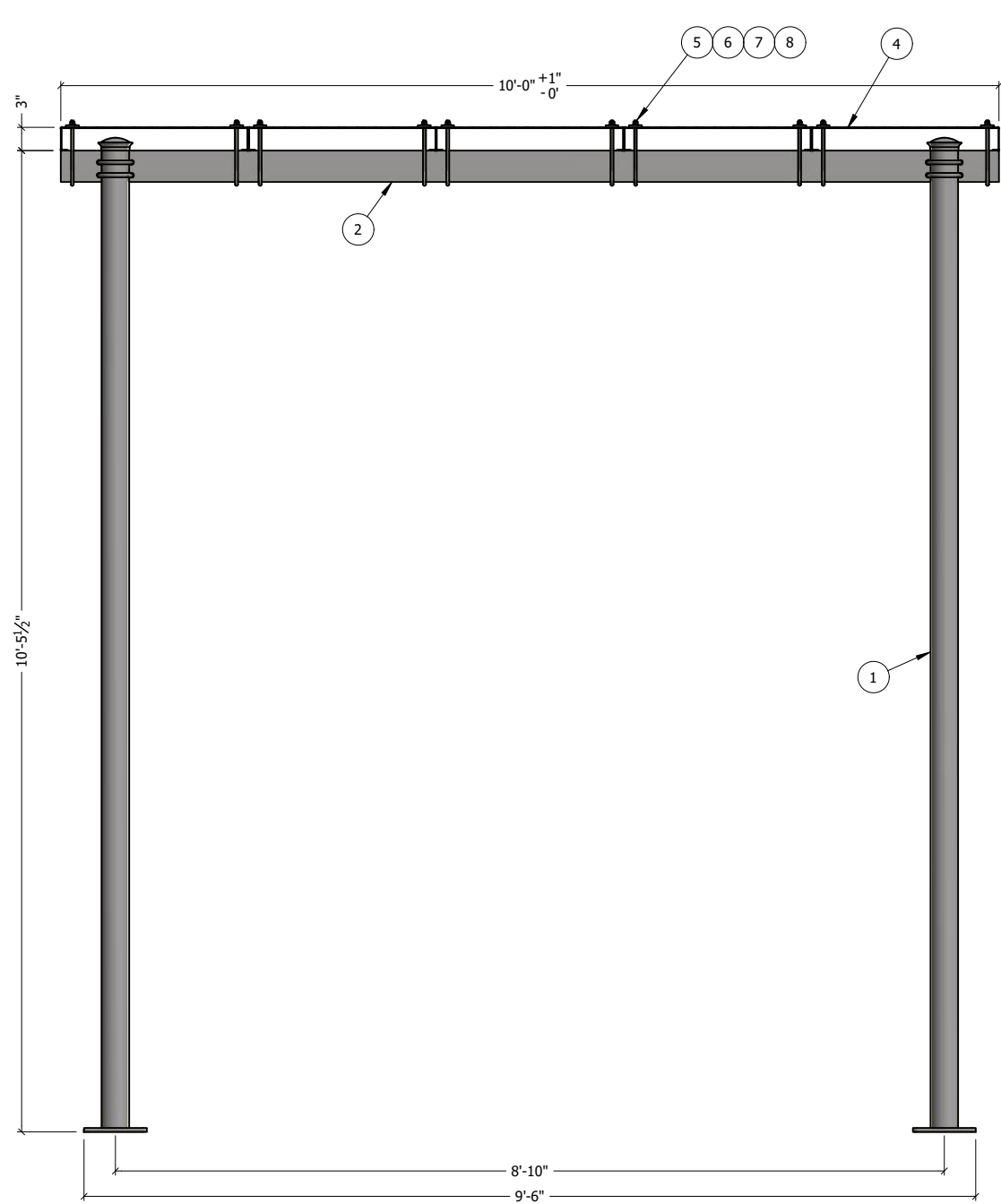
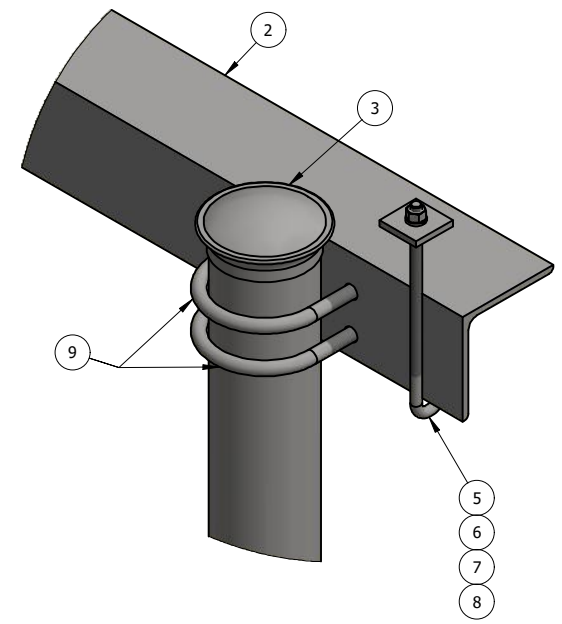


REV	BY	DESCRIPTION	DATE
A	RAJ	SEE IPROPERTIES FOR DETAILS	10/15/2021



SIDE VIEW



DETAIL-A

ITEM	PART #	QTY	DESCRIPTION	LENGTH	FINISH	UNIT WT
1	BSP104H	4	4-HOLE BASE SHOE POST x 10'-6"		HDG	87.98
2	IC10.01	2	L4x4x1/4"	10'	HDG	66.32
3	PC35	4	3-1/2" O.D PIPE CAP		HDG	0.30
4	WB5014-12	5	2' x 3" x 12 GA GRIP STRUT	12'	G90 HDG	133.21
5	SFW-716G	20	1/4" PLATE		HDG	0.18
6	27-5190-005	20	GALV. 3/8" x 8" J-BOLT W/ 3/4" SPACING			0.31
7	27-5020-005	20	3/8 HDG LOCK WASHER			0.01
8	27-5030-005	20	3/8" HDG HEX NUT			0.02
9	27-6090-005	8	GALV. 1/2" x 3 5/8" x 5" U-BOLT ASSEMBLY			0.90

THIS DESIGN AND INFORMATION CONTAINED ON THIS PRINT IS THE PROPERTY OF VALLEY FAB CORPORATION. ANY REPRODUCTION, DUPLICATION OR TRANSFER OF THE PROPRIETARY CONTENT IS PROHIBITED WITHOUT WRITTEN PERMISSION.

STANDARD TOLERANCES:
(UNLESS OTHERWISE NOTED)
FRACTIONS ±1/16"
DECIMALS ±0.01"
ANGLES ±0.5°

NEWAVE
TOWER COMPONENTS, 503-792-3739
10910 PORTLAND RD. BROOKS, OR 97305

TOTAL WT: 1169.35 LB
QTY:
FINISH: HDG
JOB #:

TITLE:	ICE CANOPY 10' x 12' W/ 10'-6' BASE SHOE POSTS, 4-HOLE	DRAWN BY:	WJ	DATE:	9/25/2019	CHK'D BY:	
SERIES:	ICE CANOPY	DRAWING NO.:	IC1012-BP104H		SHEET:	1 OF 1	