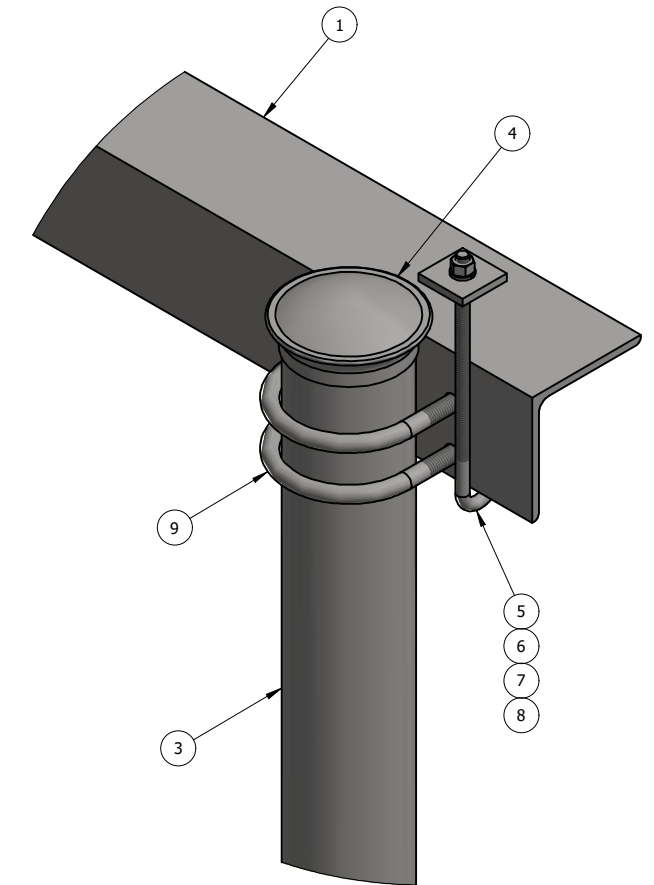




NOTE: ONE GRIP STRUT NOT SHOWN FOR CLARITY



DETAIL-A

ITEM	PART #	QTY	DESCRIPTION	LENGTH	FINISH	UNIT WT
1	IC12.01	2	L4x4x1/4"	12'-1"	HDG	80.10
2	WB5014-12	6	2' x 3' x 12 GA GRIP STRUT	12'	G90 HDG	133.21
3	BSP104H	6	4-HOLE BASE SHOE POST x 10'-6"		HDG	87.98
4	PC35	6	3-1/2" O.D PIPE CAP		HDG	0.30
5	27-5190-005	24	GALV. 3/8" x 8" J-BOLT W/ 3/4" SPACING			0.31
6	SFW-716G	24	1/4" PLATE		HDG	0.18
7	27-5020-005	24	3/8 HDG LOCK WASHER			0.01
8	27-5030-005	24	3/8" HDG HEX NUT			0.02
9	27-6090-005	12	GALV. 1/2" x 3 5/8" x 5" U-BOLT ASSEMBLY			0.90

THIS DESIGN AND INFORMATION CONTAINED ON THIS PRINT IS THE PROPERTY OF VALLEY FAB CORPORATION. ANY REPRODUCTION, DUPLICATION OR TRANSFER OF THE PROPRIETARY CONTENT IS PROHIBITED WITHOUT WRITTEN PERMISSION.

**STANDARD TOLERANCES:**  
(UNLESS OTHERWISE NOTED)  
FRACTIONS ±1/16"  
DECIMALS ±0.01"  
ANGLES ±0.5°



TOTAL WT: 1512.35 LB  
QTY:  
FINISH:  
JOB #:

TITLE: <b>ICE CANOPY 12' x 12' W/ 10'-6' BASE SHOE POSTS, 4-HOLE</b>		DRAWN BY: <b>KY</b>	DATE: <b>9/25/2019</b>	CHK'D BY: <b>-</b>
SERIES: ICE CANOPY	SHEET: 1 OF 2	DRAWING NO. <b>IC1212-BP104H</b>		