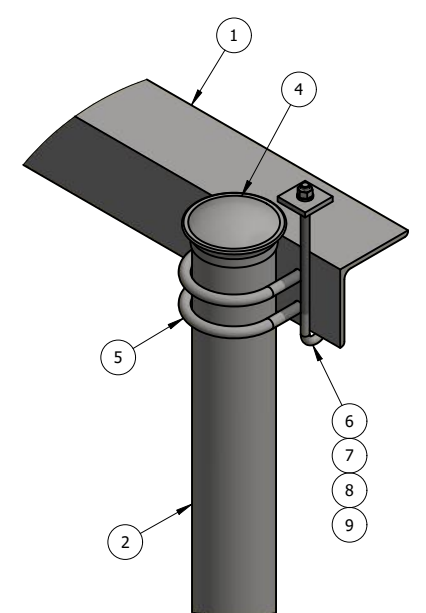
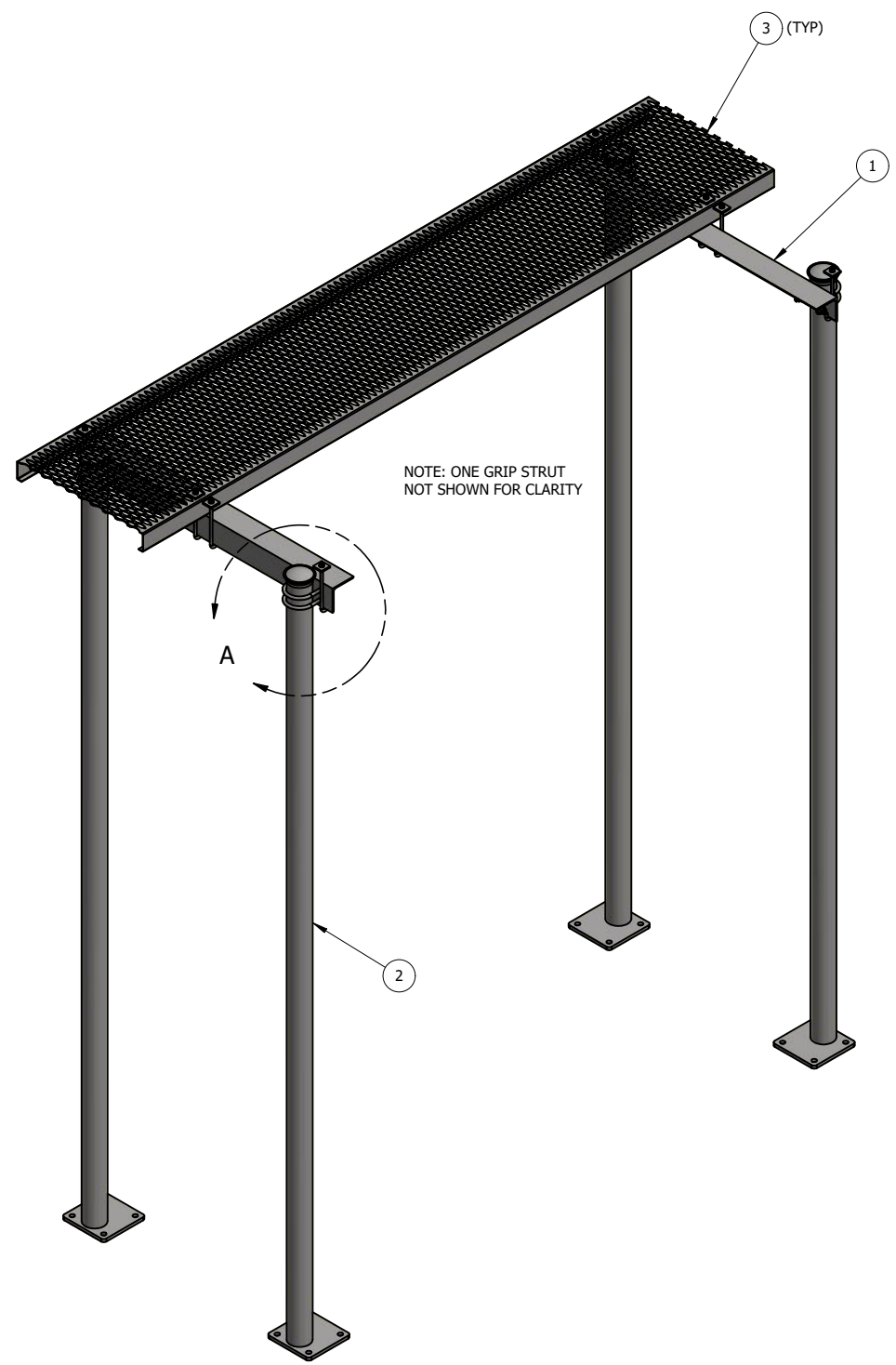


SIDE VIEW



DETAIL A

ITEM	PART #	QTY	DESCRIPTION	LENGTH	FINISH	UNIT WT
1	IC4.01	2	L4x4x1/4"	4'	HDG	26.44
2	BSP104H	4	4-HOLE BASE SHOE POST x 10'-6"		HDG	87.98
3	WB5014-10	2	2' x 3" x 12 GA GRIP STRUT	10'	G90	111.02
4	PC35	4	3-1/2" O.D PIPE CAP		HDG	0.30
5	27-6090-005	8	GALV. 1/2" x 3 5/8" x 5" U-BOLT ASSEMBLY			0.90
6	27-5190-005	8	GALV. 3/8" x 8" J-BOLT W/ 3/4" SPACING			0.31
7	SFW-716G	8	1/4" PLATE		HDG	0.18
8	27-5020-005	8	3/8 HDG LOCK WASHER			0.01
9	27-5030-005	8	3/8" HDG HEX NUT			0.02

<b>TOTAL WT:</b> 639.4 LB <b>QTY:</b> <b>FINISH:</b> <b>JOB #:</b>		<b>TITLE:</b> ICE CANOPY 4' x 10' W/ 10'-6' BASE SHOE POSTS, 4-HOLE SERIES: ICE CANOPY	<b>DRAWN BY:</b> KY <b>DATE:</b> 11/18/2021 <b>DRAWING NO.:</b> IC410-BP104H	<b>CHK'D BY:</b> -
SHEET: 1 OF 1				

THIS DESIGN AND INFORMATION CONTAINED ON THIS PRINT IS THE PROPERTY OF VALLEY FAB CORPORATION. ANY REPRODUCTION, DUPLICATION OR TRANSFER OF THE PROPRIETARY CONTENT IS PROHIBITED WITHOUT WRITTEN PERMISSION.

**STANDARD TOLERANCES:**  
 (UNLESS OTHERWISE NOTED)  
 FRACTIONS ±1/16"  
 DECIMALS ±0.01"  
 ANGLES ±0.5°

**NEWAVE**  
 TOWER COMPONENTS, 503-792-3739  
 10910 PORTLAND RD. BROOKS, OR 97305