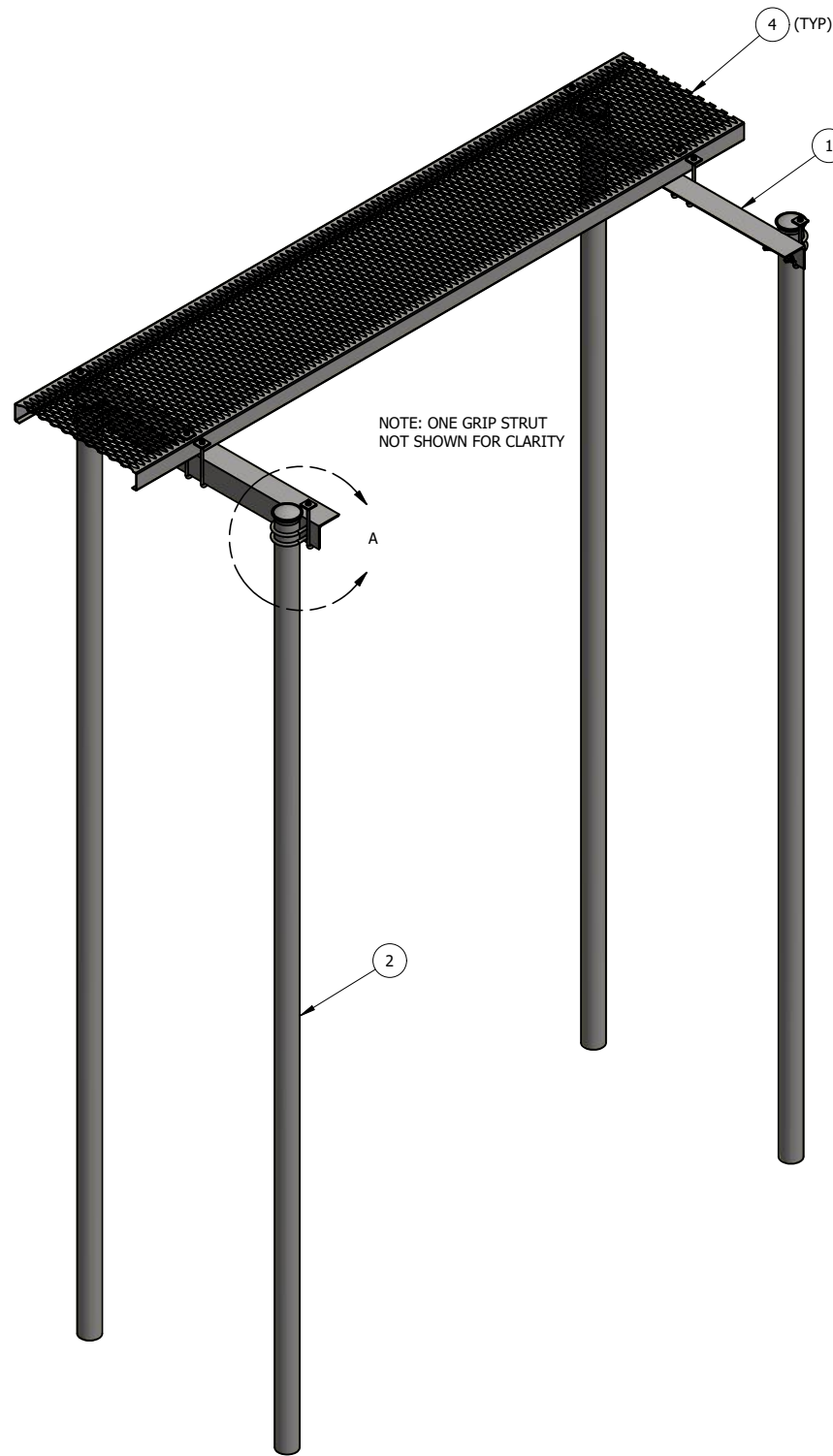
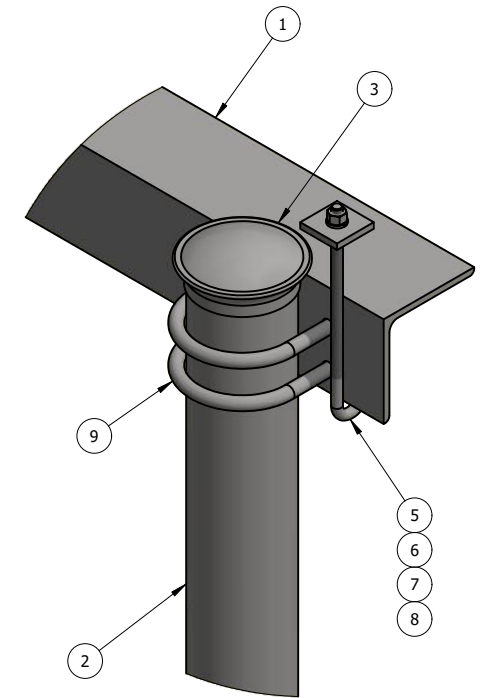


SIDE VIEW



NOTE: ONE GRIP STRUT NOT SHOWN FOR CLARITY



DETAIL A

ITEM	PART #	QTY	DESCRIPTION	LENGTH	FINISH	UNIT WT
1	IC4.01	2	L4x4x1/4"	4'	HDG	26.44
2	P35-160	4	3" STD PIPE	13'-4"	HDG	101.12
3	PC35	4	3-1/2" O.D PIPE CAP		HDG	0.30
4	WB5014-10	2	2' x 3" x 12 GA GRIP STRUT	10'	G90	111.02
5	SFW-716G	8	1/4" PLATE		HDG	0.18
6	27-5190-005	8	GALV. 3/8" x 8" J-BOLT W/ 3/4" SPACING			0.31
7	27-5020-005	8	3/8 HDG LOCK WASHER			0.01
8	27-5030-005	8	3/8" HDG HEX NUT			0.02
9	27-6090-005	8	GALV. 1/2" x 3 5/8" x 5" U-BOLT ASSEMBLY			0.90

THIS DESIGN AND INFORMATION CONTAINED ON THIS PRINT IS THE PROPERTY OF VALLEY FAB CORPORATION. ANY REPRODUCTION, DUPLICATION OR TRANSFER OF THE PROPRIETARY CONTENT IS PROHIBITED WITHOUT WRITTEN PERMISSION.

**STANDARD TOLERANCES:**  
(UNLESS OTHERWISE NOTED)  
FRACTIONS ±1/16"  
DECIMALS ±0.01"  
ANGLES ±0.5°



TOWER COMPONENTS, 503-792-3739  
10910 PORTLAND RD. BROOKS, OR 97305

TOTAL WT: 691.95 LB

QTY:

FINISH:

JOB #:

TITLE:	ICE CANOPY 4' x 10' W/ 13'-4" DIRECT BURIAL POSTS	DRAWN BY:	DATE:	CHK'D BY:
SERIES:	ICE CANOPY	KY	11/18/2021	-
		DRAWING NO.	IC410-DB134	
		SHEET:	1 OF 1	