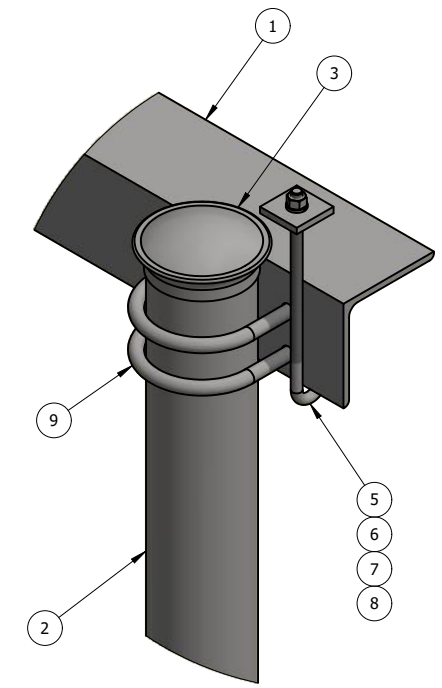


SIDE VIEW



NOTE: ONE GRIP STRUT NOT SHOWN FOR CLARITY

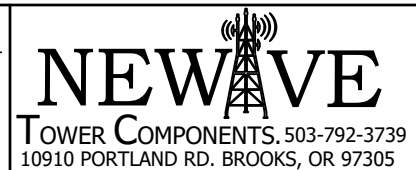


DETAIL A

ITEM	PART #	QTY	DESCRIPTION	LENGTH	FINISH	UNIT WT
1	IC4.01	2	L4x4x1/4"	4'	HDG	26.44
2	P35-160	4	3" STD PIPE	13'-4"	HDG	101.12
3	PC35	4	3-1/2" O.D PIPE CAP		HDG	0.30
4	WB5014-12	2	2' x 3" x 12 GA GRIP STRUT	12'	G90 HDG	133.21
5	SFW-716G	8	1/4" PLATE		HDG	0.18
6	27-5190-005	8	GALV. 3/8" x 8" J-BOLT W/ 3/4" SPACING			0.31
7	27-5020-005	8	3/8 HDG LOCK WASHER			0.01
8	27-5030-005	8	3/8" HDG HEX NUT			0.02
9	27-6090-005	8	GALV. 1/2" x 3 5/8" x 5" U-BOLT ASSEMBLY			0.90

THIS DESIGN AND INFORMATION CONTAINED ON THIS PRINT IS THE PROPERTY OF VALLEY FAB CORPORATION. ANY REPRODUCTION, DUPLICATION OR TRANSFER OF THE PROPRIETARY CONTENT IS PROHIBITED WITHOUT WRITTEN PERMISSION.

**STANDARD TOLERANCES:**  
 (UNLESS OTHERWISE NOTED)  
 FRACTIONS ±1/16"  
 DECIMALS ±0.01"  
 ANGLES ±0.5°



TOTAL WT: 736.35 LB  
 QTY:  
 FINISH:  
 JOB #:

TITLE: ICE CANOPY 4' x 12' W/ 13'-4" DIRECT BURIAL POSTS		DRAWN BY: KY	DATE: 11/18/2021	CHK'D BY: -
SERIES: ICE CANOPY	SHEET: 1 OF 1	DRAWING NO. IC412-DB134		