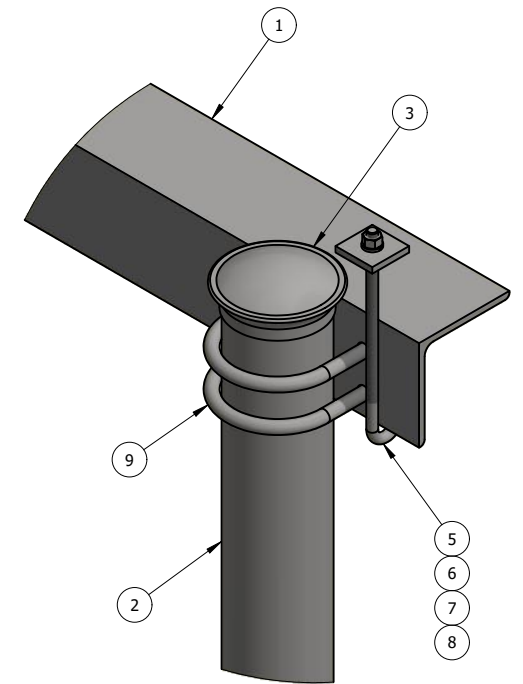


SIDE VIEW



DETAIL A

THIS DESIGN AND INFORMATION CONTAINED ON THIS PRINT IS THE PROPERTY OF VALLEY FAB CORPORATION. ANY REPRODUCTION, DUPLICATION OR TRANSFER OF THE PROPRIETARY CONTENT IS PROHIBITED WITHOUT WRITTEN PERMISSION.

STANDARD TOLERANCES:
 (UNLESS OTHERWISE NOTED)
 FRACTIONS ±1/16"
 DECIMALS ±0.01"
 ANGLES ±0.5°

NEWAVE
 TOWER COMPONENTS, 503-792-3739
 10910 PORTLAND RD. BROOKS, OR 97305

TOTAL WT: 971.3 LB
 QTY:
 FINISH:
 JOB #:

| ITEM | PART # | QTY | DESCRIPTION | LENGTH | FINISH | UNIT WT |
|------|-------------|-----|--|--------|--------|---------|
| 1 | IC8.01 | 2 | L4x4x1/4" | 8' | HDG | 53.03 |
| 2 | P35-160 | 4 | 3" STD PIPE | 13'-4" | HDG | 101.12 |
| 3 | PC35 | 4 | 3-1/2" O.D PIPE CAP | | HDG | 0.30 |
| 4 | WB5014-10 | 4 | 2' x 3" x 12 GA GRIP STRUT | 10' | G90 | 111.02 |
| 5 | SFW-716G | 16 | 1/4" PLATE | | HDG | 0.18 |
| 6 | 27-5190-005 | 16 | GALV. 3/8" x 8" J-BOLT W/ 3/4" SPACING | | | 0.31 |
| 7 | 27-5020-005 | 16 | 3/8 HDG LOCK WASHER | | | 0.01 |
| 8 | 27-5030-005 | 16 | 3/8" HDG HEX NUT | | | 0.02 |
| 9 | 27-6090-005 | 8 | GALV. 1/2" x 3 5/8" x 5" U-BOLT ASSEMBLY | | | 0.90 |

TITLE: ICE CANOPY 8' x 10' W/ 13'-4" DIRECT BURIAL POSTS

SERIES: ICE CANOPY SHEET: 1 OF 1

DRAWN BY: WJ DATE: 9/26/2019 CHK'D BY: KY
 DRAWING NO. IC810-DB134