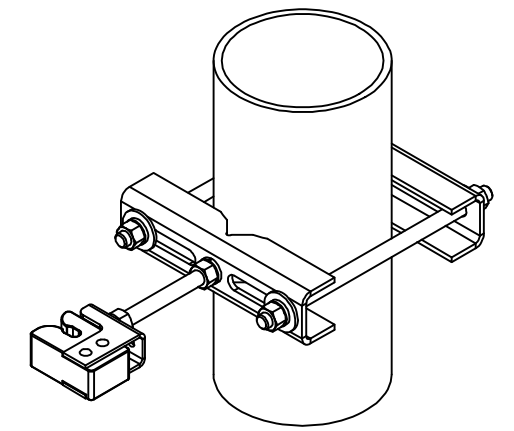


SAFETY CLIMB ROUTING ACCESSORY:

SOLD SEPERATE



CGUC-5-6

| ITEM | PART # | QTY | DESCRIPTION | LENGTH | FINISH | UNIT WT |
|------|---------------|-----|--|--------|---------|---------|
| 1 | AM1004.01 | 2 | V-FRAME WELDMENT | | HDG | 46.58 |
| 2 | AM1004.07 | 2 | 1/2" PLATE | | BARE | 7.39 |
| 3 | AM1004.08 | 2 | 3/8" PLATE | | BARE | 8.91 |
| 4 | AM1028-U.02 | 2 | 3/8" PLATE | | HDG | 12.65 |
| 5 | AM1028-4R.01 | 2 | UNIVERSAL CLAMP PLATE WELDMENT | | HDG | 7.38 |
| 6 | AM1028-4U.01 | 4 | 1/4" PLATE | | HDG | 2.07 |
| 7 | AM1030-23M.02 | 1 | STIFF ARM HALF CLAMP WELDMENT | | HDG | 0.92 |
| 8 | AM1030-23M.03 | 1 | 1/4" PLATE | | SEE W/O | 0.58 |
| 9 | AM1031.03 | 2 | 1/4" PLATE | | HDG | 1.79 |
| 10 | AM1031HD.03 | 2 | 3/16" PLATE | | HDG | 1.58 |
| 11 | P23-126 | 2 | 2" STD PIPE | 10'-6" | HDG | 38.40 |
| 12 | P178-126 | 1 | 1 1/2" STD PIPE | 10'-6" | HDG | 28.57 |
| 13 | 27-4403-005 | 8 | 5/8 x 2 GR.5 HDG BOLT | | | 0.27 |
| 14 | 27-5370-005 | 10 | HDG - 5/8" FLAT WASHER, USS | | | 0.08 |
| 15 | 27-5380-005 | 8 | 5/8 HDG LOCK WASHER | | | 0.03 |
| 16 | 27-5391-005 | 8 | 5/8" HDG HEX NUT | | | 0.08 |
| 17 | TR12-10 | 2 | 1/2" x 10" A36 HDG ALL-THREAD | 10" | | 0.56 |
| 18 | 27-4320-005 | 8 | GALV. 1/2" x 7" GR.5 FULL THREADED BOLT | | | 0.44 |
| 19 | 27-4310-005 | 2 | GALV. 1/2" x 4" GR.5 FULL THREADED BOLT | | | 0.27 |
| 20 | 27-4303-005 | 8 | 1/2" x 2" GR.5 HDG BOLT | | | 0.16 |
| 21 | 27-4300-005 | 2 | 1/2" x 1 1/4" GR.5 HDG BOLT | | | 0.12 |
| 22 | 27-5200-005 | 32 | HDG - 1/2" FLAT WASHER, USS | | | 0.04 |
| 23 | 27-5210-005 | 32 | 1/2 HDG LOCK WASHER | | | 0.01 |
| 24 | 27-5222-005 | 32 | 1/2 HDG HEX NUT | | | 0.04 |
| 25 | 27-6060-005 | 4 | HDG - 1/2" x 2-1/2" x 4" U-BOLT ASSEMBLY | | HDG | 0.76 |
| 26 | 27-6040-005 | 4 | GALV. 3/8" x 2" x 4" U-BOLT ASSEMBLY | | | 0.38 |

THIS DESIGN AND INFORMATION CONTAINED ON THIS PRINT IS THE PROPERTY OF VALLEY FAB CORPORATION. ANY REPRODUCTION, DUPLICATION OR TRANSFER OF THE PROPRIETARY CONTENT IS PROHIBITED WITHOUT WRITTEN PERMISSION.

STANDARD TOLERANCES:
(UNLESS OTHERWISE NOTED)
FRACTIONS ±1/16"
DECIMALS ±0.01"
ANGLES ±0.5°



TOWER COMPONENTS, 503-792-3739
10910 PORTLAND RD. BROOKS, OR 97305

TOTAL WT: 305.8 LB

QTY:

FINISH:

JOB #:

TITLE:
10'-6" PIPE FACE, V-FRAME, ADJ. TAPER, FITS
1-1/2" TO 5" O.D ROUND LEG, SINGLE STIFF-ARM

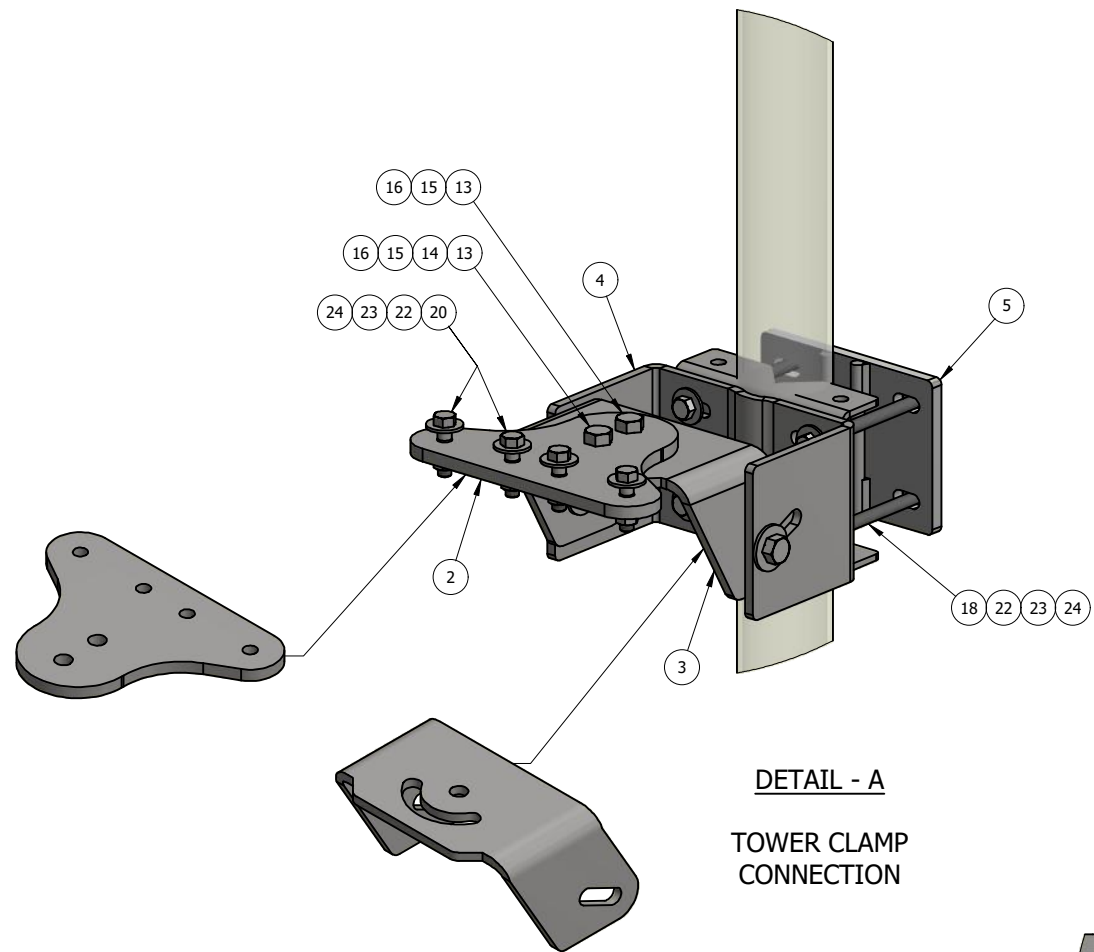
SERIES: TOWER ANTENNA MOUNT

DRAWN BY: KY DATE: 7/27/2022

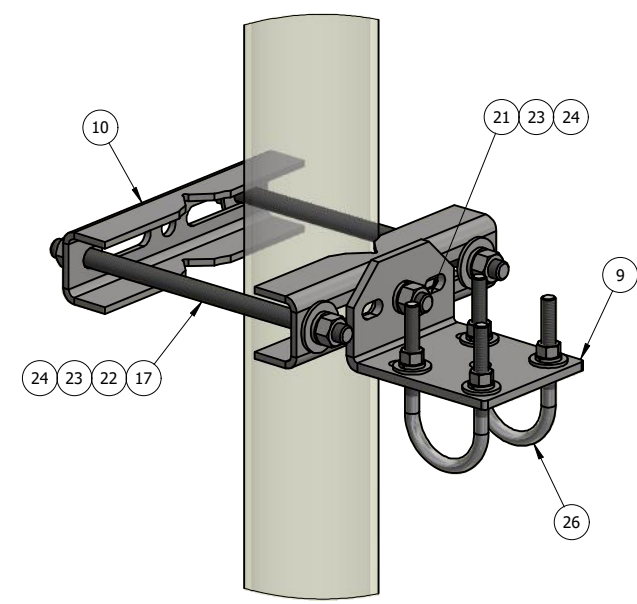
CHK'D BY: -

DRAWING NO. AM1004-10S

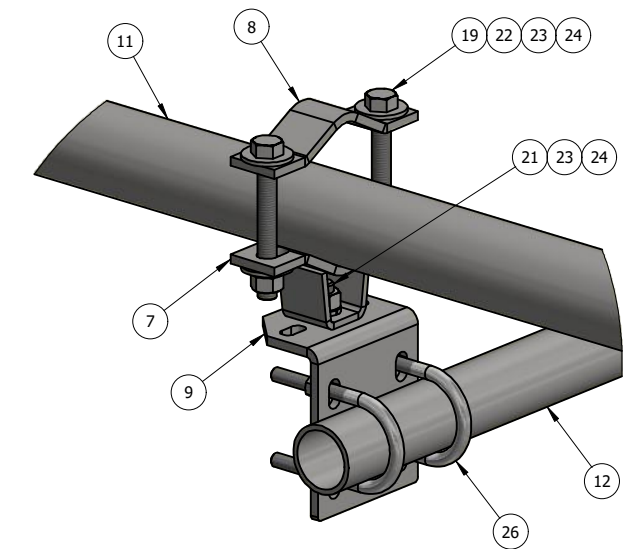
SHEET: 1 OF 3



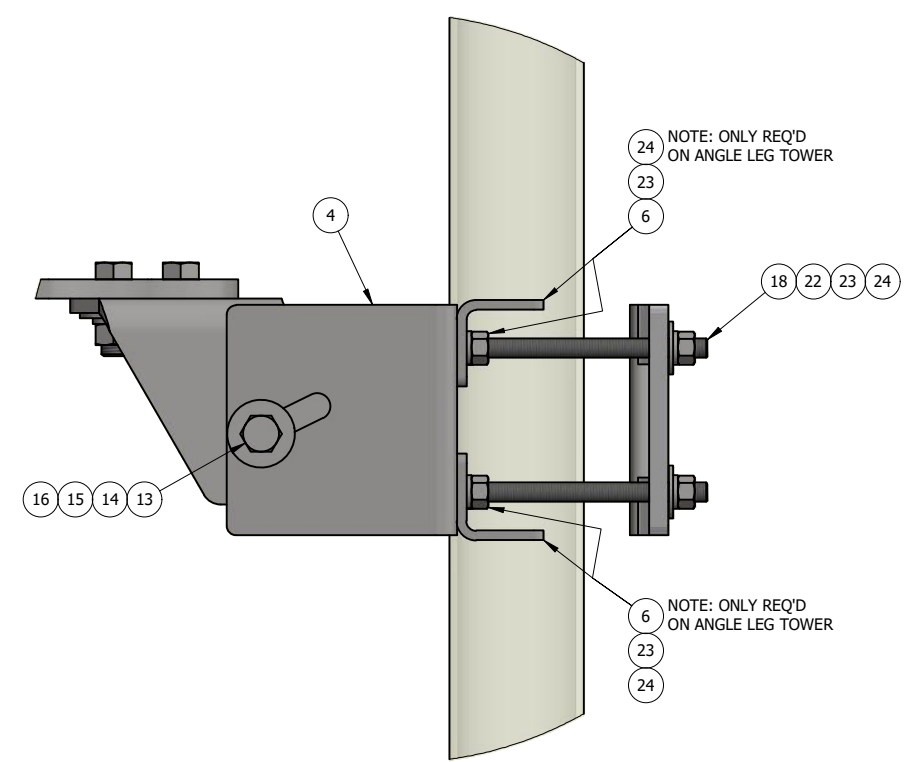
DETAIL - A
TOWER CLAMP CONNECTION



DETAIL - B
STIFF ARM
TOWER LEG
CONNECTION



DETAIL - C
STIFF ARM
PIPE FACE
CONNECTION



DETAIL - A
SIDE VIEW

| ITEM | PART # | QTY | DESCRIPTION | LENGTH | FINISH | UNIT WT |
|------|---------------|-----|--|--------|---------|---------|
| 1 | AM1004.01 | 2 | V-FRAME WELDMENT | | HDG | 46.58 |
| 2 | AM1004.07 | 2 | 1/2" PLATE | | BARE | 7.39 |
| 3 | AM1004.08 | 2 | 3/8" PLATE | | BARE | 8.91 |
| 4 | AM1028-U.02 | 2 | 3/8" PLATE | | HDG | 12.65 |
| 5 | AM1028-4R.01 | 2 | UNIVERSAL CLAMP PLATE WELDMENT | | HDG | 7.38 |
| 6 | AM1028-4U.01 | 4 | 1/4" PLATE | | HDG | 2.07 |
| 7 | AM1030-23M.02 | 1 | STIFF ARM HALF CLAMP WELDMENT | | HDG | 0.92 |
| 8 | AM1030-23M.03 | 1 | 1/4" PLATE | | SEE W/O | 0.58 |
| 9 | AM1031.03 | 2 | 1/4" PLATE | | HDG | 1.79 |
| 10 | AM1031HD.03 | 2 | 3/16" PLATE | | HDG | 1.58 |
| 11 | P23-126 | 2 | 2" STD PIPE | 10'-6" | HDG | 38.40 |
| 12 | P178-126 | 1 | 1 1/2" STD PIPE | 10'-6" | HDG | 28.57 |
| 13 | 27-4403-005 | 8 | 5/8 x 2 GR.5 HDG BOLT | | | 0.27 |
| 14 | 27-5370-005 | 10 | HDG - 5/8" FLAT WASHER, USS | | | 0.08 |
| 15 | 27-5380-005 | 8 | 5/8 HDG LOCK WASHER | | | 0.03 |
| 16 | 27-5391-005 | 8 | 5/8" HDG HEX NUT | | | 0.08 |
| 17 | TR12-10 | 2 | 1/2" x 10" A36 HDG ALL-THREAD | 10" | | 0.56 |
| 18 | 27-4320-005 | 8 | GALV. 1/2" x 7" GR.5 FULL THREADED BOLT | | | 0.44 |
| 19 | 27-4310-005 | 2 | GALV. 1/2" x 4" GR.5 FULL THREADED BOLT | | | 0.27 |
| 20 | 27-4303-005 | 8 | 1/2" x 2" GR.5 HDG BOLT | | | 0.16 |
| 21 | 27-4300-005 | 2 | 1/2" x 1 1/4" GR.5 HDG BOLT | | | 0.12 |
| 22 | 27-5200-005 | 32 | HDG - 1/2" FLAT WASHER, USS | | | 0.04 |
| 23 | 27-5210-005 | 32 | 1/2 HDG LOCK WASHER | | | 0.01 |
| 24 | 27-5222-005 | 32 | 1/2 HDG HEX NUT | | | 0.04 |
| 25 | 27-6060-005 | 4 | HDG - 1/2" x 2-1/2" x 4" U-BOLT ASSEMBLY | | HDG | 0.76 |
| 26 | 27-6040-005 | 4 | GALV. 3/8" x 2" x 4" U-BOLT ASSEMBLY | | | 0.38 |

THIS DESIGN AND INFORMATION CONTAINED ON THIS PRINT IS THE PROPERTY OF VALLEY FAB CORPORATION. ANY REPRODUCTION, DUPLICATION OR TRANSFER OF THE PROPRIETARY CONTENT IS PROHIBITED WITHOUT WRITTEN PERMISSION.

STANDARD TOLERANCES:
(UNLESS OTHERWISE NOTED)
FRACTIONS ±1/16"
DECIMALS ±0.01"
ANGLES ±0.5°

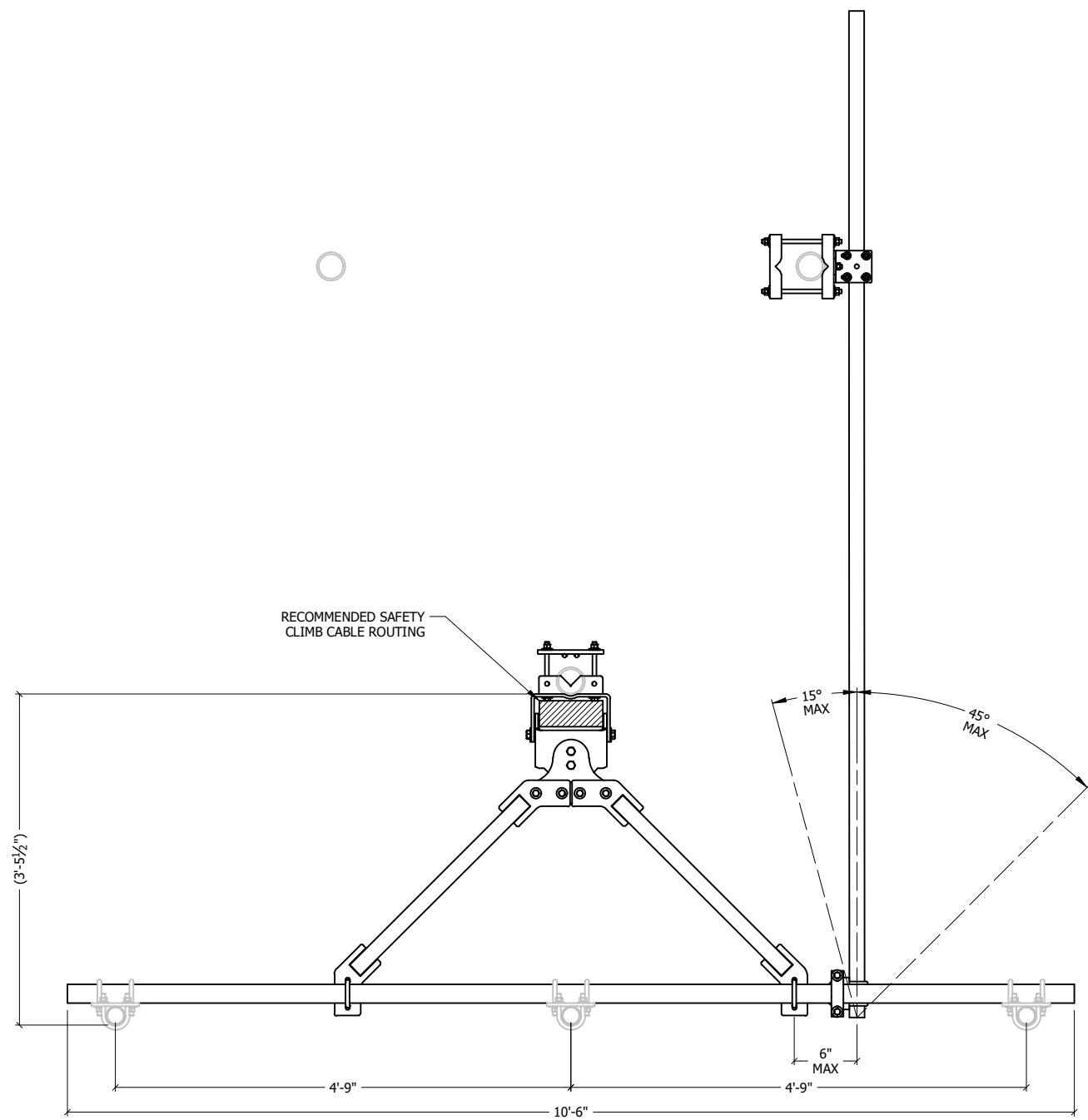
NEWAVE
TOWER COMPONENTS, 503-792-3739
10910 PORTLAND RD. BROOKS, OR 97305

TOTAL WT: 305.8 LB
QTY:
FINISH:
JOB #:

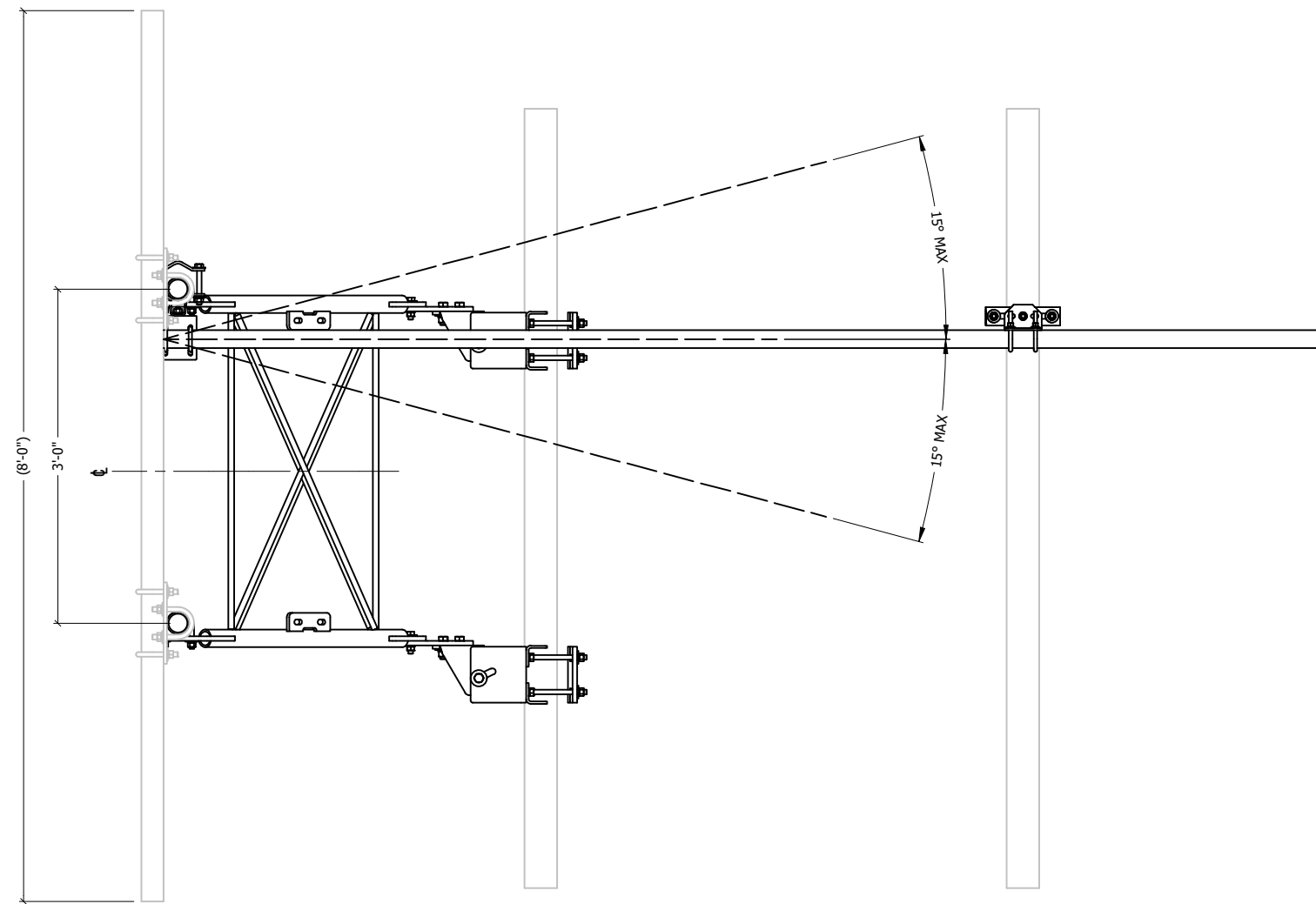
TITLE: 10'-6" PIPE FACE, V-FRAME, ADJ. TAPER, FITS 1-1/2" TO 5" O.D ROUND LEG, SINGLE STIFF-ARM

SERIES: TOWER ANTENNA MOUNT SHEET: 2 OF 3


DRAWN BY: KY DATE: 7/27/2022 CHK'D BY: -
DRAWING NO. AM1004-10S



TOP VIEW



SIDE VIEW

| | |
|---|---|
| THIS DESIGN AND INFORMATION CONTAINED ON THIS PRINT IS THE PROPERTY OF VALLEY FAB CORPORATION. ANY REPRODUCTION, DUPLICATION OR TRANSFER OF THE PROPRIETARY CONTENT IS PROHIBITED WITHOUT WRITTEN PERMISSION. | |
| STANDARD TOLERANCES: (UNLESS OTHERWISE NOTED) FRACTIONS ±1/16" DECIMALS ±0.01" ANGLES ±0.5° |  NEWAVE TOWER COMPONENTS, 503-792-3739 10910 PORTLAND RD. BROOKS, OR 97305 |
| TOTAL WT: 305.8 LB QTY: FINISH: JOB #: | TITLE: 10'-6" PIPE FACE, V-FRAME, ADJ. TAPER, FITS 1-1/2" TO 5" O.D ROUND LEG, SINGLE STIFF-ARM SERIES: TOWER ANTENNA MOUNT |

| | | |
|---------------|-----------|------------|
| DRAWN BY: | DATE: | CHK'D BY: |
| KY | 7/27/2022 | - |
| DRAWING NO. | | AM1004-10S |
| SHEET: 3 OF 3 | | |