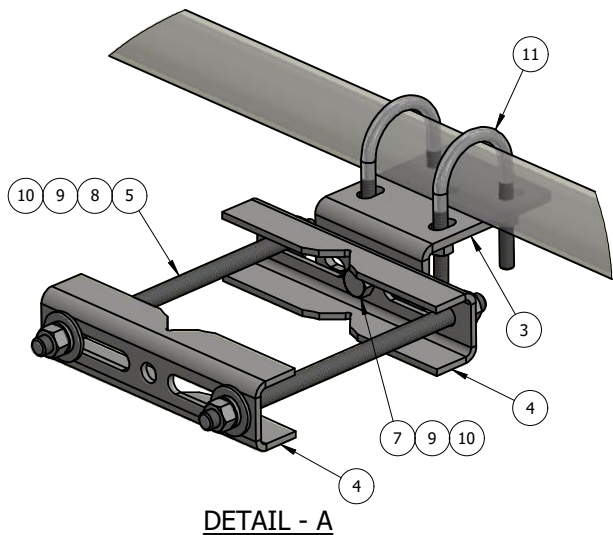
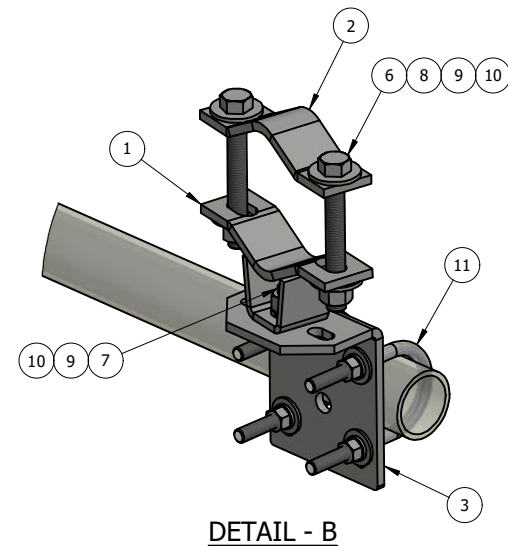
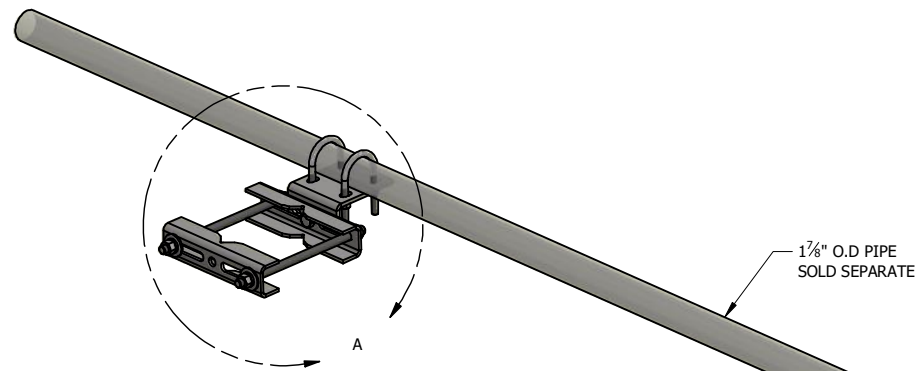


REV	BY	DESCRIPTION	DATE
A	KY	SEE MODEL I PROPERTIES/ COMMENTS	9/26/2018



ITEM	PART #	QTY	DESCRIPTION	LENGTH	FINISH	UNIT WT
1	AM1030-23M.02	1	STIFF ARM HALF CLAMP WELDMENT		HDG	0.92
2	AM1030-23M.03	1	1/4" PLATE		SEE W/O	0.58
3	AM1031.03	2	1/4" PLATE		HDG	1.79
4	AM1031HD.03	2	3/16" PLATE		HDG	1.58
5	TR12-10	2	1/2" x 10" A36 HDG ALL-THREAD	10"		0.56
6	27-4310-005	2	GALV. 1/2" x 4" GR.5 FULL THREADED BOLT			0.27
7	27-4300-005	2	1/2" x 1 1/4" GR.5 HDG BOLT			0.12
8	27-5200-005	8	HDG - 1/2" FLAT WASHER, USS			0.04
9	27-5210-005	8	1/2 HDG LOCK WASHER			0.01
10	27-5222-005	8	1/2 HDG HEX NUT			0.04
11	27-6040-005	4	GALV. 3/8" x 2" x 4" U-BOLT ASSEMBLY			0.38

THIS DESIGN AND INFORMATION CONTAINED ON THIS PRINT IS THE PROPERTY OF VALLEY FAB CORPORATION. ANY REPRODUCTION, DUPLICATION OR TRANSFER OF THE PROPRIETARY CONTENT IS PROHIBITED WITHOUT WRITTEN PERMISSION.

STANDARD TOLERANCES:

(UNLESS OTHERWISE NOTED)

FRACTIONS ±1/16"
 DECIMALS ±0.01"
 ANGLES ±0.5°

NEWAVE
 TOWER COMPONENTS. 503-792-3739
 10910 PORTLAND RD. BROOKS, OR 97305

TOTAL WT: 12.4 LB

QTY:

FINISH:

JOB #:

TITLE:

UNIV. STIFF ARM MOUNT KIT FOR 1-7/8" O.D PIPE
 CLAMPS UP TO 5-1/2" O.D RND OR 4" ANGLE LEG

SERIES: TOWER ANTENNA MOUNT

SHEET: 1 OF 1

DRAWN BY:

JG

DATE:

9/26/2018

CHK'D BY:

KY

DRAWING NO.

AM1030-UM