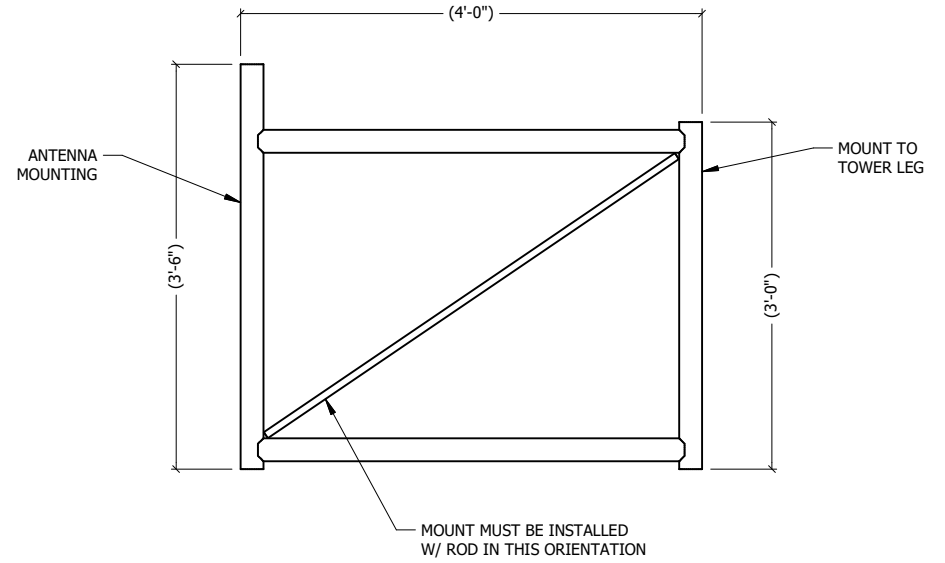
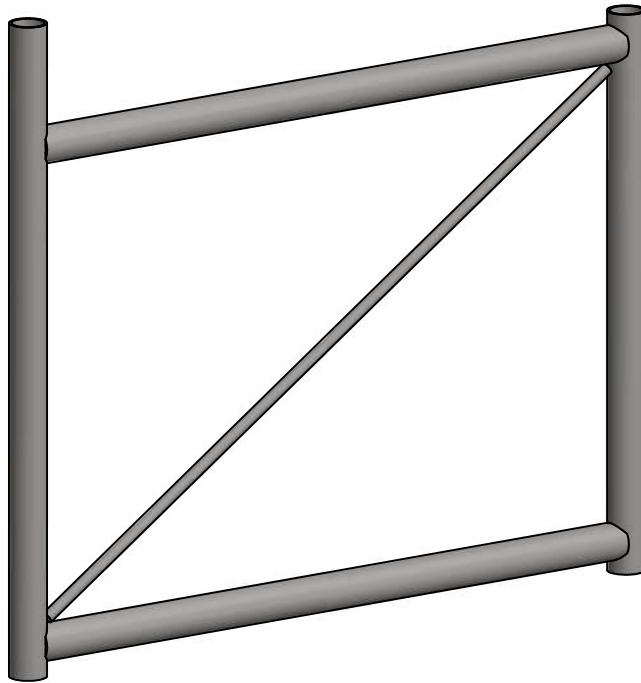


REV	BY	DESCRIPTION	DATE
A	KY	SEE MODEL IPROPERTIES	02/22/23



SIDE VIEW

THIS DESIGN AND INFORMATION CONTAINED ON THIS PRINT IS THE PROPERTY OF VALLEY FAB CORPORATION. ANY REPRODUCTION, DUPLICATION OR TRANSFER OF THE PROPRIETARY CONTENT IS PROHIBITED WITHOUT WRITTEN PERMISSION.

STANDARD TOLERANCES:
(UNLESS OTHERWISE NOTED)

FRACTIONS ±1/16"
DECIMALS ±0.01"
ANGLES ±0.5°

NEWAVE
TOWER COMPONENTS. 503-792-3739
10910 PORTLAND RD. BROOKS, OR 97305

TOTAL WT: 56.85 LB

QTY:

FINISH: HDG

JOB #:

TITLE:

ANTENNA MOUNT PIPE FRME
48" STAND-OFF (2-3/8" O.D PIPE)

SERIES: TOWER ANTENNA MOUNT

SHEET: 1 OF 2

DRAWN BY: DATE: CHK'D BY:

KY 2/22/2023 -

DRAWING NO.

AM1037-48