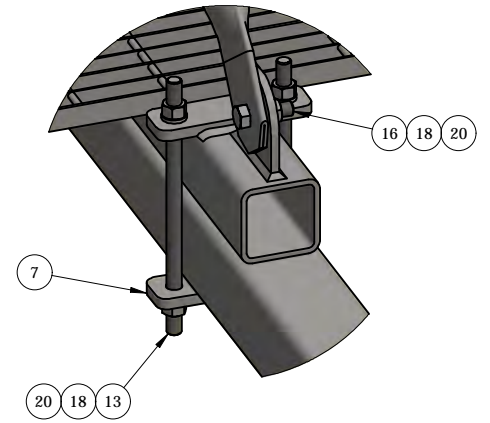
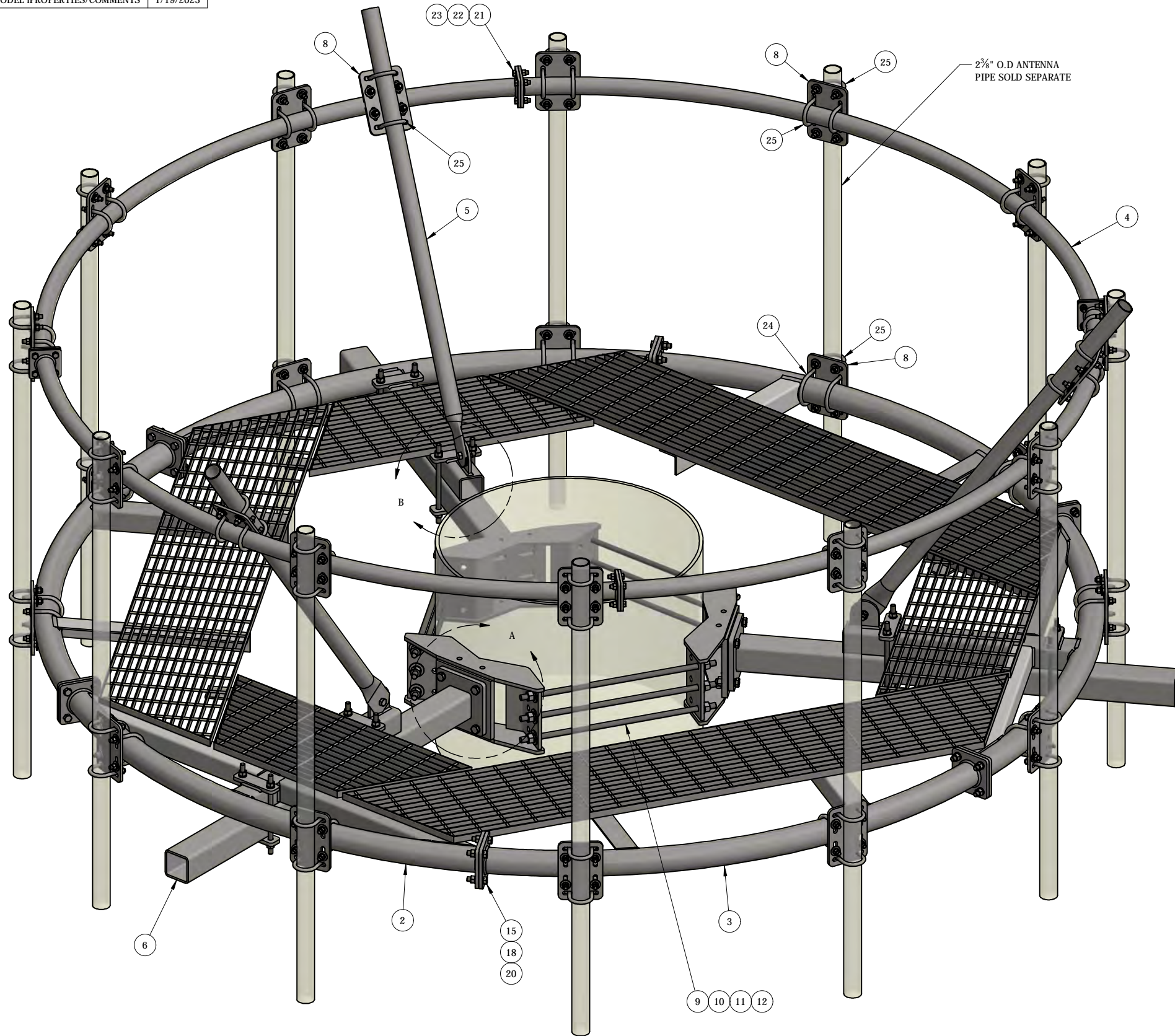
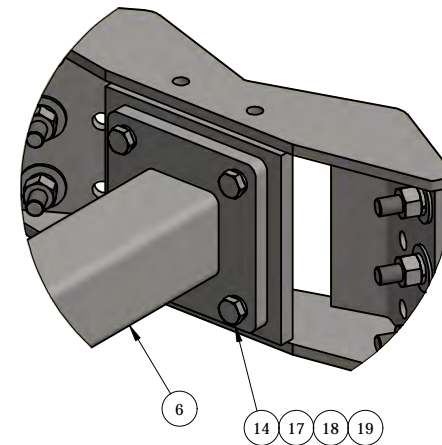


REV	BY	DESCRIPTION	DATE
B	WJ	SEE MODEL I PROPERTIES/COMMENTS	1/19/2023



DETAIL - B



DETAIL - A

ITEM	PART #	QTY	DESCRIPTION	LENGTH	FINISH	UNIT WT
1	RMH1236-3.01	3	3-SECTOR HD RING MOUNT WELDMENT		HDG	60.43
2	LPCP-12R.01	3	12' RND, LOW-PRO PLATFORM MAIN SUPPORT WELDMENT			130.07
3	LPCP-12R.09	3	12' RND, LOW-PRO PLATFORM MID-SECTION WELDMENT			132.31
4	LPCP-12R.14	4	12' RND, LOW-PRO PLATFORM 90° CURVED PIPE WELDMENT			37.05
5	LPCP-12R.17	3	LOW-PRO PLATFORM, KICKER SUPPORT PIPE			19.04
6	LPCP.09	3	5'-0" STAND-OFF WELDMENT		HDG	72.08
7	LPCP.01	6	1/2" PLATE			1.81
8	CXP1	27	3/8" PLATE		SEE W/O	4.86
9	27-5580-005	9	3/4" x 28" B7 HDG ALL-THREAD	2'-4"		3.51
10	27-5481-005	18	3/4 A36 HDG FLAT WASHER			0.11
11	27-5490-005	18	3/4 HDG LOCK WASHER			0.04
12	27-5500-005	18	3/4 HDG HEAVY HEX NUT			0.21
13	TR58-12	12	HDG 5/8" x 12" ALL-THD A307 GR-A (OR GREATER)	1'		1.04
14	27-5451-005	12	5/8" x 2 3/4" A325 HDG BOLT			0.35
15	27-4404-005	24	5/8 x 2 1/4 GR.5 HDG BOLT			0.29
16	27-4403-005	3	5/8 x 2 GR.5 HDG BOLT			0.27
17	27-5372-005	12	5/8 F436 HDG FLAT WASHER			0.05
18	27-5380-005	63	5/8 HDG LOCK WASHER			0.03
19	27-5390-005	12	5/8 HDG HEAVY HEX NUT			0.13
20	27-5391-005	51	5/8" HDG HEX NUT			0.08
21	27-4302-005	16	1/2" x 1 3/4" GR.5 HDG BOLT			0.15
22	27-5210-005	16	1/2 HDG LOCK WASHER			0.01
23	27-5222-005	16	1/2 HDG HEX NUT			0.04
24	27-6090-005	24	GALV. 1/2" x 3 5/8" x 5" U-BOLT ASSEMBLY			0.90
25	27-6060-005	84	HDG - 1/2" x 2-1/2" x 4" U-BOLT ASSEMBLY		HDG	0.76

THIS DESIGN AND INFORMATION CONTAINED ON THIS PRINT IS THE PROPERTY OF VALLEY FAB CORPORATION. ANY REPRODUCTION, DUPLICATION OR TRANSFER OF THE PROPRIETARY CONTENT IS PROHIBITED WITHOUT WRITTEN PERMISSION.

STANDARD TOLERANCES:
(UNLESS OTHERWISE NOTED)
FRACTIONS ±1/16"
DECIMALS ±0.01"
ANGLES ±0.5°

NEWAVE
TOWER COMPONENTS, 503-792-3739
10910 PORTLAND RD. BROOKS, OR 97305

TOTAL WT: 1691.9 LB
QTY:
FINISH:
JOB #:

TITLE: 12' RND, LOW-PRO PLATFORM CO-LOCATION FITS 12" TO 36" O.D POLE	DRAWN BY: KY	DATE: 7/26/2022	CHK'D BY: -
SERIES: MONOPOLE MOUNTING	SHEET: 1 OF 1		LPCP-12R