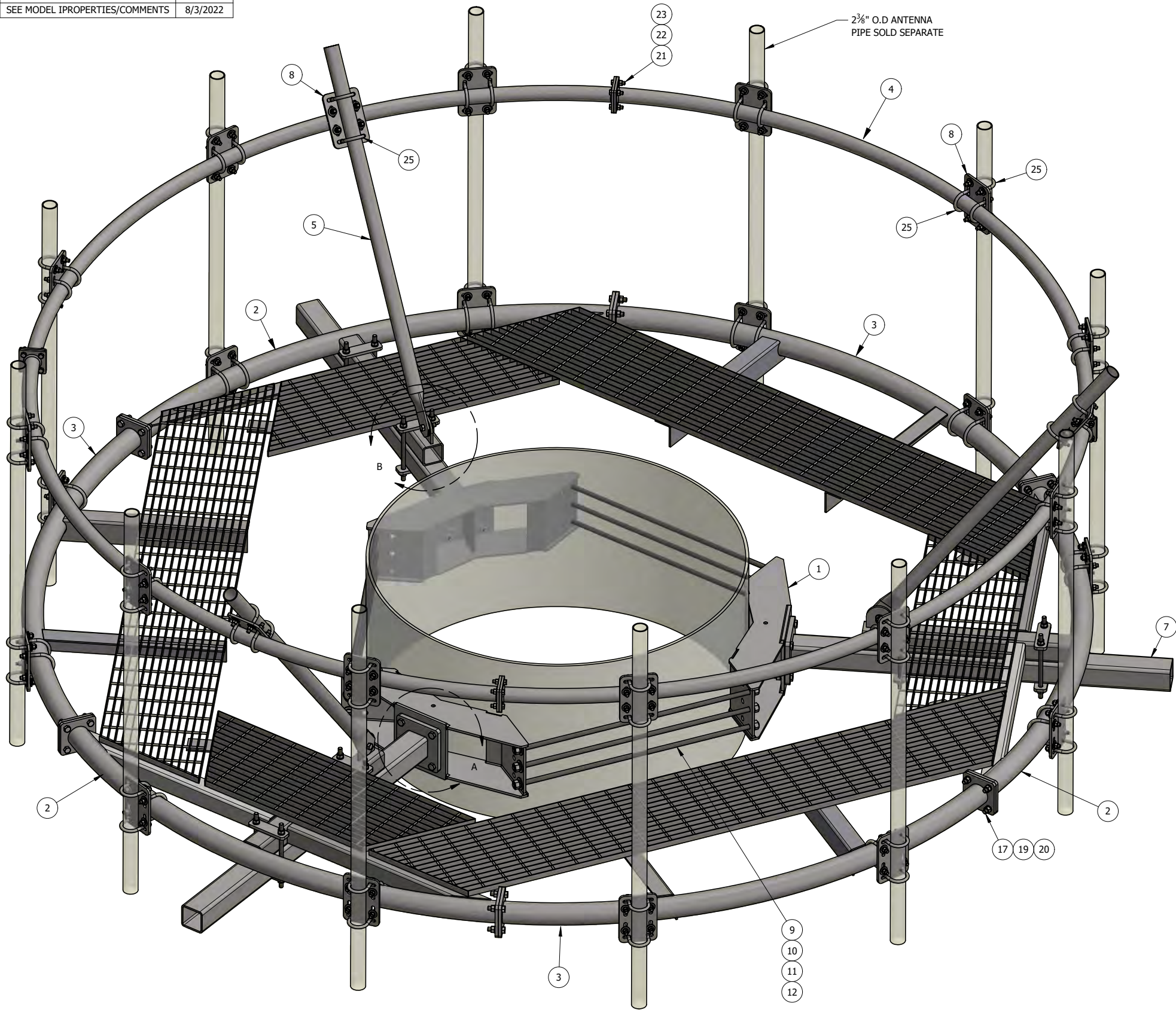
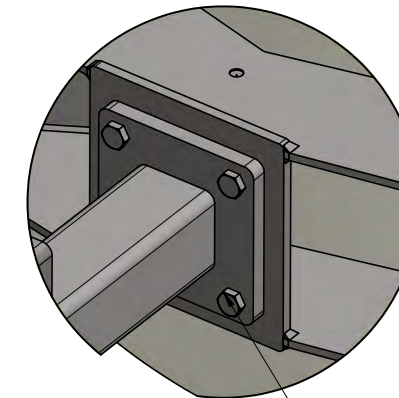


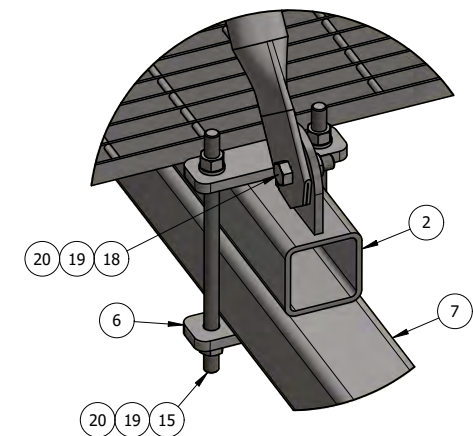
REV	BY	DESCRIPTION	DATE
A	KY	SEE MODEL I PROPERTIES/COMMENTS	8/3/2022



ITEM	PART #	DESCRIPTION	QTY
1	MF3060-3.01	UNIVERSAL 30" - 60" RING MOUNT WELDMENT	3
2	LPCP-14R.01	14' RND, LOW-PRO PLATFORM MAIN SUPPORT WELDMENT	3
3	LPCP-14R.09	14' RND, LOW-PRO PLATFORM MID-SECTION WELDMENT	3
4	LPCP-14R.14	14' RND, LOW-PRO PLATFORM 90° CURVED PIPE WELDMENT	4
5	LPCP-12R.17	LOW-PRO PLATFORM, KICKER SUPPORT PIPE	3
6	LPCP.01	1/2" PLATE	6
7	LPCP.09	5'-0" STAND-OFF WELDMENT	3
8	CXP1	3/8" PLATE	27
9	27-5588-005	3/4" x 42" B7 HDG ALL-THREAD	9
10	27-5481-005	3/4 A36 HDG FLAT WASHER	18
11	27-5490-005	3/4 HDG LOCK WASHER	18
12	27-5500-005	3/4 HDG HEAVY HEX NUT	18
13	27-5450-005	5/8" x 2 1/2" A325 HDG BOLT	12
14	27-5370-005	5/8 A36 HDG FLAT WASHER	12
15	TR58-12	HDG 5/8" x 12" ALL-THD A307 GR-A (OR GREATER)	12
16	27-5390-005	5/8 HDG HEAVY HEX NUT	12
17	27-4404-005	5/8" x 2 1/4" GR.5 HDG BOLT	24
18	27-4403-005	5/8" x 2" GR.5 HDG BOLT	3
19	27-5380-005	5/8 HDG LOCK WASHER	63
20	27-5391-005	5/8" HDG HEX NUT	51
21	27-4302-005	1/2" x 1 3/4" GR.5 HDG BOLT	16
22	27-5210-005	1/2 HDG LOCK WASHER	16
23	27-5222-005	1/2 HDG HEX NUT	16
24	27-6090-005	GALV. 1/2" x 3 5/8" x 5" U-BOLT ASSEMBLY	24
25	27-6060-005	HDG - 1/2" x 2-1/2" x 4" U-BOLT ASSEMBLY	84



DETAIL A



DETAIL B

QTY:
CHK:

STANDARD TOLERANCES:
(UNLESS OTHERWISE NOTED)
FRACTIONS ±1/16"
DECIMALS ±.005"
ANGLES ±.5°

THIS DESIGN AND INFORMATION CONTAINED ON THIS PRINT IS THE PROPERTY OF NEWAVE TOWER COMPONENTS LLC. ANY REPRODUCTION, DUPLICATION OR TRANSFER OF THE PROPRIETARY CONTENT IS PROHIBITED WITHOUT WRITTEN PERMISSION.



MATERIAL: AS SHOWN
HOLES: AS SHOWN
FINISH: HDG

DRAWN BY: KY
CHECKED BY:
DATE: 3/28/2018

TITLE: 14' RND, LOW-PRO PLATFORM CO-LOCATION FITS 30" TO 60" OD POLE
SERIES: MONOPOLE MOUNTING
PART WT (BARE): 1905 LB
DRAWING NO: LPCP-14R
SHEET: 1 OF 1