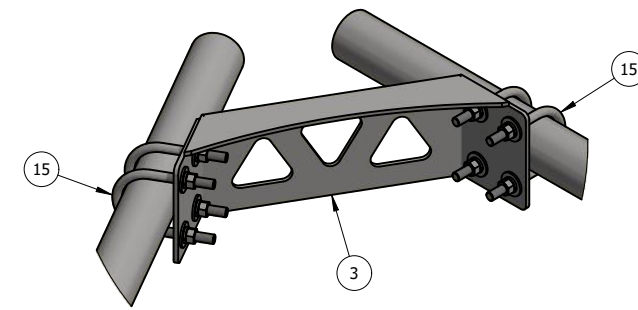
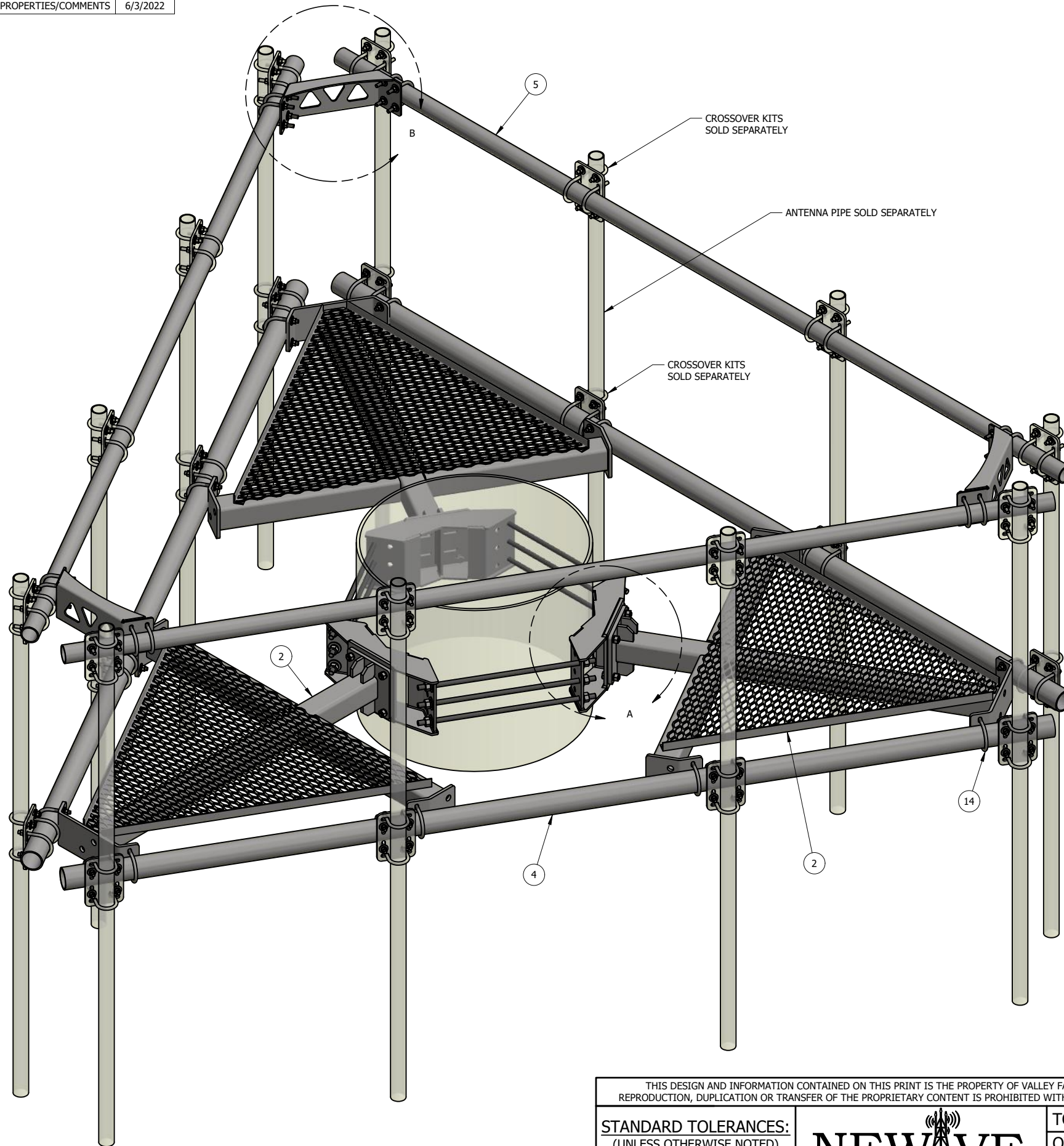
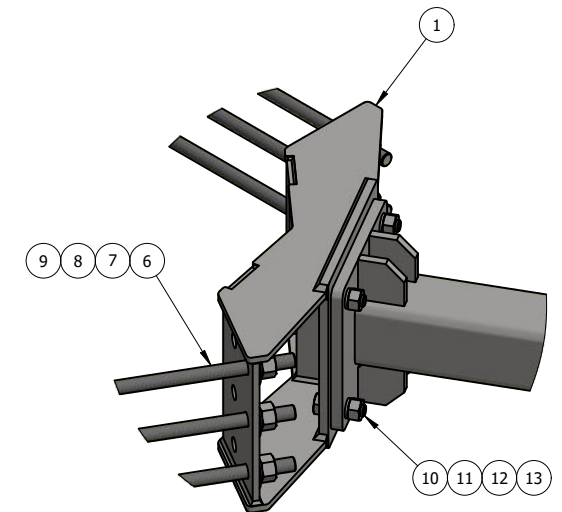


REV	BY	DESCRIPTION	DATE
A	KY	SEE PART I PROPERTIES/COMMENTS	6/3/2022



DETAIL - B



DETAIL - A

ITEM	PART #	QTY	DESCRIPTION	LENGTH	FINISH	UNIT WT
1	MF1236-3.01	3	UNIVERSAL 12" TO 36" RING MOUNT WELDMENT		HDG	50.60
2	LPCP-12HD.01	3	3-SECTOR L.P. MOUNT HEAVY DUTY WELDMENT		HDG	217.74
3	LPHK.01	3	1/4" PLATE		HDG	11.33
4	P35-156	3	3" STD PIPE	13'	HDG	98.59
5	P278-156	3	2 1/2" STD PIPE	13'	HDG	75.39
6	27-5580-005	9	3/4" x 28" B7 HDG ALL-THREAD	2'-4"		3.51
7	27-5481-005	18	3/4 A36 HDG FLAT WASHER			0.11
8	27-5490-005	18	3/4 HDG LOCK WASHER			0.04
9	27-5500-005	18	3/4 HDG HEAVY HEX NUT			0.21
10	27-5440-005	12	5/8" x 2 1/4" A325 HDG BOLT			0.30
11	27-5372-005	12	5/8 F436 HDG FLAT WASHER			0.05
12	27-5380-005	12	5/8 HDG LOCK WASHER			0.03
13	27-5390-005	12	5/8 HDG HEAVY HEX NUT			0.13
14	27-6090-005	12	GALV. 1/2" x 3 5/8" x 5" U-BOLT ASSEMBLY			0.90
15	27-6080-005	12	GALV. 1/2" x 3" x 5" GR-5 U-BOLT ASSEMBLY			0.89

THIS DESIGN AND INFORMATION CONTAINED ON THIS PRINT IS THE PROPERTY OF VALLEY FAB CORPORATION. ANY REPRODUCTION, DUPLICATION OR TRANSFER OF THE PROPRIETARY CONTENT IS PROHIBITED WITHOUT WRITTEN PERMISSION.

**STANDARD TOLERANCES:**  
(UNLESS OTHERWISE NOTED)  
FRACTIONS ±1/16"  
DECIMALS ±0.01"  
ANGLES ±0.5°



TOWER COMPONENTS, 503-792-3739  
10910 PORTLAND RD. BROOKS, OR 97305

TOTAL WT: 1426.65 LB

QTY:

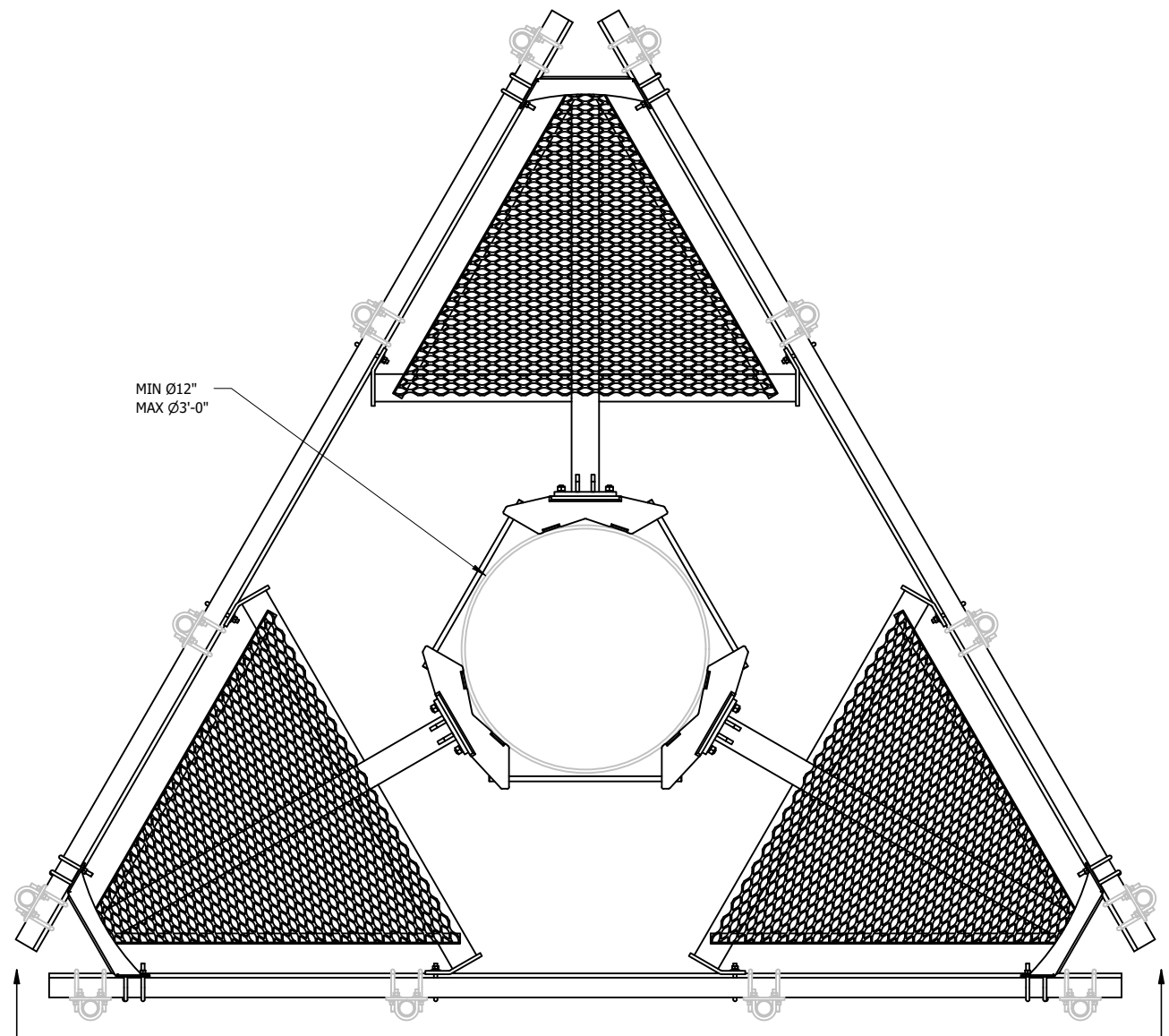
FINISH: HDG

JOB #:

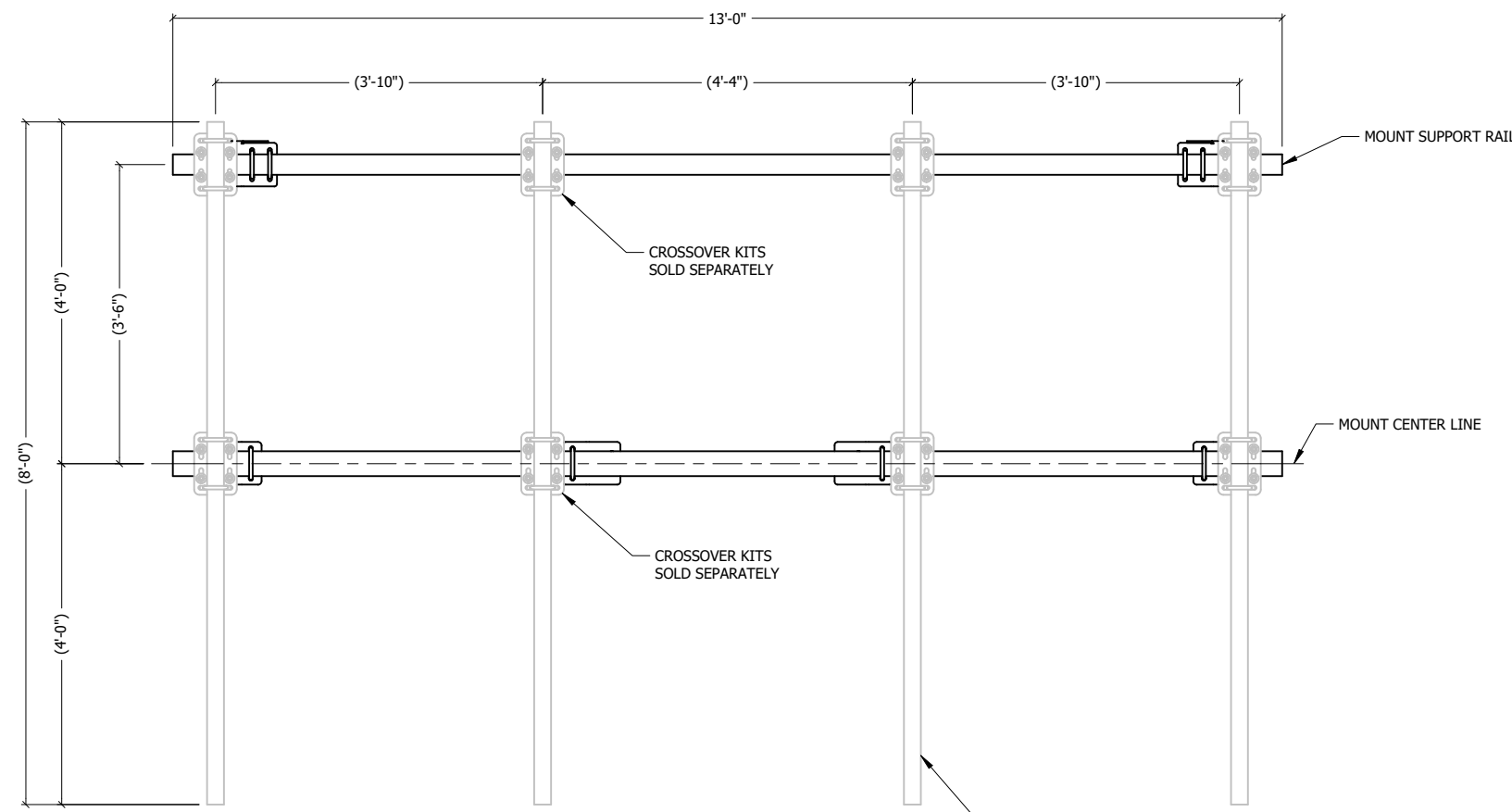
TITLE: 3-SECTOR PLATFORM KIT W/ 13' FACE & TOP RAIL, FITS 12"-36" O.D POLE  
SERIES: MONOPOLE MOUNTING

DRAWN BY: KY DATE: 3/15/2022 CHK'D BY: -  
DRAWING NO. LPK12  
SHEET: 1 OF 2


REV	BY	DESCRIPTION	DATE
A	KY	SEE PART I PROPERTIES/COMMENTS	6/3/2022



TOP VIEW



VIEW A-A

<small>THIS DESIGN AND INFORMATION CONTAINED ON THIS PRINT IS THE PROPERTY OF VALLEY FAB CORPORATION. ANY REPRODUCTION, DUPLICATION OR TRANSFER OF THE PROPRIETARY CONTENT IS PROHIBITED WITHOUT WRITTEN PERMISSION.</small>	
<b>STANDARD TOLERANCES:</b> <small>(UNLESS OTHERWISE NOTED)</small> FRACTIONS ±1/16" DECIMALS ±0.01" ANGLES ±0.5°	 <b>NEWAVE</b> TOWER COMPONENTS, 503-792-3739 10910 PORTLAND RD. BROOKS, OR 97305
TOTAL WT: 1426.65 LB	FINISH: HDG
QTY:	JOB #:

TITLE: 3-SECTOR PLATFORM KIT W/ 13' FACE & TOP RAIL, FITS 12"-36" O.D POLE		DRAWN BY: KY DATE: 3/15/2022 CHECK'D BY: -
SERIES: MONOPOLE MOUNTING	SHEET: 2 OF 2	DRAWING NO. LPK12