

DETAIL - A

ITEM	PART #	QTY	DESCRIPTION	LENGTH	FINISH	UNIT WT
1	RMH1236-3.01	3	3-SECTOR HD RING MOUNT WELDMENT		HDG	60.43
2	LPCP-8.01	3	CO-LOCATION PLATFORM WELDMENT		HDG	154.53
3	LPHK.08	6	3/8" PLATE		HDG	8.27
4	LPHK.09	3	1/4" PLATE		HDG	10.65
5	P278-96	6	2 1/2" STD PIPE	8'	HDG	46.39
6	27-5580-005	9	3/4" x 28" B7 HDG ALL-THREAD	2'-4"		3.51
7	27-5481-005	18	3/4 A36 HDG FLAT WASHER			0.11
8	27-5490-005	18	3/4 HDG LOCK WASHER			0.04
9	27-5500-005	18	3/4 HDG HEAVY HEX NUT			0.21
10	27-5450-005	12	5/8" x 2 1/2" A325 HDG BOLT			0.32
11	27-5372-005	12	5/8 F436 HDG FLAT WASHER			0.05
12	27-5380-005	12	5/8 HDG LOCK WASHER			0.03
13	27-5390-005	12	5/8 HDG HEAVY HEX NUT			0.13
14	27-4301-005	12	1/2" x 1 1/2" GR.5 HDG BOLT			0.13
15	27-5200-005	12	1/2 A36 HDG FLAT WASHER			0.04
16	27-5210-005	12	1/2 HDG LOCK WASHER			0.01
17	27-5222-005	12	1/2 HDG HEX NUT			0.04
18	27-6080-005	24	GALV. 1/2" x 3" x 5" GR-5 U-BOLT ASSEMBLY			0.89

THIS DESIGN AND INFORMATION CONTAINED ON THIS PRINT IS THE PROPERTY OF VALLEY FAB CORPORATION. ANY REPRODUCTION, DUPLICATION OR TRANSFER OF THE PROPRIETARY CONTENT IS PROHIBITED WITHOUT WRITTEN PERMISSION.

STANDARD TOLERANCES:
(UNLESS OTHERWISE NOTED)
FRACTIONS - 1/16"
DECIMALS - 0.01"
ANGLES - 0.5°



TOWER COMPONENTS, 503-792-3739
10910 PORTLAND RD. BROOKS, OR 97305

TOTAL WT: 1224.55 LB

QTY:

FINISH:

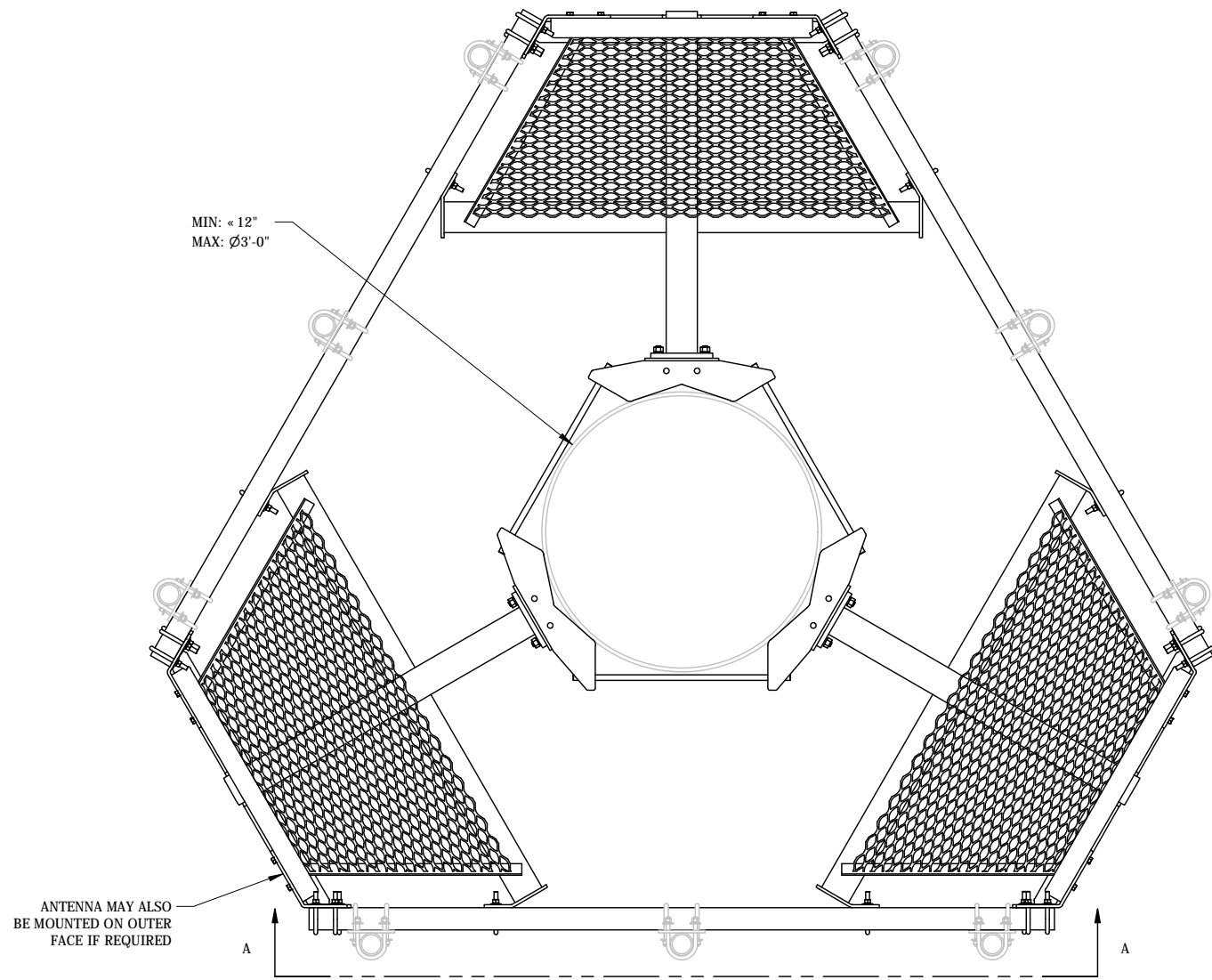
JOB #:

TITLE:
**3-SECTOR PLATFORM KIT W/ 8' FACE
& TOP RAIL, FITS 12" TO 36" OD POLE**

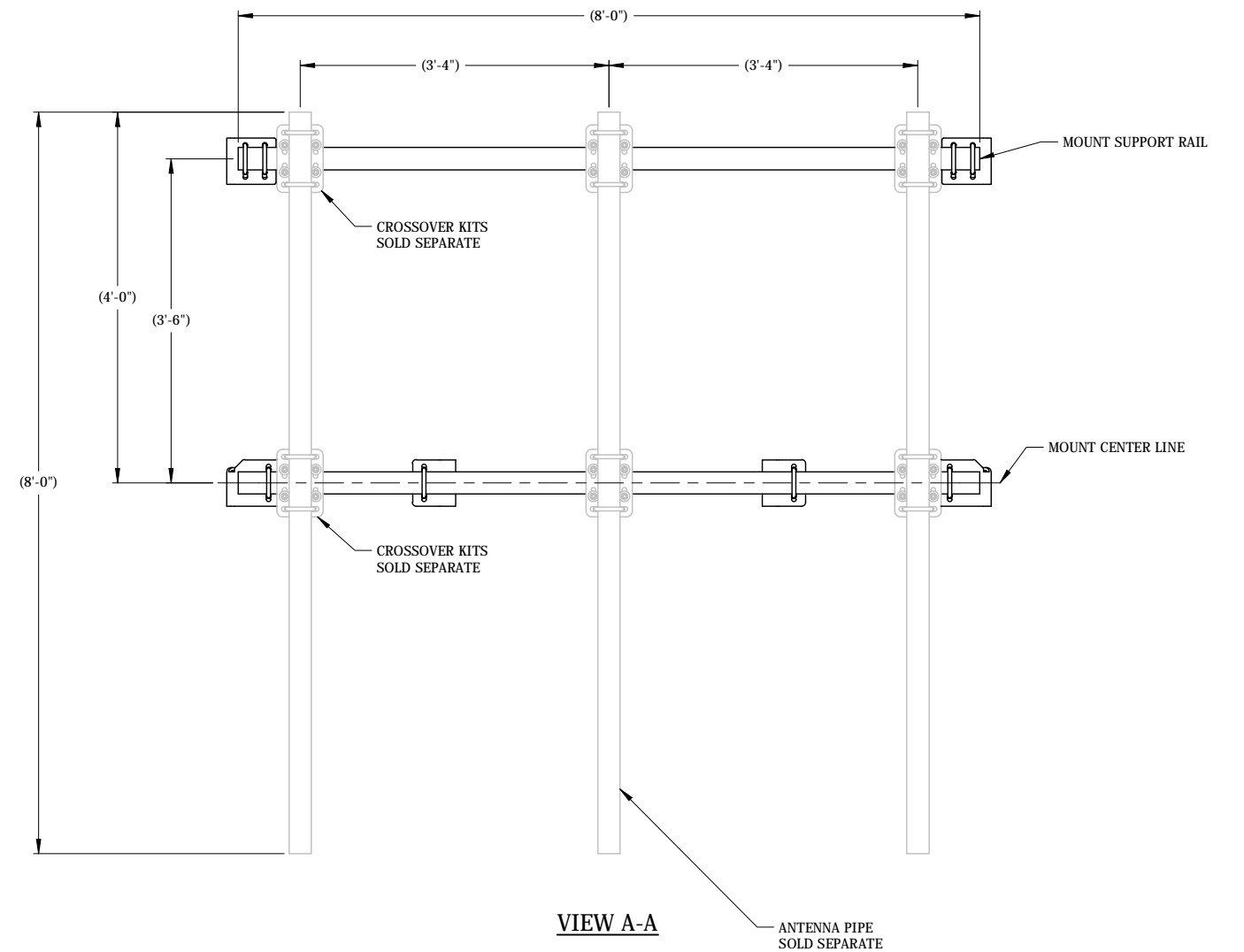
SERIES: MONOPOLE MOUNTING SHEET: 1 OF 2

DRAWN BY: DATE: 9/14/2020
KY
CHK'D BY: -
DRAWING NO. LPK8-25P


REV	BY	DESCRIPTION	DATE
C	KY	SEE MODEL I PROPERTIES/COMMENTS	2/22/2023



TOP VIEW



THIS DESIGN AND INFORMATION CONTAINED ON THIS PRINT IS THE PROPERTY OF VALLEY FAB CORPORATION. ANY REPRODUCTION, DUPLICATION OR TRANSFER OF THE PROPRIETARY CONTENT IS PROHIBITED WITHOUT WRITTEN PERMISSION.

STANDARD TOLERANCES: (UNLESS OTHERWISE NOTED) FRACTIONS - 1/16" DECIMALS - 0.01" ANGLES - 0.5°	 NEWAVE TOWER COMPONENTS, 503-792-3739 10910 PORTLAND RD. BROOKS, OR 97305	TOTAL WT: 1224.55 LB
		QTY:
		FINISH:
		JOB #:

TITLE:	3-SECTOR PLATFORM KIT W/ 8' FACE & TOP RAIL, FITS 12" TO 36" OD POLE	DRAWN BY:	DATE:	CHK'D BY:
		KY	9/14/2020	-
SERIES: MONOPOLE MOUNTING	SHEET: 2 OF 2	DRAWING NO. LPK8-25P		

REV	BY	DESCRIPTION	DATE
C	KY	SEE MODEL I PROPERTIES/COMMENTS	2/22/2023