

| ITEM | PART #       | QTY | DESCRIPTION                              | LENGTH | FINISH | UNIT WT |
|------|--------------|-----|--|--------|--------|---------|
| 1    | RMH1236-3.01 | 3   | 3-SECTOR HD RING MOUNT WELDMENT          |        | HDG    | 60.43   |
| 2    | LPCP-8.01    | 3   | CO-LOCATION PLATFORM WELDMENT            |        | HDG    | 154.53  |
| 3    | LPHK.08      | 6   | 3/8" PLATE                               |        | HDG    | 8.27    |
| 4    | LPHK.09      | 3   | 1/4" PLATE                               |        | HDG    | 10.65   |
| 5    | P35-96       | 3   | 3" STD PIPE                              | 8'     | HDG    | 60.67   |
| 6    | P23-96       | 3   | 2" STD PIPE                              | 8'     | HDG    | 29.25   |
| 7    | 27-5580-005  | 9   | 3/4" x 28" B7 HDG ALL-THREAD             | 2'-4"  |        | 3.51    |
| 8    | 27-5481-005  | 18  | 3/4 A36 HDG FLAT WASHER                  |        |        | 0.11    |
| 9    | 27-5490-005  | 18  | 3/4 HDG LOCK WASHER                      |        |        | 0.04    |
| 10   | 27-5500-005  | 18  | 3/4 HDG HEAVY HEX NUT                    |        |        | 0.21    |
| 11   | 27-5450-005  | 12  | 5/8" x 2 1/2" A325 HDG BOLT              |        |        | 0.32    |
| 12   | 27-5372-005  | 12  | 5/8 F436 HDG FLAT WASHER                 |        |        | 0.05    |
| 13   | 27-5380-005  | 12  | 5/8 HDG LOCK WASHER                      |        |        | 0.03    |
| 14   | 27-5390-005  | 12  | 5/8 HDG HEAVY HEX NUT                    |        |        | 0.13    |
| 15   | 27-4301-005  | 12  | 1/2" x 1 1/2" GR.5 HDG BOLT              |        |        | 0.13    |
| 16   | 27-5200-005  | 12  | 1/2 A36 HDG FLAT WASHER                  |        |        | 0.04    |
| 17   | 27-5210-005  | 12  | 1/2 HDG LOCK WASHER                      |        |        | 0.01    |
| 18   | 27-5222-005  | 12  | 1/2 HDG HEX NUT                          |        |        | 0.04    |
| 19   | 27-6090-005  | 12  | GALV. 1/2" x 3 5/8" x 5" U-BOLT ASSEMBLY |        |        | 0.90    |
| 20   | 27-6060-005  | 12  | HDG - 1/2" x 2-1/2" x 4" U-BOLT ASSEMBLY |        | HDG    | 0.76    |

THIS DESIGN AND INFORMATION CONTAINED ON THIS PRINT IS THE PROPERTY OF VALLEY FAB CORPORATION. ANY REPRODUCTION, DUPLICATION OR TRANSFER OF THE PROPRIETARY CONTENT IS PROHIBITED WITHOUT WRITTEN PERMISSION.

**STANDARD TOLERANCES:**  
(UNLESS OTHERWISE NOTED)  
FRACTIONS ±1/16"  
DECIMALS ±0.01"  
ANGLES ±0.5°

**NEWAVE**  
TOWER COMPONENTS, 503-792-3739  
10910 PORTLAND RD. BROOKS, OR 97305

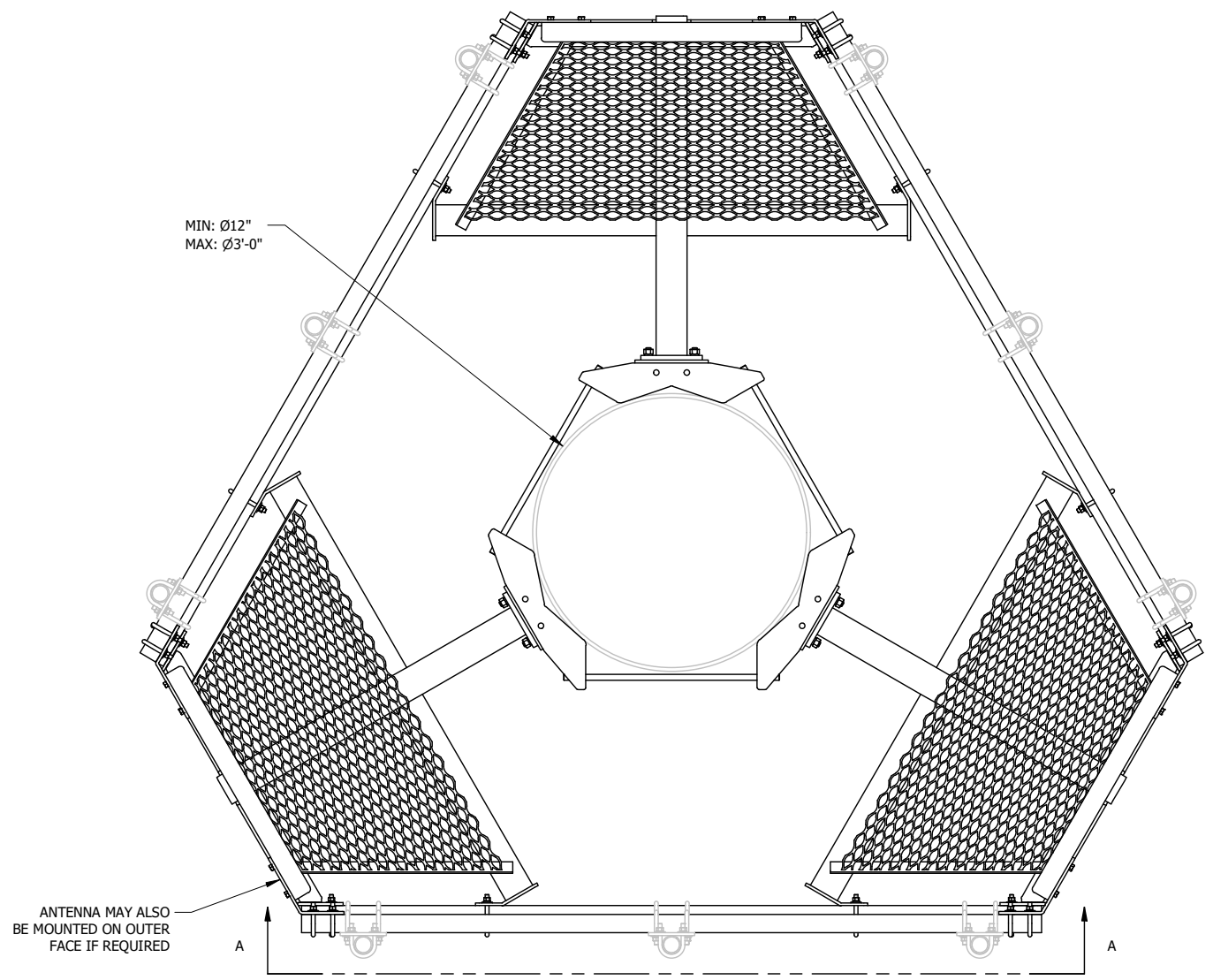
TOTAL WT: 1063.35 LB  
QTY:  
FINISH:  
JOB #:

TITLE: 3-SECTOR PLATFORM KIT W/ 8' FACE & TOP RAIL, FITS 12" TO 36" OD POLE

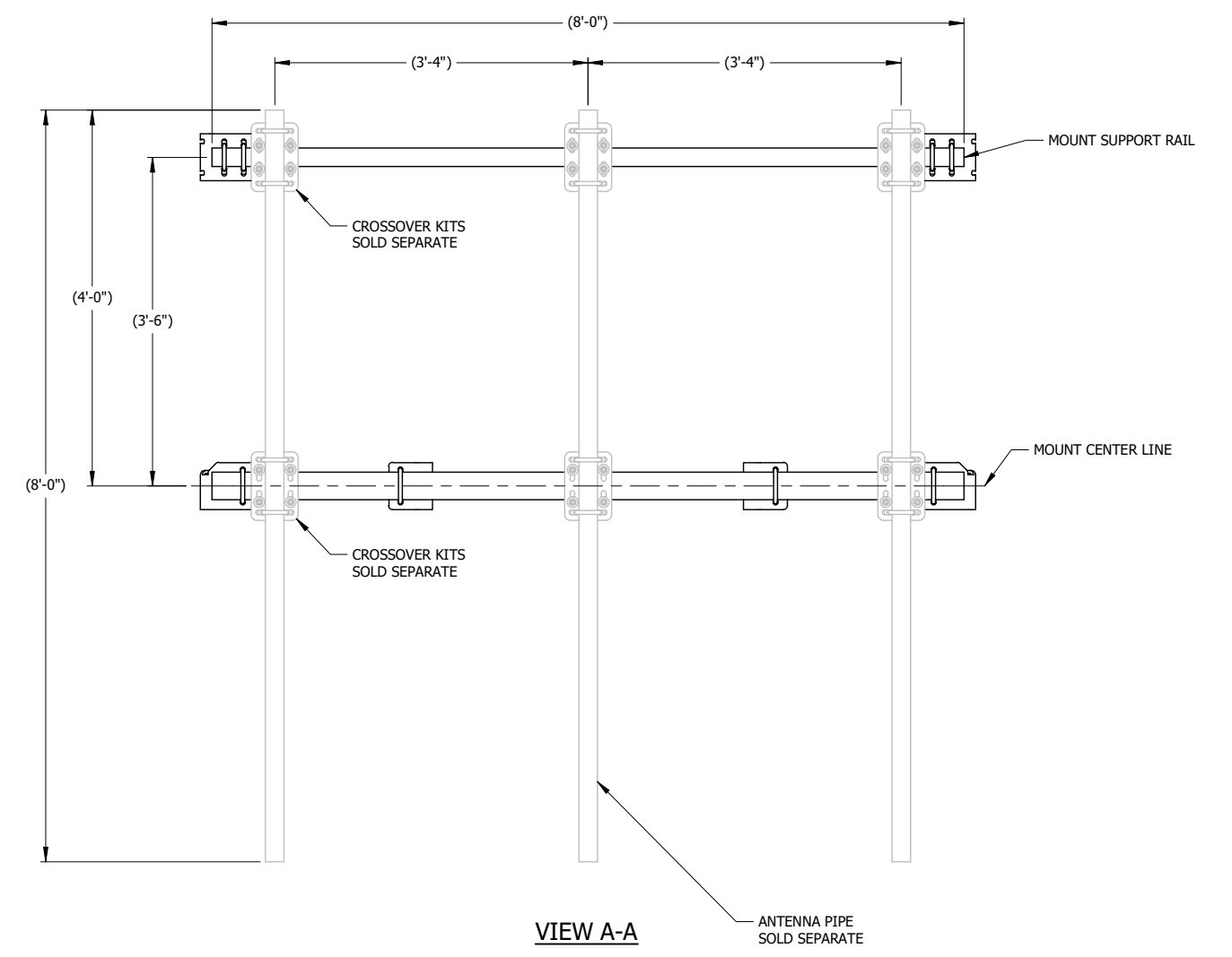
SERIES: MONOPOLE MOUNTING SHEET: 1 OF 2

DRAWN BY: KY DATE: 2/22/2023 CHK'D BY: -  
DRAWING NO. LPK8

| REV | BY | DESCRIPTION                     | DATE      |
|-----|----|---------------------------------|-----------|
| C   | KY | SEE MODEL I PROPERTIES/COMMENTS | 2/22/2023 |




TOP VIEW



VIEW A-A

| REV | BY | DESCRIPTION                     | DATE      |
|-----|----|---------------------------------|-----------|
| C   | KY | SEE MODEL I PROPERTIES/COMMENTS | 2/22/2023 |

THIS DESIGN AND INFORMATION CONTAINED ON THIS PRINT IS THE PROPERTY OF VALLEY FAB CORPORATION. ANY REPRODUCTION, DUPLICATION OR TRANSFER OF THE PROPRIETARY CONTENT IS PROHIBITED WITHOUT WRITTEN PERMISSION.

|  |   |                      |
|--|---|----------------------|
| <b>STANDARD TOLERANCES:</b><br>(UNLESS OTHERWISE NOTED)<br>FRACTIONS ±1/16"<br>DECIMALS ±0.01"<br>ANGLES ±0.5° | <br><b>NEWAVE</b><br>TOWER COMPONENTS, 503-792-3739<br>10910 PORTLAND RD. BROOKS, OR 97305 | TOTAL WT: 1063.35 LB |
|  |   | QTY:                 |
|  |   | FINISH:              |
|  |   | JOB #:               |

|  |  |              |  |           |           |
|--|--|--------------|--|-----------|-----------|
| TITLE:   |  | DRAWN BY:    |  | DATE:     | CHK'D BY: |
| 3-SECTOR PLATFORM KIT W/ 8' FACE & TOP RAIL, FITS 12" TO 36" OD POLE |  | KY           |  | 2/22/2023 | -         |
| SERIES: MONOPOLE MOUNTING  |  | DRAWING NO.: |  | LPK8      |           |
| SHEET: 2 OF 2  |  |              |  |           |           |