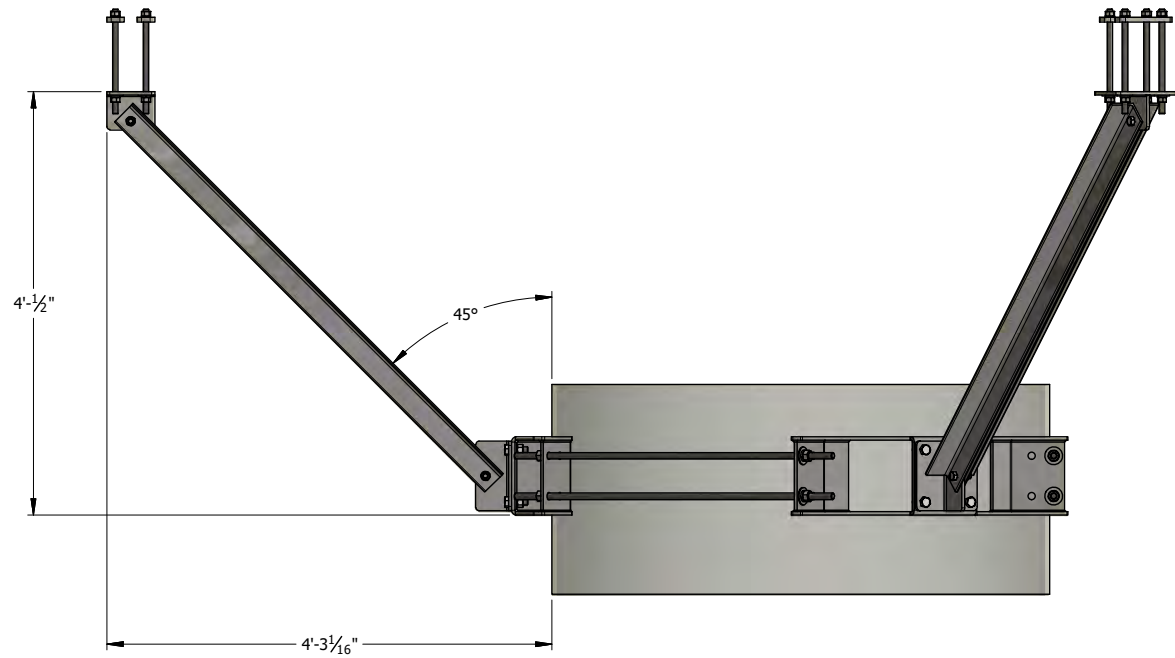
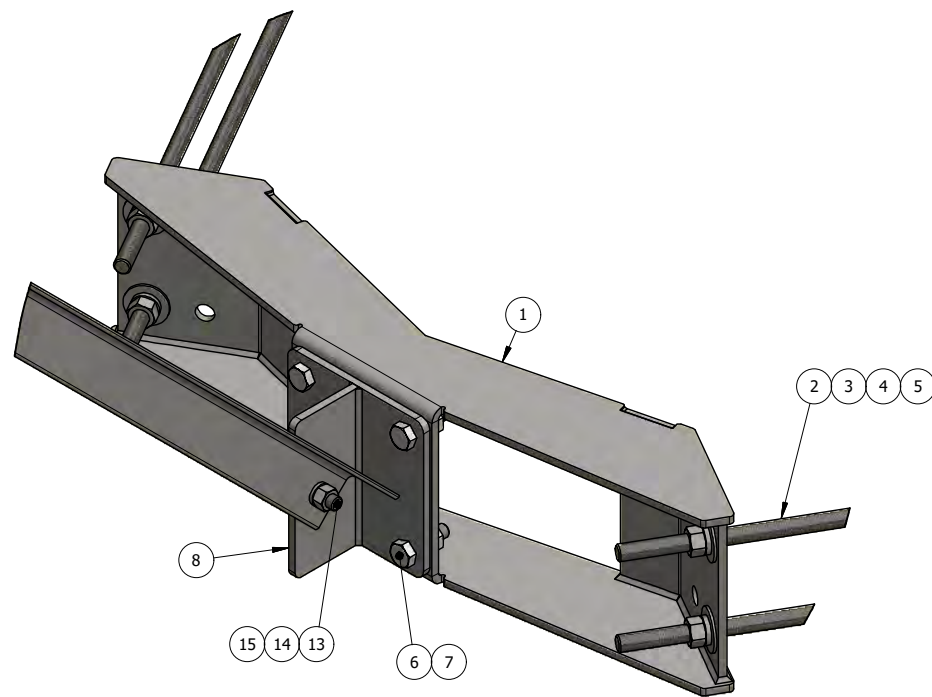


REV	BY	DESCRIPTION	DATE
A	KY	SEE ASSEMBLY PROPERTIES/ COMMENTS	9/25/2017

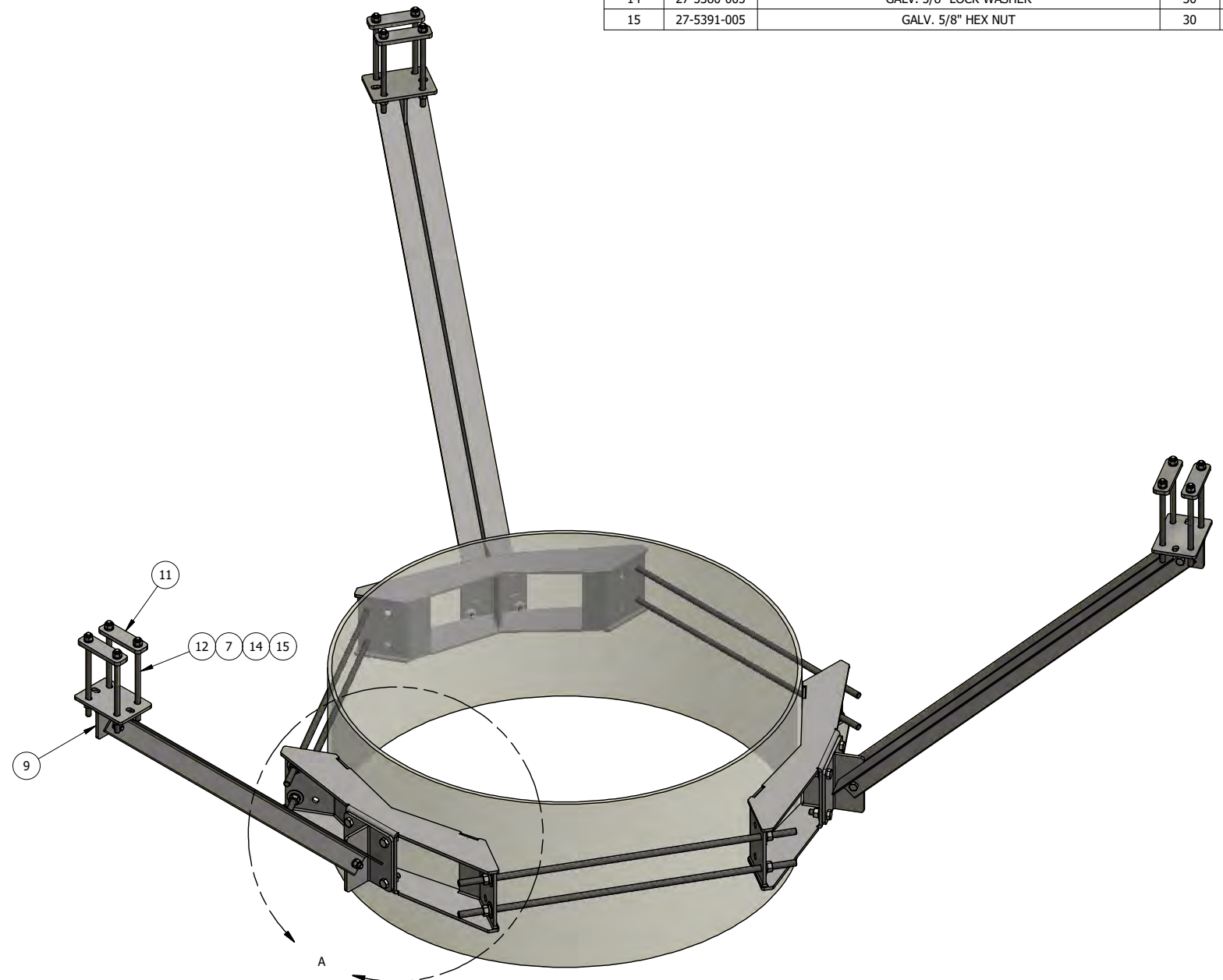
ITEM	PART #	DESCRIPTION	QTY	UNIT WT
1	M3060-3.01	UNIVERSAL 30" TO 57" O.D RING MOUNT WELDMENT	3	56.93
2	27-5588-005	GALV. 3/4" B7 ALL THREAD @ 42" LONG	6	5.26
3	27-5490-005	GALV. 3/4" LOCK WASHER	12	0.05
4	27-5481-005	GALV. 3/4" FLAT WASHER	12	0.09
5	27-5501-005	GALV. 3/4" HEX NUT REGULAR	12	0.14
6	27-5440-005	GALV. 5/8" x 2-1/4" A325 BOLT ASSEMBLY	12	0.31
7	27-5370-005	GALV. 5/8" FLAT WASHER	24	0.08
8	LPS.01	LOWER MOUNTING BRACKET	3	9.85
9	LPS30-20.01	LOW PROFILE TOP BRACKET WELDMENT	3	6.68
10	LPS.04	GALV. L3"x3"x1/4" ANGLE STIFFENER @ 5' LONG	6	24.59
11	LPCP.01	1/2" CLAMP PLATE	6	1.81
12	TR58-12	GALV. 5/8" x 12" ALL-THREAD	12	1.04
13	27-4403-005	GALV. 5/8" x 2" GR.5 BOLT	6	0.27
14	27-5380-005	GALV. 5/8" LOCK WASHER	30	0.03
15	27-5391-005	GALV. 5/8" HEX NUT	30	0.08



SIDE VIEW



DETAIL-A



QTY:
CHK:

NOTE:
1. FIELD PREP ANGLE TO FIT
2. FILED CUT ALL THREAD TO FIT

STANDARD TOLERANCES:
(UNLESS OTHERWISE NOTED)

FRACTIONS	±1/16"
1 DECIMAL	±.1"
2 DECIMAL	±.03"
3 DECIMAL	±.005"
ANGLES	±.5°

THIS DESIGN AND INFORMATION CONTAINED ON THIS PRINT IS THE PROPERTY OF NEWAVE TOWER COMPONENTS LLC. ANY REPRODUCTION, DUPLICATION OR TRANSFER OF THE PROPRIETARY CONTENT IS PROHIBITED WITHOUT WRITTEN PERMISSION.

NEWAVE
Tower Components, 503-792-3739
10910 PORTLAND RD. BROOKS, OR 97305

MATERIAL:	AS SHOWN
GRADE:	DRAWN BY: JG
FINISH:	CHECKED BY: KY
	HDG

TITLE:	LOW PROFILE STIFFENER 3-SECTOR W/ 5'-0" KICKERS & 30" TO 57" RING MOUNT		
SERIES:	MONOPOLE MOUNTING		
DATE:	10/26/2016	PART WT (BARE):	438.6 LB
DRAWING NO.:			LPS31-20