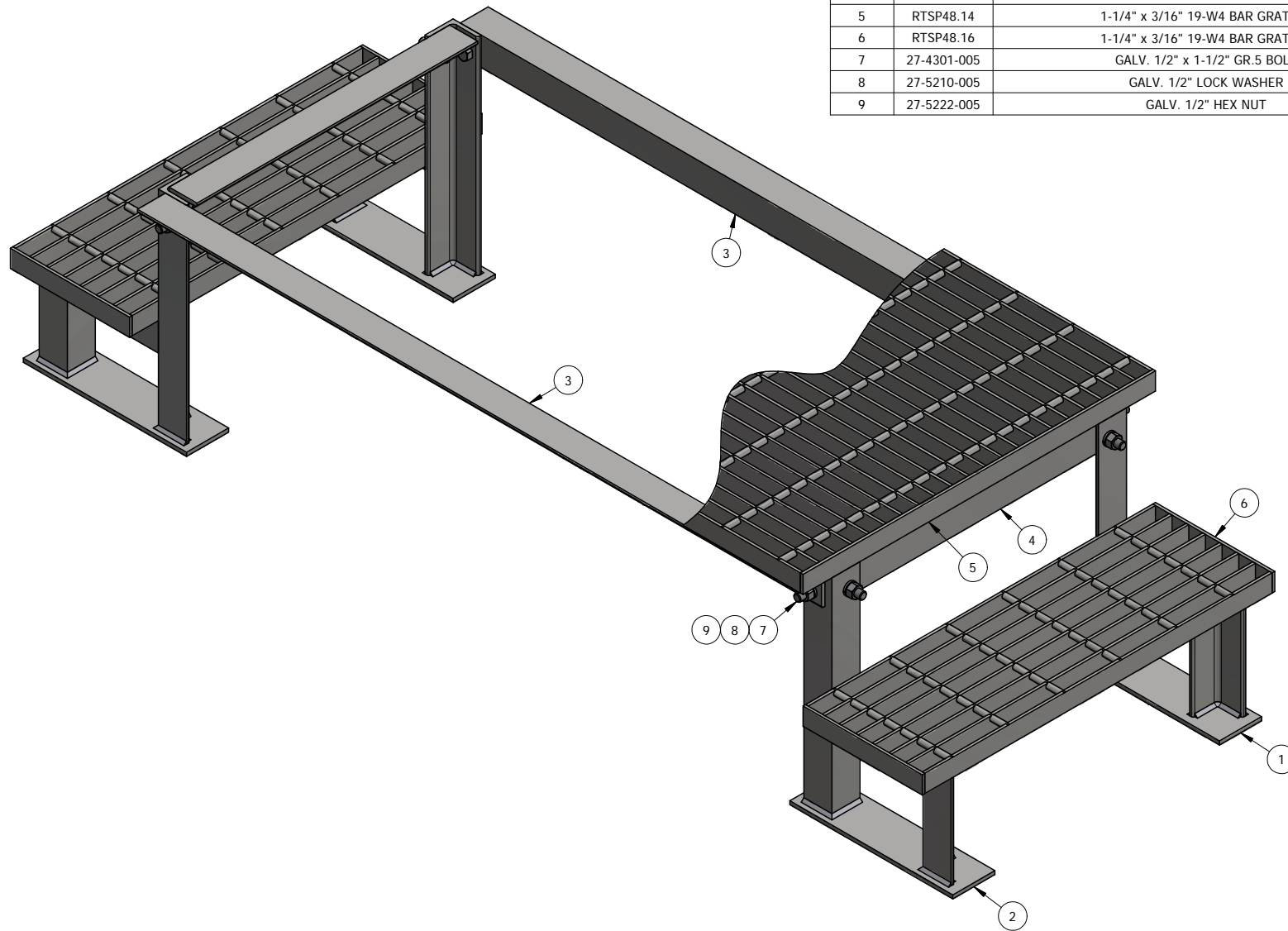


ITEM	PART #	DESCRIPTION	QTY	UNIT WT
1	RTSP48.01	LEG WELDMENT	2	9.95
2	RTSP48.06	LEG WELDMENT	2	9.94
3	RTSP48.07	L2x2x1/4" ANGLE @ 3'-11" LONG	2	12.56
4	RTSP48.08	L2x2x1/4" ANGLE @ 1'-8" LONG	2	5.32
5	RTSP48.14	1-1/4" x 3/16" 19-W4 BAR GRATING	1	80.88
6	RTSP48.16	1-1/4" x 3/16" 19-W4 BAR GRATING	2	15.61
7	27-4301-005	GALV. 1/2" x 1-1/2" GR.5 BOLT	8	0.13
8	27-5210-005	GALV. 1/2" LOCK WASHER	8	0.01
9	27-5222-005	GALV. 1/2" HEX NUT	8	0.04



QTY:  
CHK:

**STANDARD TOLERANCES:**  
(UNLESS OTHERWISE NOTED)  
FRACTIONS ± 1/16"  
DECIMALS ± .005"  
ANGLES ± .5°

THIS DESIGN AND INFORMATION CONTAINED ON THIS PRINT IS THE PROPERTY OF NEWAVE TOWER COMPONENTS LLC. ANY REPRODUCTION, DUPLICATION OR TRANSFER OF THE PROPRIETARY CONTENT IS PROHIBITED WITHOUT WRITTEN PERMISSION.

**NEWAVE**  
TOWER COMPONENTS. 503-792-3739  
10910 PORTLAND RD. BROOKS, OR 97305

MATERIAL: AS SHOWN  
HOLES: AS SHOWN  
FINISH: HDG  
DRAWN BY: JG  
CHECKED BY:  
DATE: 4/19/2016

TITLE: 48" STEP-OVER ROOFTOP PLATFORM  
SERIES: ROOFTOP/WALL MOUNT  
PART WT (BARE): 189.2 LB  
DRAWING NO. RTSP48  
SHEET: 1 OF 1