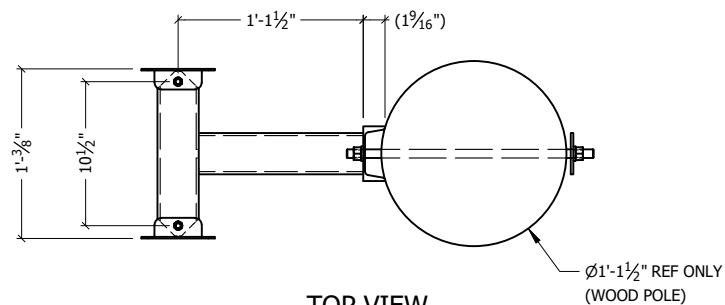
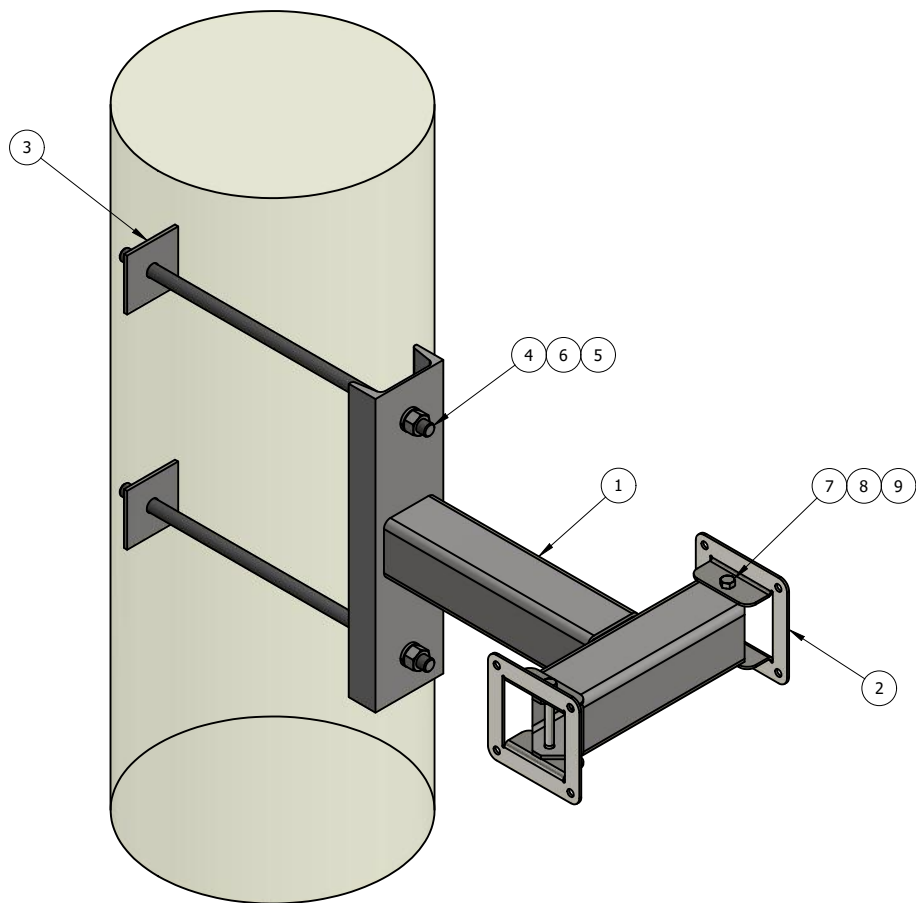
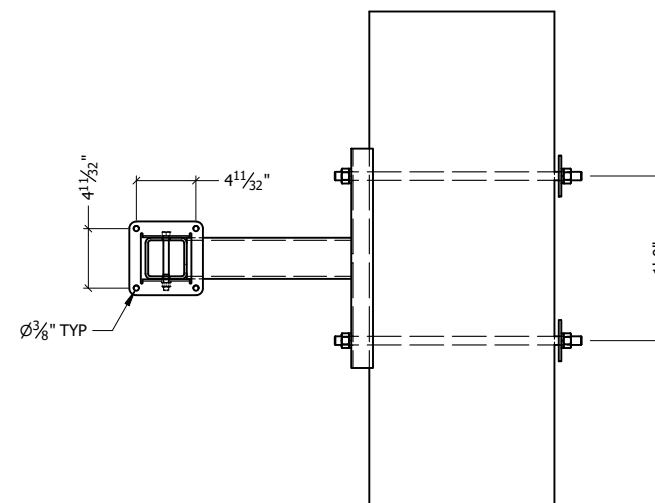


REV	BY	DESCRIPTION	DATE
A	KY	SEE MODEL I PROPERTIES/COMMENTS	6/25/2020



TOP VIEW



SIDE VIEW

ITEM	PART #	QTY	DESCRIPTION	LENGTH	FINISH	UNIT WT
1	WP-SCAM5G-12.01	1	WOODPOLE SMALL CELL MOUNT 5G 12\" WLM'T		HDG	19.77
2	WP-SCAM5G-12.05	2	11 GA SHEET METAL		BARE	0.87
3	SFW3-1116G	2	3/16\" PLATE		HDG	0.46
4	TR58-18	2	5/8\" x 18\" A36 HDG ALL-THREAD	1'-6\"		1.56
6	27-5391-005	4	5/8\" HDG HEX NUT		HDG	0.08
5	27-5380-005	4	5/8\" HDG LOCK WASHER			0.03
7	27-9094-005	2	3/8\" x 4 SS 304 BOLT			0.16
8	27-9020-005	2	3/8\" SS LOCK WASHER			0.01
9	27-9030-005	2	3/8\" SS HEX NUT			0.02

THIS DESIGN AND INFORMATION CONTAINED ON THIS PRINT IS THE PROPERTY OF VALLEY FAB CORPORATION. ANY REPRODUCTION, DUPLICATION OR TRANSFER OF THE PROPRIETARY CONTENT IS PROHIBITED WITHOUT WRITTEN PERMISSION.

STANDARD TOLERANCES:

(UNLESS OTHERWISE NOTED)

FRACTIONS ±1/16"
DECIMALS ±0.01"
ANGLES ±0.5°



TOTAL WT: 26.35 LB

QTY:

FINISH:

JOB #:

TITLE:

WOOD POLE SMALL CELL ANTENNA MOUNT 5G
12\" ASSEMBLY

SERIES: WOODPOLE MOUNTING

SHEET: 1 OF 1

DRAWN BY:

WJ

DATE:

2/17/2020

CHK'D BY:

CJW

DRAWING NO.

WP-SCAM5G-12