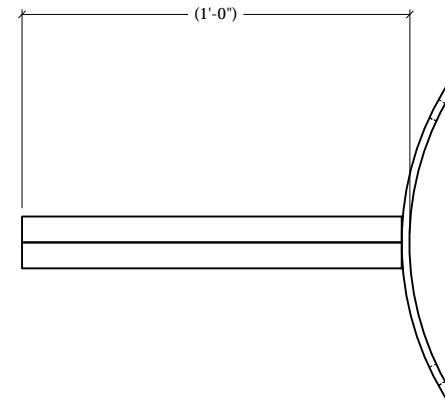
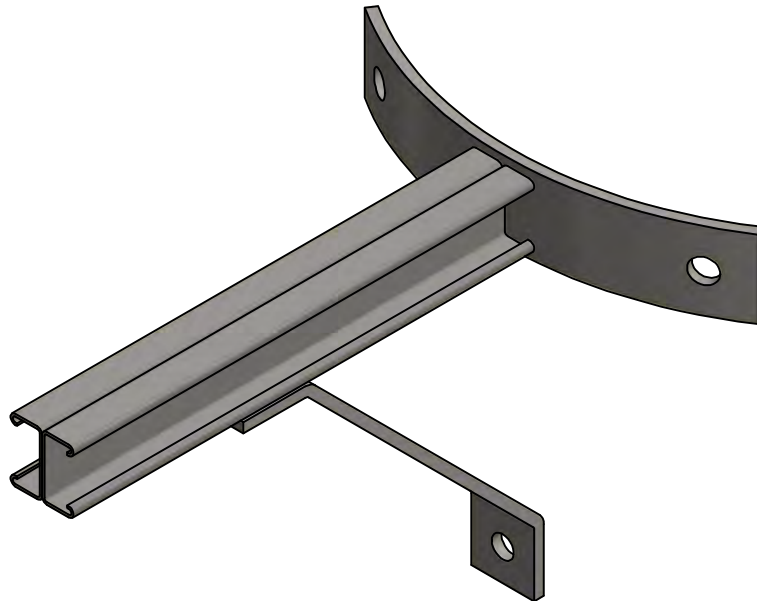
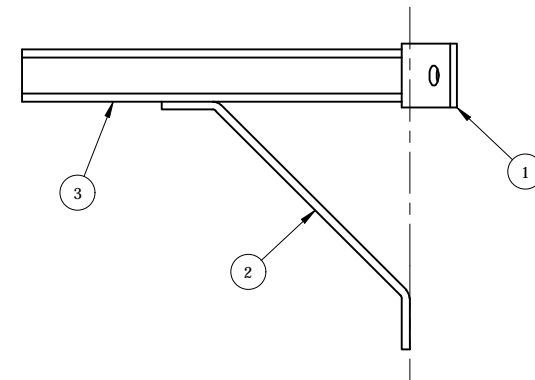


REV	BY	DESCRIPTION	DATE
A	KY	SEE MODEL IPROPERTIES	11/18/2021



TOP VIEW



SIDE VIEW

THIS DESIGN AND INFORMATION CONTAINED ON THIS PRINT IS THE PROPERTY OF VALLEY FAB CORPORATION. ANY REPRODUCTION, DUPLICATION OR TRANSFER OF THE PROPRIETARY CONTENT IS PROHIBITED WITHOUT WRITTEN PERMISSION.

STANDARD TOLERANCES:

(UNLESS OTHERWISE NOTED)

FRACTIONS ± 1/16"
 DECIMALS ± 0.01"
 ANGLES ± 0.5°



TOWER COMPONENTS. 503-792-3739
 10910 PORTLAND RD. BROOKS, OR 97305

TOTAL WT: 4.2 LB

QTY:

FINISH: HDG

JOB #:

ITEM	PART #	QTY	DESCRIPTION	LENGTH	GRADE	UNIT WT
1	WPCM.04	1	1/4" PLATE			1.46
2	WPCM.05	1	1/4" PLATE			1.34
3	WPCM-12.01	2	1 5/8" P4100 @ 1'-2 7/8" LONG	1'-2 7/8"		0.70

TITLE: WOODPOLE, 12" STANDOFF, SUPPORT MOUNT FOR CONDUIT, STRAP PLATE W/ BRACE		DRAWN BY: KY	DATE: 10/12/2021	CHK'D BY: -
SERIES: WOODPOLE MOUNT		SHEET: 1 OF 1		DRAWING NO.: WPCM-S12B