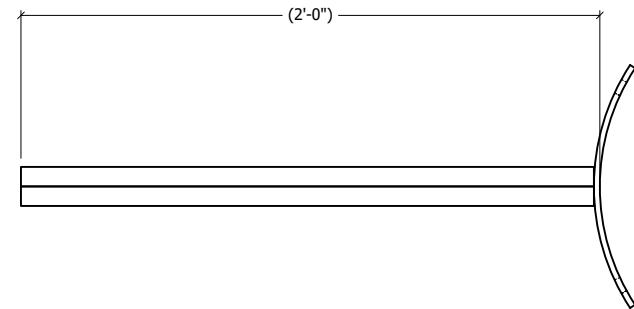
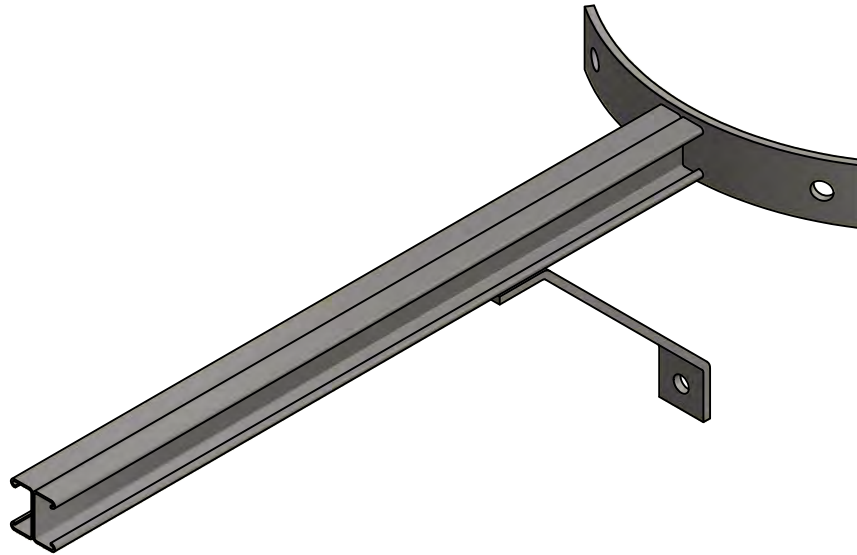
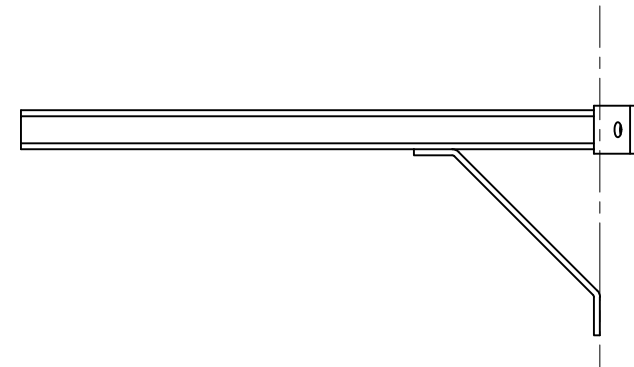


| REV | BY | DESCRIPTION           | DATE       |
|-----|----|-----------------------|------------|
| A   | KY | SEE MODEL IPROPERTIES | 11/18/2021 |



TOP VIEW



SIDE VIEW

THIS DESIGN AND INFORMATION CONTAINED ON THIS PRINT IS THE PROPERTY OF VALLEY FAB CORPORATION. ANY REPRODUCTION, DUPLICATION OR TRANSFER OF THE PROPRIETARY CONTENT IS PROHIBITED WITHOUT WRITTEN PERMISSION.

**STANDARD TOLERANCES:**  
(UNLESS OTHERWISE NOTED)  
FRACTIONS ±1/16"  
DECIMALS ±0.01"  
ANGLES ±0.5°



TOTAL WT: 5.6 LB  
QTY:  
FINISH: HDG  
JOB #:

TITLE: WOODPOLE, 24" STANDOFF, SUPPORT MOUNT FOR CONDUIT, STRAP PLATE W/ BRACE

DRAWN BY: KY DATE: 5/6/2022 CHK'D BY: -

SERIES: WOODPOLE MOUNT SHEET: 1 OF 1

DRAWING NO. WPCM-S24B