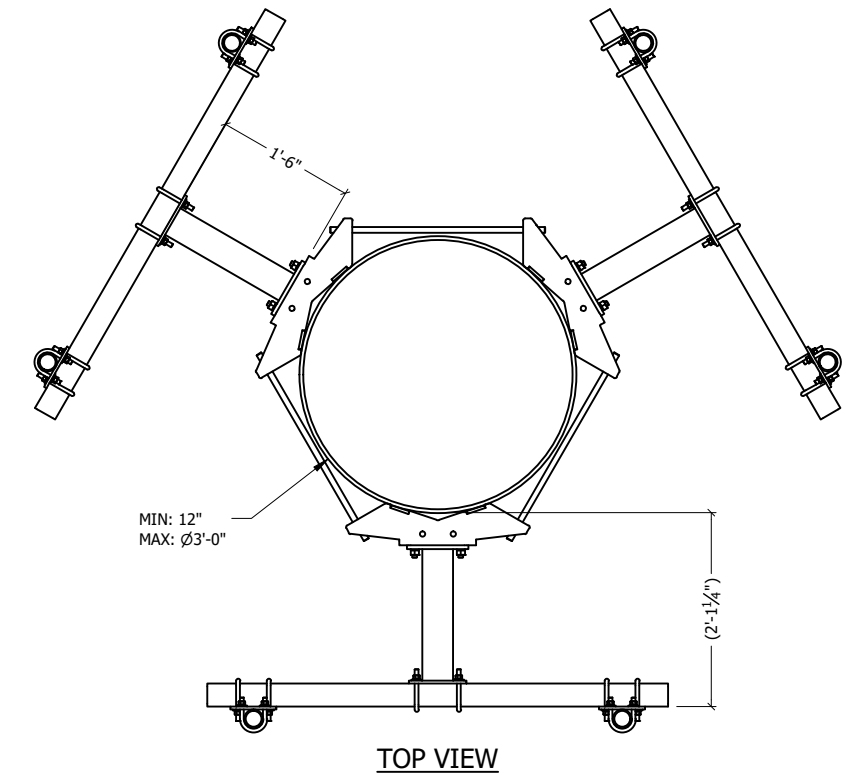
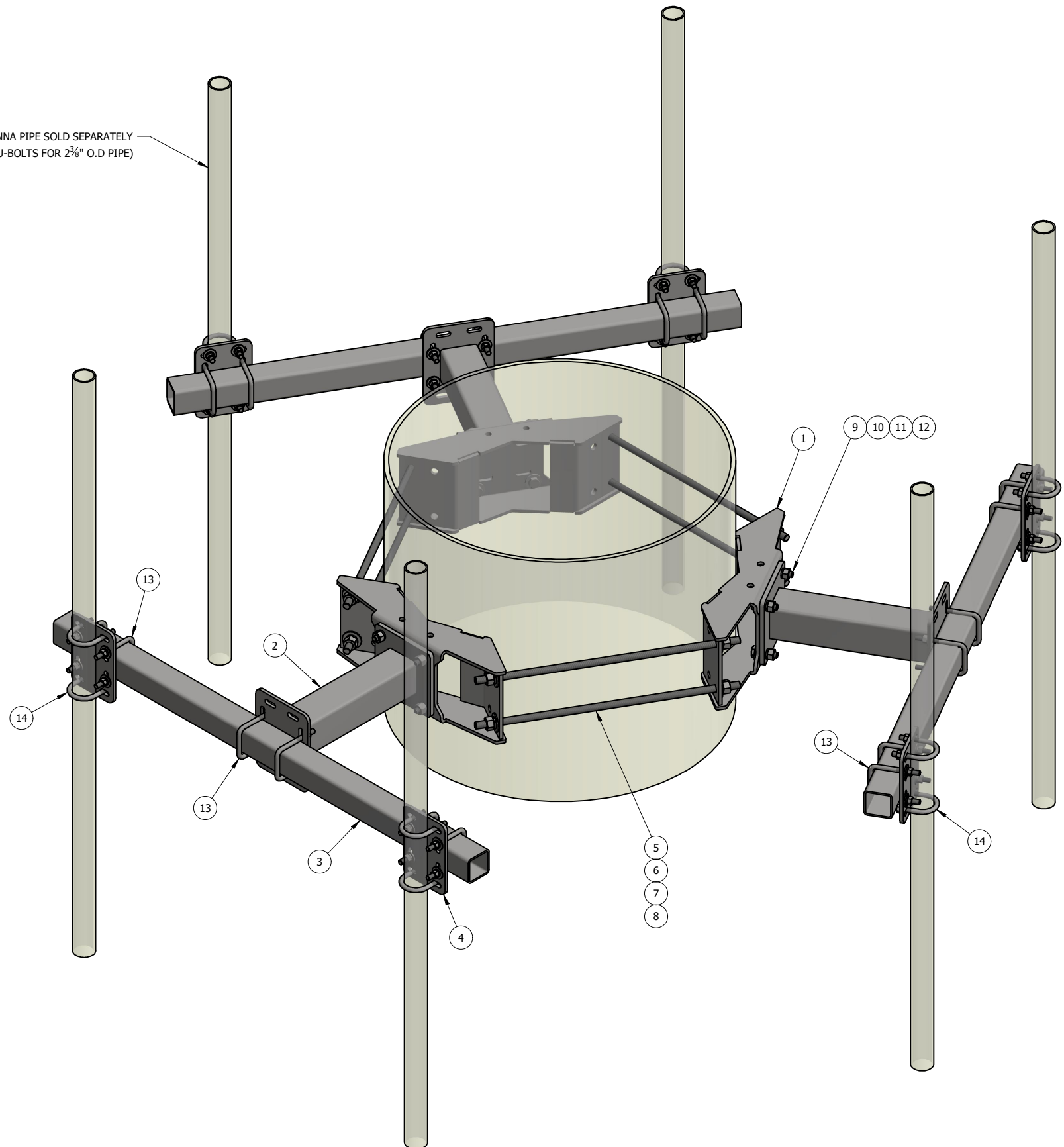


ANTENNA PIPE SOLD SEPARATELY
(INCLUDES U-BOLTS FOR 2 3/8" O.D PIPE)



ITEM	PART #	QTY	DESCRIPTION	LENGTH	FINISH	UNIT WT
1	M1236-3.01	3	UNIV. 12" TO 36" OD RING MOUNT WELDMENT		HDG	38.96
2	M3016-18.01	3	SINGLE ANTENNA 18" STAND OFF WELDMENT		HDG	27.91
3	ST3-316-60	3	HSS 3x3x3/16"	5'	HDG	34.35
4	CXP1	6	3/8" PLATE		SEE W/O	4.86
5	27-5580-005	6	3/4" x 28" B7 HDG ALL-THREAD	2'-4"		3.51
6	27-5481-005	12	3/4 A36 HDG FLAT WASHER			0.11
7	27-5490-005	12	3/4" HDG LOCK WASHER			0.04
8	27-5500-005	12	3/4" HDG HEAVY HEX NUT			0.21
9	27-5440-005	12	5/8" x 2 1/4" A325 HDG BOLT			0.30
10	27-5370-005	12	HDG - 5/8" FLAT WASHER, USS			0.08
11	27-5380-005	12	5/8" HDG LOCK WASHER			0.03
12	27-5390-005	12	5/8 HDG HEAVY HEX NUT			0.13
13	27-7008-005	18	GALV. 1/2" x 3-1/8" x 5" SQ. U-BOLT ASSEMBLY			0.78
14	27-6060-005	12	HDG - 1/2" x 2-1/2" x 4" U-BOLT ASSEMBLY		HDG	0.76

THIS DESIGN AND INFORMATION CONTAINED ON THIS PRINT IS THE PROPERTY OF VALLEY FAB CORPORATION. ANY REPRODUCTION, DUPLICATION OR TRANSFER OF THE PROPRIETARY CONTENT IS PROHIBITED WITHOUT WRITTEN PERMISSION.

STANDARD TOLERANCES:
(UNLESS OTHERWISE NOTED)
FRACTIONS ±1/16"
DECIMALS ±0.01"
ANGLES ±0.5°

NEWAVE
TOWER COMPONENTS, 503-792-3739
10910 PORTLAND RD. BROOKS, OR 97305

TOTAL WT: 387.85 LB
QTY:
FINISH: HDG
JOB #:

TITLE: 3-SECTION, 60" TUBE FACE T-FRAME
W/ 18" STAND-OFF, FITS 12" TO 36" O.D POLE

SERIES: MONOPOLE MOUNTING SHEET: 1 OF 1

DRAWN BY: KY DATE: 4/16/2024 CHK'D BY: -
DRAWING NO. M3050-18