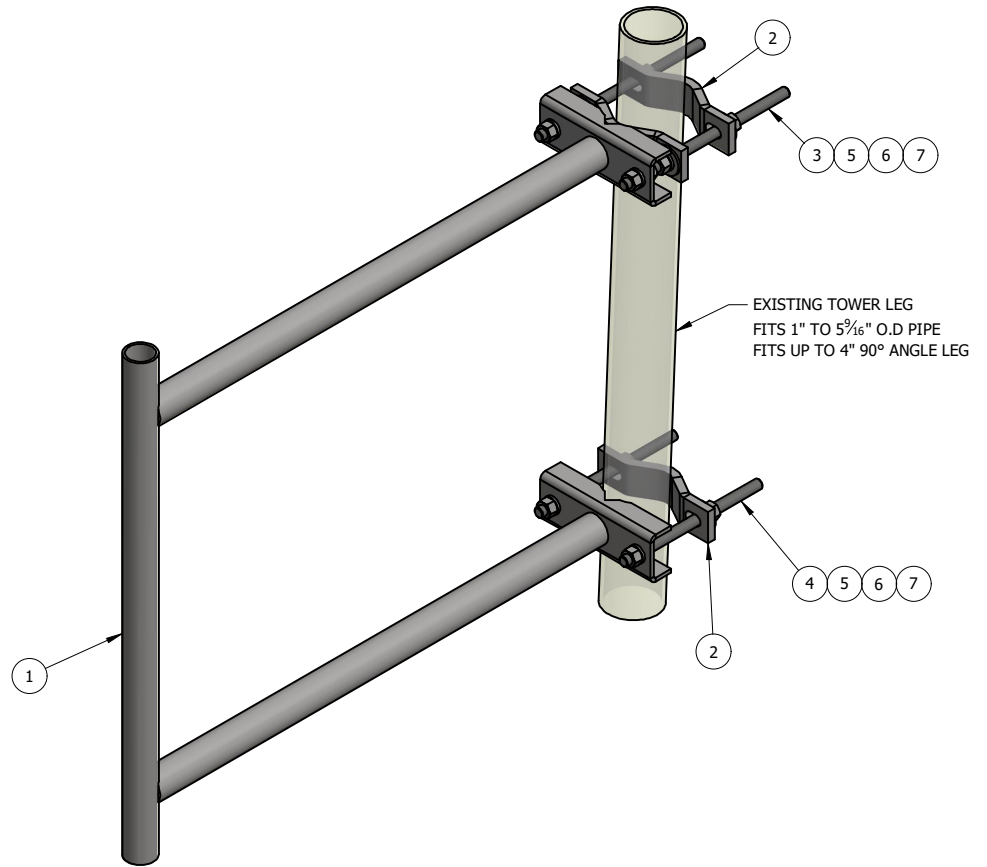


**SIDE VIEW**



ITEM	PART #	QTY	DESCRIPTION	FINISH	UNIT WT
1	AM1012-36.01	1	36" STAND OFF WELDMNT	HDG	27.76
2	AMCS-5.01	3	1/2" PLATE	SEE W/O	2.25
3	TR58-12	2	5/8" x 12" A36 HDG ALL-THREAD		1.04
4	TR58-10	2	5/8" x 10" A36 HDG ALL-THREAD		0.87
5	27-5370-005	6	5/8 A36 HDG FLAT WASHER		0.08
6	27-5380-005	12	5/8 HDG LOCK WASHER		0.03
7	27-5391-005	12	5/8" HDG HEX NUT		0.08

THIS DESIGN AND INFORMATION CONTAINED ON THIS PRINT IS THE PROPERTY OF VALLEY FAB CORPORATION. ANY REPRODUCTION, DUPLICATION OR TRANSFER OF THE PROPRIETARY CONTENT IS PROHIBITED WITHOUT WRITTEN PERMISSION.

**STANDARD TOLERANCES:**

(UNLESS OTHERWISE NOTED)

FRACTIONS ±1/16"  
 DECIMALS ±0.01"  
 ANGLES ±0.5°

**NEWAVE**  
 TOWER COMPONENTS. 503-792-3739  
 10910 PORTLAND RD. BROOKS, OR 97305

TOTAL WT: 40.1 LB

QTY:

FINISH:

JOB #:

TITLE:

**24" STAND OFF MOUNT FOR TAPERED MOUNTING  
 32" VERTICAL FACE PIPE**

SERIES: TOWER ANTENNA MOUNT

SHEET: 1 OF 1

DRAWN BY:

DATE: 8/16/2023

DRAWING NO.

AM1012-36T

CHK'D BY:

KY