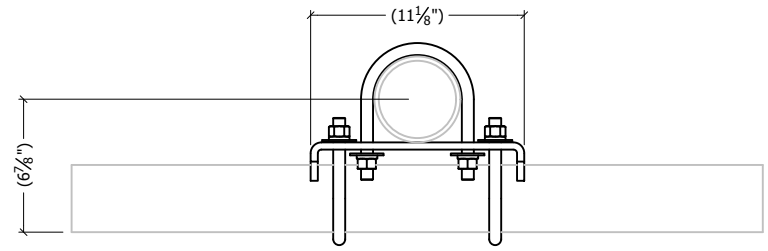
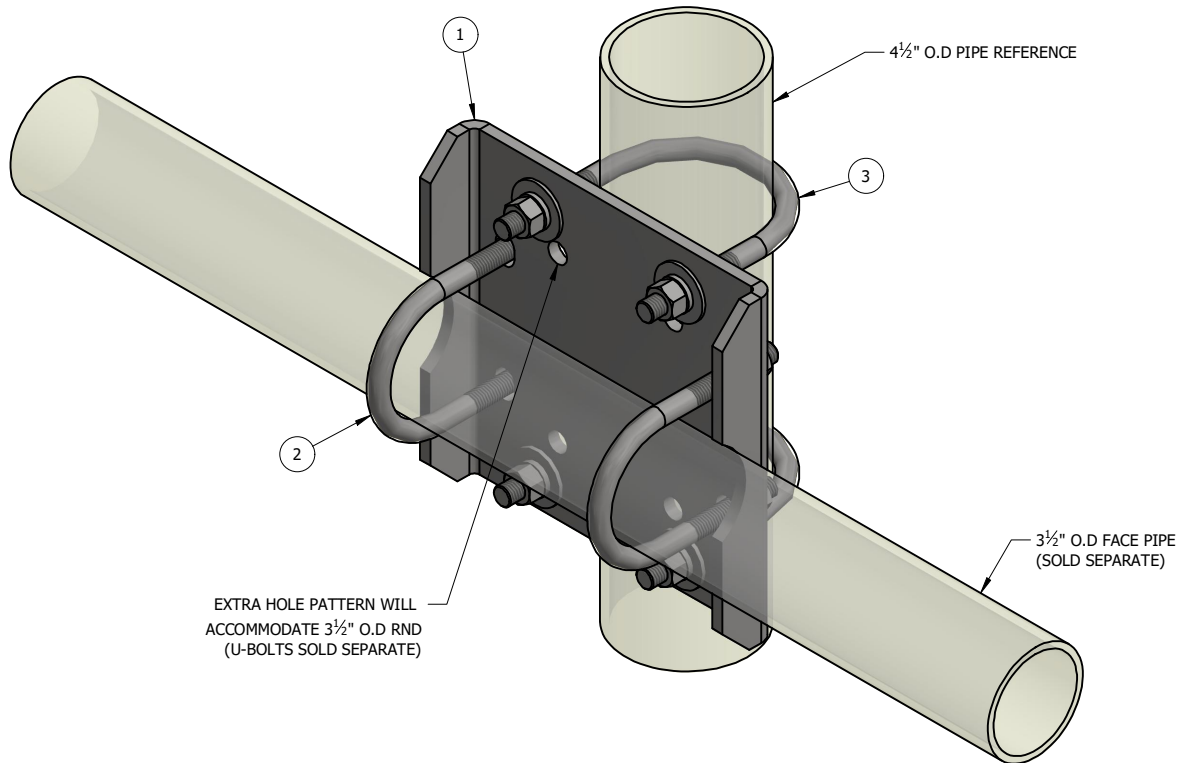


REV	BY	DESCRIPTION	DATE
A	KY	SEE MODEL I PROPERTIES/ COMMENTS	3/19/2014



TOP VIEW



EXTRA HOLE PATTERN WILL ACCOMMODATE 3 1/2" O.D RND (U-BOLTS SOLD SEPARATE)

THIS DESIGN AND INFORMATION CONTAINED ON THIS PRINT IS THE PROPERTY OF VALLEY FAB CORPORATION. ANY REPRODUCTION, DUPLICATION OR TRANSFER OF THE PROPRIETARY CONTENT IS PROHIBITED WITHOUT WRITTEN PERMISSION.

STANDARD TOLERANCES:
(UNLESS OTHERWISE NOTED)
FRACTIONS ±1/16"
DECIMALS ±0.01"
ANGLES ±0.5°

NEWAVE
TOWER COMPONENTS. 503-792-3739
10910 PORTLAND RD. BROOKS, OR 97305

TOTAL WT: 22.15 LB
QTY:
FINISH: HDG
JOB #:

ITEM	PART #	QTY	DESCRIPTION	LENGTH	FINISH	UNIT WT
1	AM1015-XP.01	1	3/8" PLATE		HDG	15.26
2	27-6200-005	2	GALV. 5/8" x 3-5/8" x 6" U-BOLT ASSEMBLY			1.66
3	27-6230-005	2	GALV. 5/8" x 4-5/8" x 6-1/2" U-BOLT ASSEMBLY			1.80

TITLE: CELLULAR FACE CROSS OVER CHANNEL PL KIT FOR 4-1/2" TO 3-1/2" O.D PIPE CONNECTION

SERIES: TOWER ANTENNA MOUNTING SHEET: 1 OF 1

DRAWN BY: JG DATE: 7/18/2018 CHK'D BY: KY
DRAWING NO. AM1015-XP