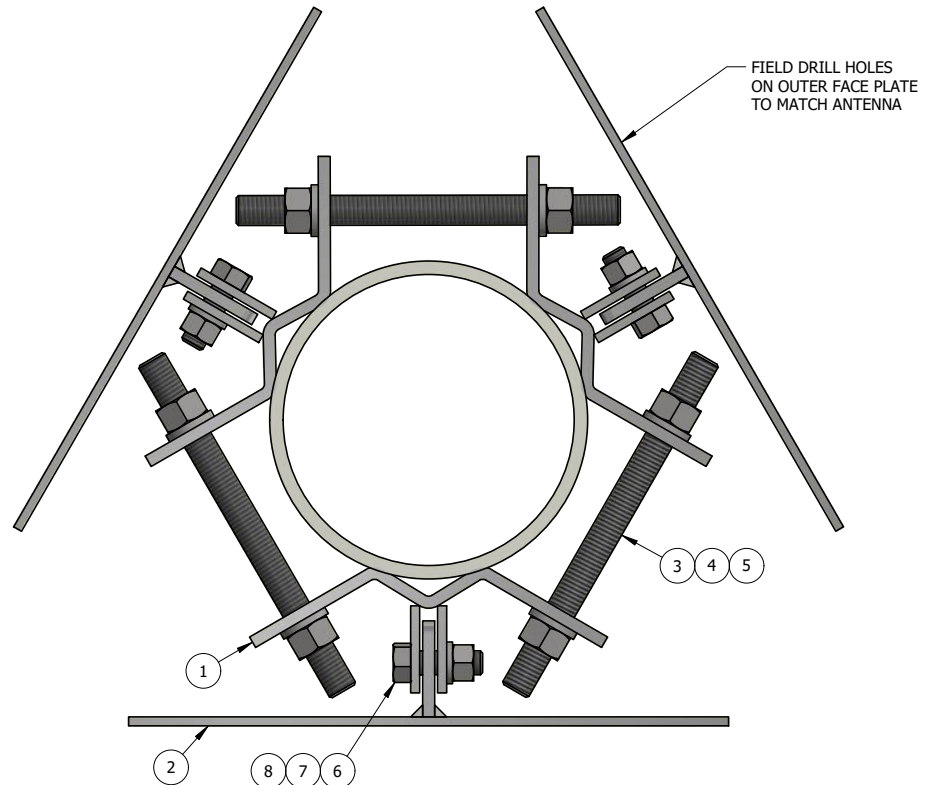


ITEM	PART #	DESCRIPTION	QTY	UNIT WT
1	AMPW.01	ANTENNA MOUNT STAND OFF WELDMENT	6	3.08
2	AMPW.05	ANTENNA MOUNT WELDMENT	6	2.30
3	TR58-8	5/8" x 8" A36 HDG ALL-THREAD	6	0.69
4	27-5380-005	5/8 HDG LOCK WASHER	12	0.03
5	27-5391-005	5/8" HDG HEX NUT	12	0.08
6	27-4301-005	1/2" x 1 1/2" GR.5 HDG BOLT	6	0.13
7	27-5210-005	1/2 HDG LOCK WASHER	6	0.01
8	27-5222-005	1/2 HDG HEX NUT	6	0.04



TOP VIEW
ANTENNAS HIDDEN FOR CLARITY

QTY:
CHK:

STANDARD TOLERANCES:
(UNLESS OTHERWISE NOTED)
FRACTIONS ±1/16"
DECIMALS ±.005"
ANGLES ±.5°

THIS DESIGN AND INFORMATION CONTAINED ON THIS PRINT IS THE PROPERTY OF NEWAVE TOWER COMPONENTS LLC. ANY REPRODUCTION, DUPLICATION OR TRANSFER OF THE PROPRIETARY CONTENT IS PROHIBITED WITHOUT WRITTEN PERMISSION.

NEWAVE
 TOWER COMPONENTS. 503-792-3739
 10910 PORTLAND RD. BROOKS, OR 97305

MATERIAL: AS SHOWN	DRAWN BY: JG	TITLE: ANTENNA MOUNT POWERWAVE KIT FITS 2-7/8" O.D TO 6-5/8" O.D PIPE		
HOLES: AS SHOWN	CHECKED BY: KY	SERIES: TOWER ANTENNA MOUNTING		
FINISH: HDG	DATE: 3/24/2014	PART WT (BARE): 39 LB	DRAWING NO. AMPW	SHEET: 1 OF 1