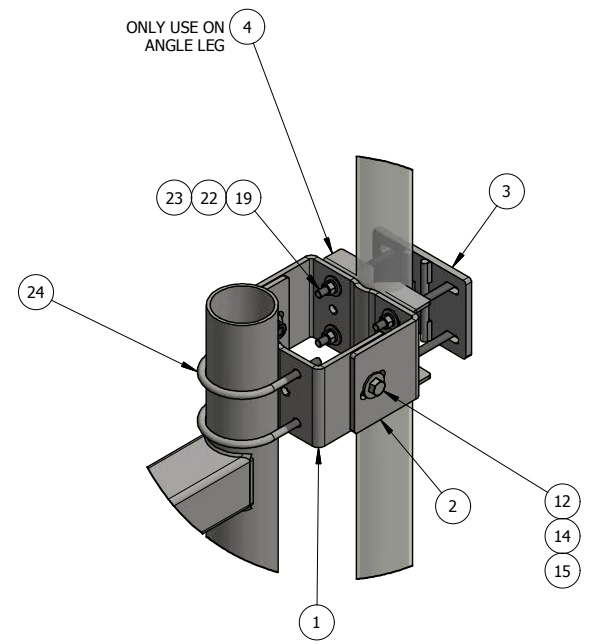
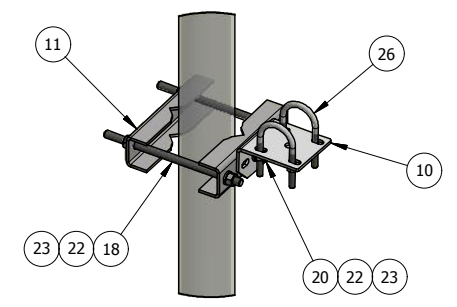


DETAIL - C

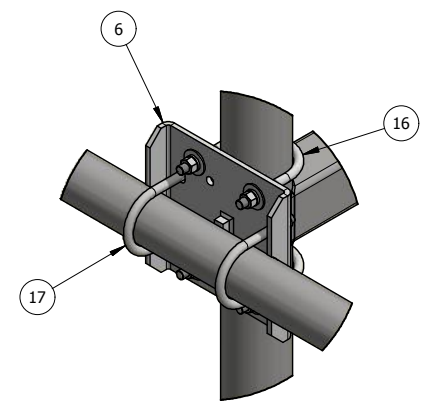
2-3/8" OR 2-7/8" O.D.
PIPE MOUNT KITS
SOLD SEPERATE



DETAIL - A



DETAIL - D



DETAIL - B

| ITEM | PART # | DESCRIPTION | QTY | UNIT WT |
|------|---------------|---|-----|---------|
| 1 | AM1028-U.01 | INSIDE ADJUSTABLE BENT TAPER U-BRACKET | 2 | 12.17 |
| 2 | AM1028-U.02 | OUTSIDE ADJUSTABLE BENT TAPER U-BRACKET | 2 | 12.57 |
| 3 | AM1028-4R.01 | UNIVERSAL CLAMP PLATE WELDMENT | 2 | 7.38 |
| 4 | AM1028-4U.01 | 1/4" BENT ANGLE MEMBER CLAMP PLATE | 2 | 4.64 |
| 5 | ATV1-33 | 33" STAND OFF WELDMENT | 1 | 169.55 |
| 6 | AM1015-XP.01 | CELLULAR FACE MOUNT FOR 3-1/2" TO 4-1/2" CROSS OVER | 2 | 15.61 |
| 7 | P35-156 | GALV. 3" STD PIPE @ 13'-0" LONG | 2 | 98.59 |
| 8 | P178-126 | GALV. 1-1/2" STD PIPE @ 10'-6" LONG | 2 | 28.57 |
| 9 | AM1030-23M.02 | STIFF ARM HALF CLAMP BRACKET WELDMENT | 2 | 0.92 |
| 10 | AM1031.03 | 3/16" STIFF ARM ANGLE MOUNT | 4 | 1.32 |
| 11 | AM1031HD.03 | 3/16" BENT CLAMP PLATE | 4 | 1.87 |
| 12 | 27-4403-005 | 5/8" x 2" GR.5 HDG BOLT | 4 | 0.27 |
| 13 | 27-5370-005 | 5/8" A36 HDG FLAT WASHER | 8 | 0.08 |
| 14 | 27-5380-005 | 5/8" HDG LOCK WASHER | 4 | 0.03 |
| 15 | 27-5391-005 | 5/8" HDG HEX NUT | 4 | 0.08 |
| 16 | 27-6230-005 | GALV. 5/8" x 4-5/8" x 6-1/2" U-BOLT ASSEMBLY | 4 | 1.80 |
| 17 | 27-6200-005 | GALV. 5/8" x 3-5/8" x 6" U-BOLT ASSEMBLY | 4 | 1.66 |
| 18 | TR12-10 | GALV. 1/2" x 10" ALL-THREAD | 4 | 0.56 |
| 19 | 27-4320-005 | GALV. 1/2" x 7" GR.5 FULL THREADED BOLT | 8 | 0.44 |
| 20 | 27-4300-005 | 1/2" x 1 1/4" GR.5 HDG BOLT | 4 | 0.12 |
| 21 | 27-5200-005 | 1/2" A36 HDG FLAT WASHER | 16 | 0.04 |
| 22 | 27-5210-005 | 1/2" HDG LOCK WASHER | 20 | 0.01 |
| 23 | 27-5222-005 | 1/2" HDG HEX NUT | 20 | 0.04 |
| 24 | 27-6140-005 | GALV. 1/2" x 4 5/8" x 6 1/2" U-BOLT ASSEMBLY | 4 | 1.11 |
| 25 | 27-6090-005 | GALV. 1/2" x 3 5/8" x 5" U-BOLT ASSEMBLY | 2 | 0.91 |
| 26 | 27-6040-005 | GALV. 3/8" x 2" x 4" U-BOLT ASSEMBLY | 8 | 0.39 |

QTY:
CHK:

STANDARD TOLERANCES:
(UNLESS OTHERWISE NOTED)

| | |
|-----------|--------|
| FRACTIONS | ±1/16" |
| 1 DECIMAL | ±.1" |
| 2 DECIMAL | ±.03" |
| 3 DECIMAL | ±.005" |
| ANGLES | ±.5° |

THIS DESIGN AND INFORMATION CONTAINED ON THIS PRINT IS THE PROPERTY OF NEWAVE TOWER COMPONENTS LLC. ANY REPRODUCTION, DUPLICATION OR TRANSFER OF THE PROPRIETARY CONTENT IS PROHIBITED WITHOUT WRITTEN PERMISSION.

NEWAVE
Tower Components, 503-792-3739
10910 PORTLAND RD. BROOKS, OR 97305

| | |
|-----------|----------|
| MATERIAL: | AS SHOWN |
| GRADE: | AS SHOWN |
| FINISH: | HDG |

| | | | |
|-----------|---|-----------------|-------------|
| TITLE: | 1-SECTOR, 13' FACE FRAME, ADJ. TAPER, FITS 1-1/2" TO 5" O.D ROUND LEG | | |
| SERIES: | TOWER ANTENNA MOUNT | | |
| DATE: | CHECKED BY: | PART WT (BARE): | DRAWING NO. |
| 1/26/2018 | - | 576.5 LB | ATV1-312-1 |

ANT.15959