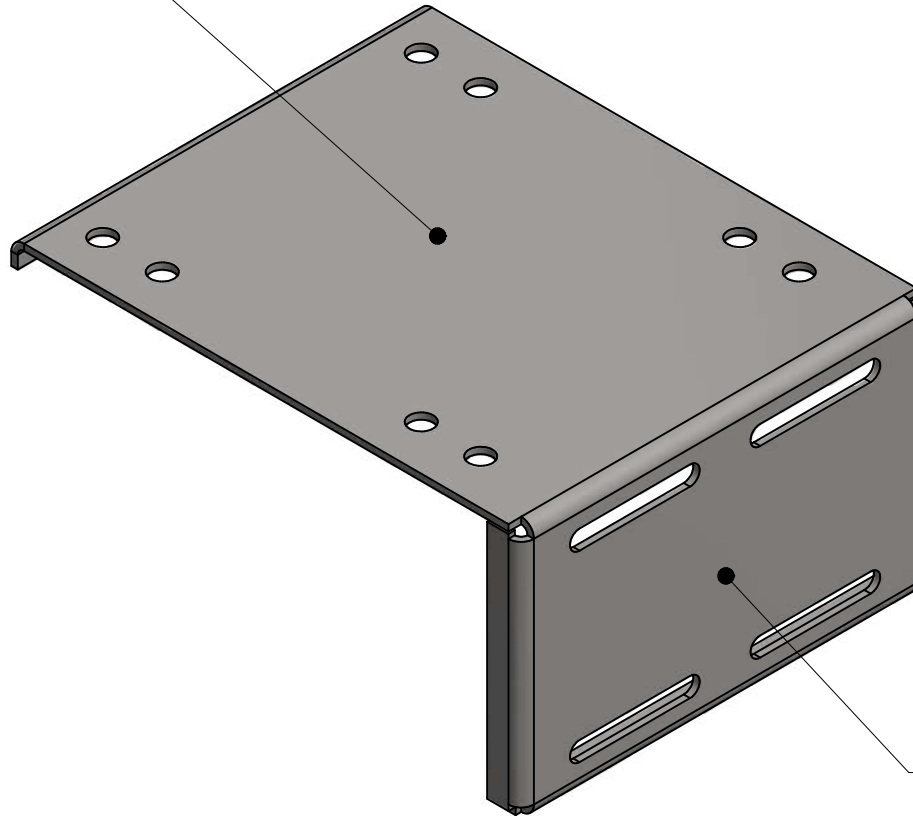
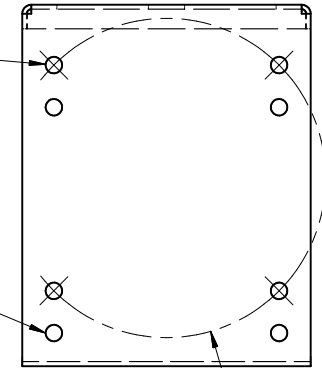


BEACON MOUNTING LOCATION



$\phi 1\frac{1}{16}$ "

OPTIONAL 2ND SET OF MOUNT HOLES OFFSET



$\phi 1'-1\frac{1}{4}$ "

TOP VIEW

MOUNT TO EXISTING TOWER LEG
($\phi \frac{1}{2}$ " MOUNTING HARDWARE SOLD SEPERATE)

THIS DESIGN AND INFORMATION CONTAINED ON THIS PRINT IS THE PROPERTY OF VALLEY FAB CORPORATION. ANY REPRODUCTION, DUPLICATION OR TRANSFER OF THE PROPRIETARY CONTENT IS PROHIBITED WITHOUT WRITTEN PERMISSION.

STANDARD TOLERANCES:
(UNLESS OTHERWISE NOTED)

FRACTIONS $\pm 1/16$ "
DECIMALS ± 0.01 "
ANGLES $\pm 0.5^\circ$



TOWER COMPONENTS. 503-792-3739
10910 PORTLAND RD. BROOKS, OR 97305

TOTAL WT: 14.75 LB

QTY:

FINISH: HDG

JOB #:

TITLE: BEACON BRACKET, SIDE MOUNT ON TOWER LEG
FITS 1-1/2" - 8" O.D LEG

SERIES: TOWER MOUNT

DRAWN BY:	DATE:	CHK'D BY:
KY	1/21/2022	-

DRAWING NO. BCN-BRKT-01

SHEET: 2 OF 2