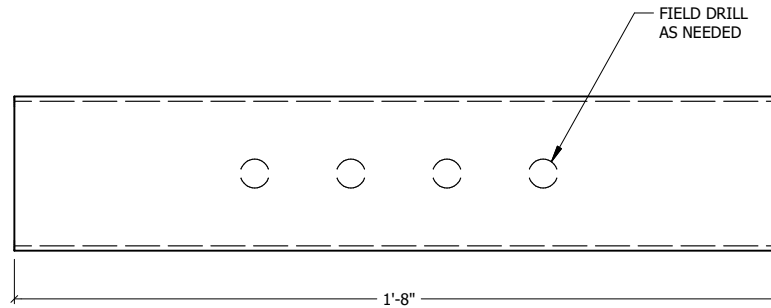
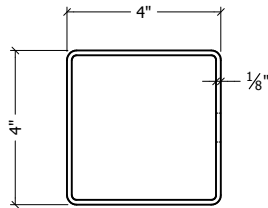
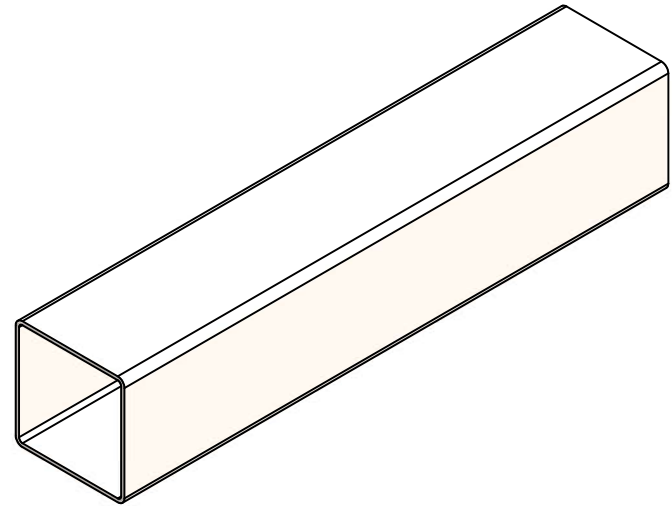


REV	BY	DESCRIPTION	DATE
A	KY	SEE MODEL I PROPERTIES/ COMMENTS	11/20/2018




FIELD DRILL
AS NEEDED

THIS DESIGN AND INFORMATION CONTAINED ON THIS PRINT IS THE PROPERTY OF VALLEY FAB CORPORATION. ANY REPRODUCTION, DUPLICATION OR TRANSFER OF THE PROPRIETARY CONTENT IS PROHIBITED WITHOUT WRITTEN PERMISSION.

STANDARD TOLERANCES:
(UNLESS OTHERWISE NOTED)

FRACTIONS ±1/16"
DECIMALS ±0.01"
ANGLES ±0.5°



NEWAVE
TOWER COMPONENTS. 503-792-3739
10910 PORTLAND RD. BROOKS, OR 97305

TOTAL WT: 1.75 LB

QTY:

FINISH: WHITE

JOB #:

GRADE	DESCRIPTION		
PVC	HST 4"x4"x1/8"		
TITLE:	PVC ROOF SLEEPER SQUARE TUBE FITS 4 RUNS OF COAX	DRAWN BY:	DATE:
		JR	9/5/2018
		CHK'D BY:	KY
SERIES: COAX SUPPORT	SHEET: 1 OF 1	DRAWING NO. CA1600-4	