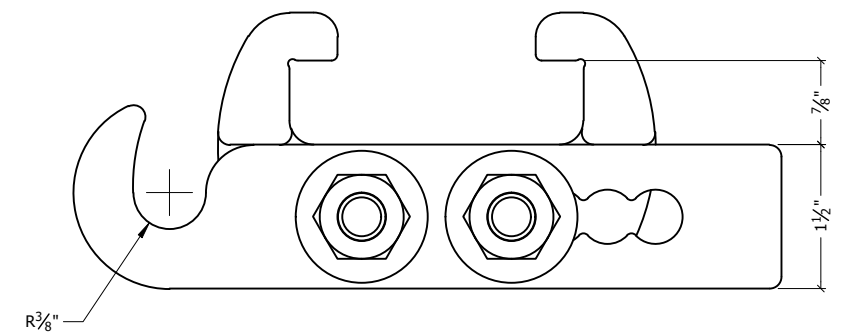
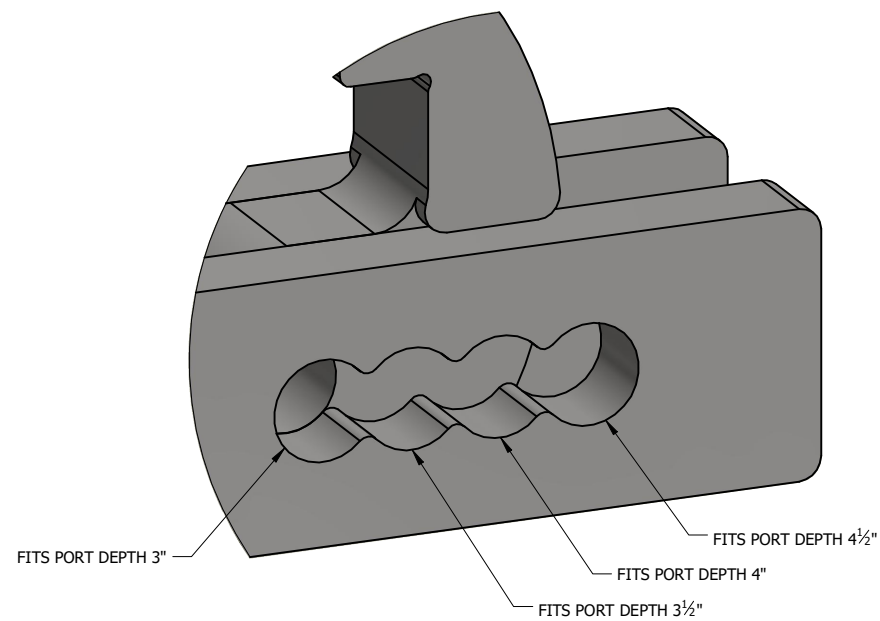


TOP VIEW



SIDE VIEW

USE ONLY WITH PORT DEPTH: 3", 3 1/2", 4" & 4 1/2"



DETAIL - A  
HARDWARE NOT SHOWN  
FOR VISIBILITY

THIS DESIGN AND INFORMATION CONTAINED ON THIS PRINT IS THE PROPERTY OF VALLEY FAB CORPORATION. ANY REPRODUCTION, DUPLICATION OR TRANSFER OF THE PROPRIETARY CONTENT IS PROHIBITED WITHOUT WRITTEN PERMISSION.	
<b>STANDARD TOLERANCES:</b> (UNLESS OTHERWISE NOTED) FRACTIONS ±1/16" DECIMALS ±0.01" ANGLES ±0.5°	<b>NEWAVE</b> TOWER COMPONENTS, 503-792-3739 10910 PORTLAND RD. BROOKS, OR 97305
TOTAL WT:	5.05 LB
QTY:	
FINISH:	HDG
JOB #:	

ITEM	PART #	QTY	DESCRIPTION	LENGTH	FINISH	UNIT WT
1	CCHB1.01	2	1/2" PLATE		HDG	1.29
2	CCHB1.02	2	1" PLATE		HDG	0.86
3	27-4307-005	2	1/2" x 3" GR.5 HDG BOLT			0.22
4	27-5200-005	4	HDG - 1/2" FLAT WASHER, USS			0.04
5	27-5210-005	2	1/2 HDG LOCK WASHER			0.01
6	27-5220-005	2	1/2 HDG HEAVY HEX NUT			0.07

TITLE: COAX CABLE HANGER BRACKET ASSEMBLY			DRAWN BY: WJ	DATE: 6/23/2023	CHK'D BY: KY
SERIES: COAX ACCESSORIES			DRAWING NO. CCHB1		SHEET: 1 OF 1