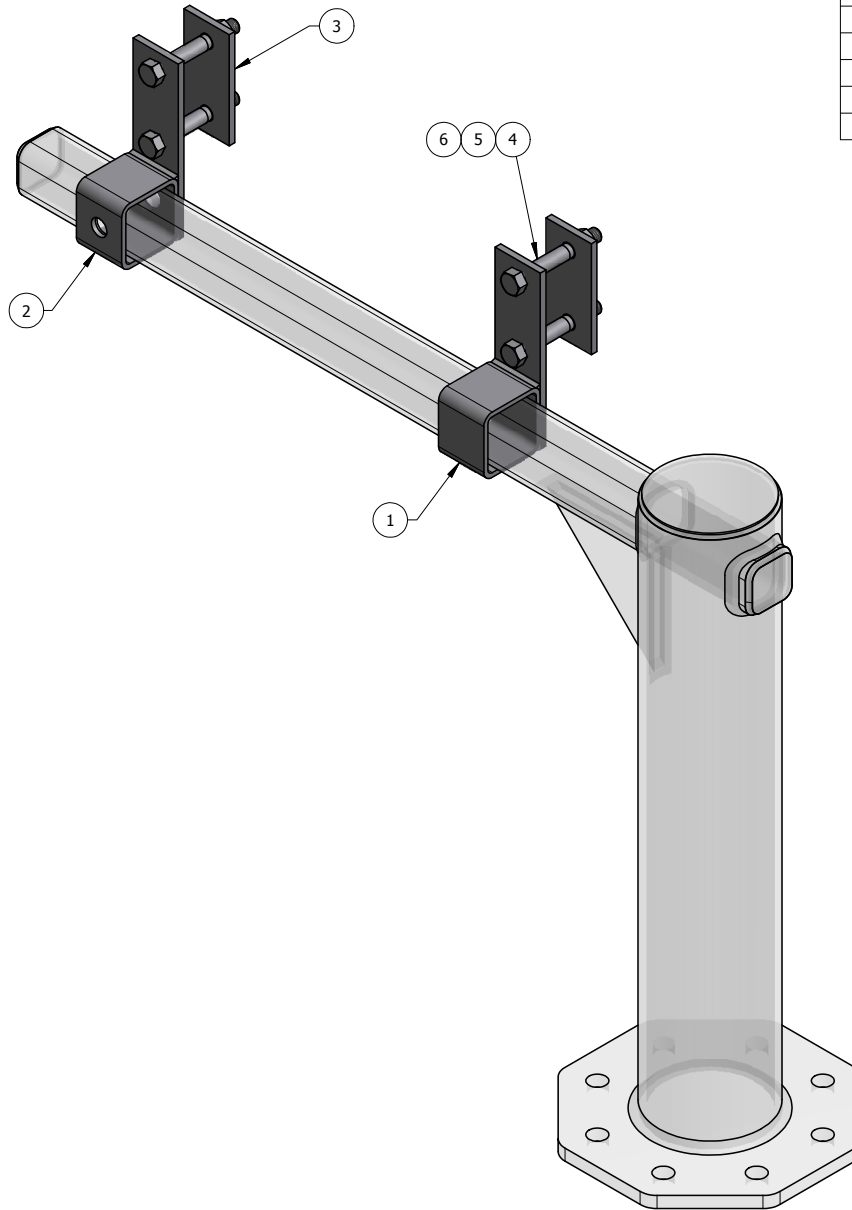


ITEM	PART #	DESCRIPTION	QTY
1	HRH-B2.01	HITCH RECEIVER HOLSTER WELDMENT	1
2	HRH-B2.02	HITCH RECEIVER HOLSTER WELDMENT W/ MOUNTING HOLE	1
3	HRH-B2.03	1/4" BACK CLAMP PLATE	2
4	27-0730-001	ZINC - 1/2" x 3-1/2" GR.5 BOLT	4
5	27-0670-001	ZINC - 1/2" LOCK WASHER	4
6	27-0650-001	ZINC - 1/2" HEX NUT	4



QTY:
CHK:

STANDARD TOLERANCES:
(UNLESS OTHERWISE NOTED)
FRACTIONS ±1/16"
DECIMALS ±.005"
ANGLES ±.5°

THIS DESIGN AND INFORMATION CONTAINED ON THIS PRINT IS THE PROPERTY OF NEWAVE TOWER COMPONENTS LLC. ANY REPRODUCTION, DUPLICATION OR TRANSFER OF THE PROPRIETARY CONTENT IS PROHIBITED WITHOUT WRITTEN PERMISSION.

NEWAVE
Tower Components. 503-792-3739
10910 PORTLAND RD. BROOKS, OR 97305

MATERIAL: AS SHOWN
DRAWN BY: Drafter
HOLES: AS SHOWN
CHECKED BY:
FINISH: BLACK
DATE: 1/15/2013

TITLE: HITCH RECIEVER HOLSTER BOLT ON MOUNT
SERIES: RIGGING
PART WT (BARE): 5.9 LB
DRAWING NO. HRH-B2
SHEET: 1 OF 1