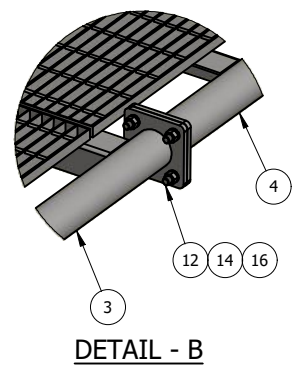
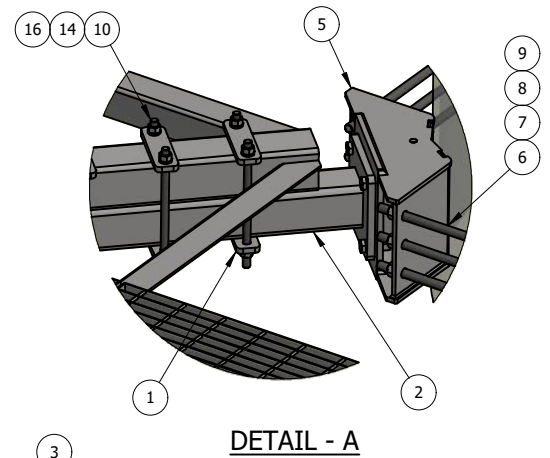
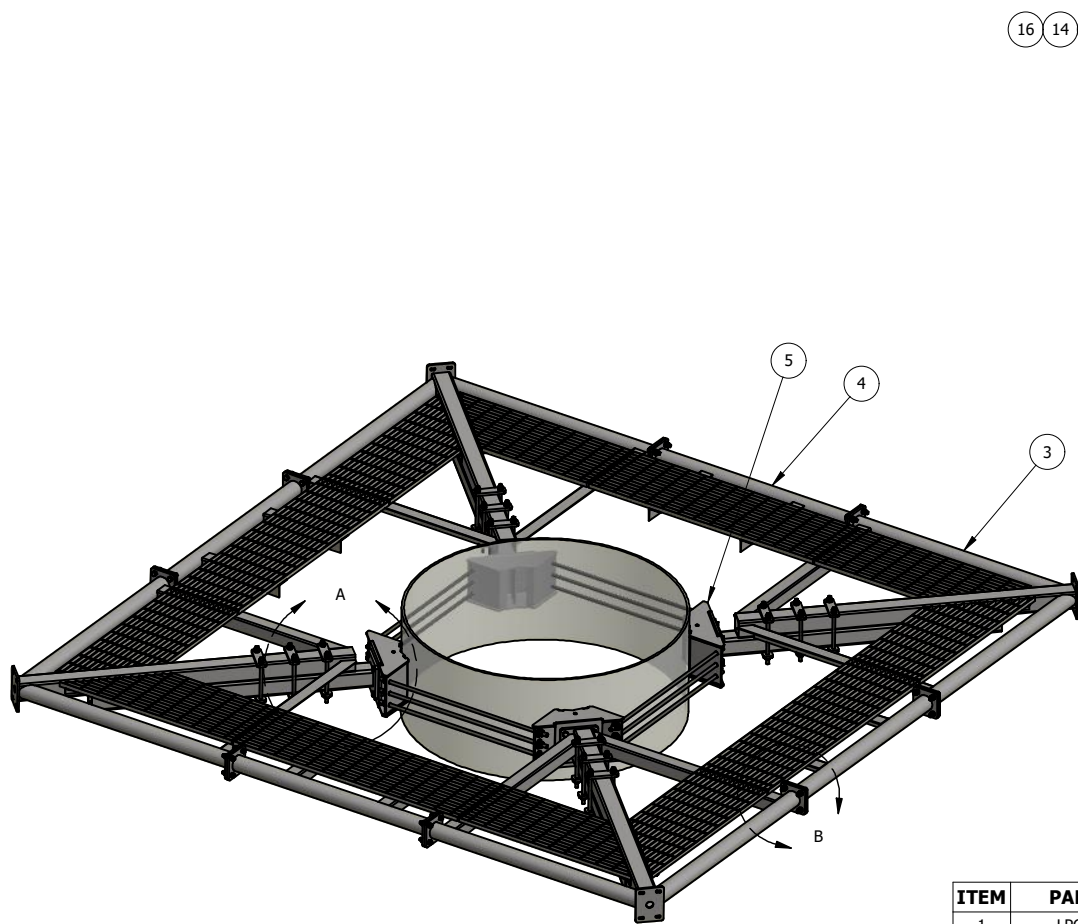


REV	BY	DESCRIPTION	DATE
A	KY	SEE ASSEMBLY PROPERTIES/ COMMENTS	6/14/2017



ITEM	PART #	QTY	DESCRIPTION	LENGTH	FINISH	UNIT WT
1	LPCP.01	12	1/2" PLATE			1.81
2	LPCP.05	4	LOW PROFILE 5'-0" STAND OFF WELDMENT		HDG	70.24
3	LPCP-12Q.01	4	LOW PRO. QUAD PLATFORM CORNER FRAME WLM'T		HDG	217.99
4	LPCP-12Q.11	4	LOW PRO. QUAD PLATFORM MIDDLE FRAME WLM'T		HDG	85.22
5	MF1060-4.01	4	HD 4-SECTOR 10" TO 60" O.D RING MOUNT		HDG	53.89
6	27-5588-005	12	3/4" x 42" B7 HDG ALL-THREAD	3'-6"		5.26
7	27-5481-005	24	3/4" A36 HDG FLAT WASHER			0.11
8	27-5490-005	24	3/4" HDG LOCK WASHER			0.04
9	27-5501-005	24	3/4" HDG HEX NUT			0.14
10	TR58-12	24	5/8" x 12" A36 HDG ALL-THREAD	1'		1.04
11	27-5440-005	16	5/8" x 2 1/4" A325 HDG BOLT			0.30
12	27-4404-005	32	5/8" x 2 1/4" GR.5 HDG BOLT			0.29
13	27-5370-005	16	5/8 A36 HDG FLAT WASHER			0.08
14	27-5380-005	96	5/8 HDG LOCK WASHER			0.03
15	27-5390-005	16	5/8" HDG HEAVY HEX NUT			0.13
16	27-5391-005	80	5/8" HDG HEX NUT			0.08

THIS DESIGN AND INFORMATION CONTAINED ON THIS PRINT IS THE PROPERTY OF VALLEY FAB CORPORATION. ANY REPRODUCTION, DUPLICATION OR TRANSFER OF THE PROPRIETARY CONTENT IS PROHIBITED WITHOUT WRITTEN PERMISSION.

STANDARD TOLERANCES:
 (UNLESS OTHERWISE NOTED)
 FRACTIONS ±1/16"
 DECIMALS ±0.01"
 ANGLES ±0.5°

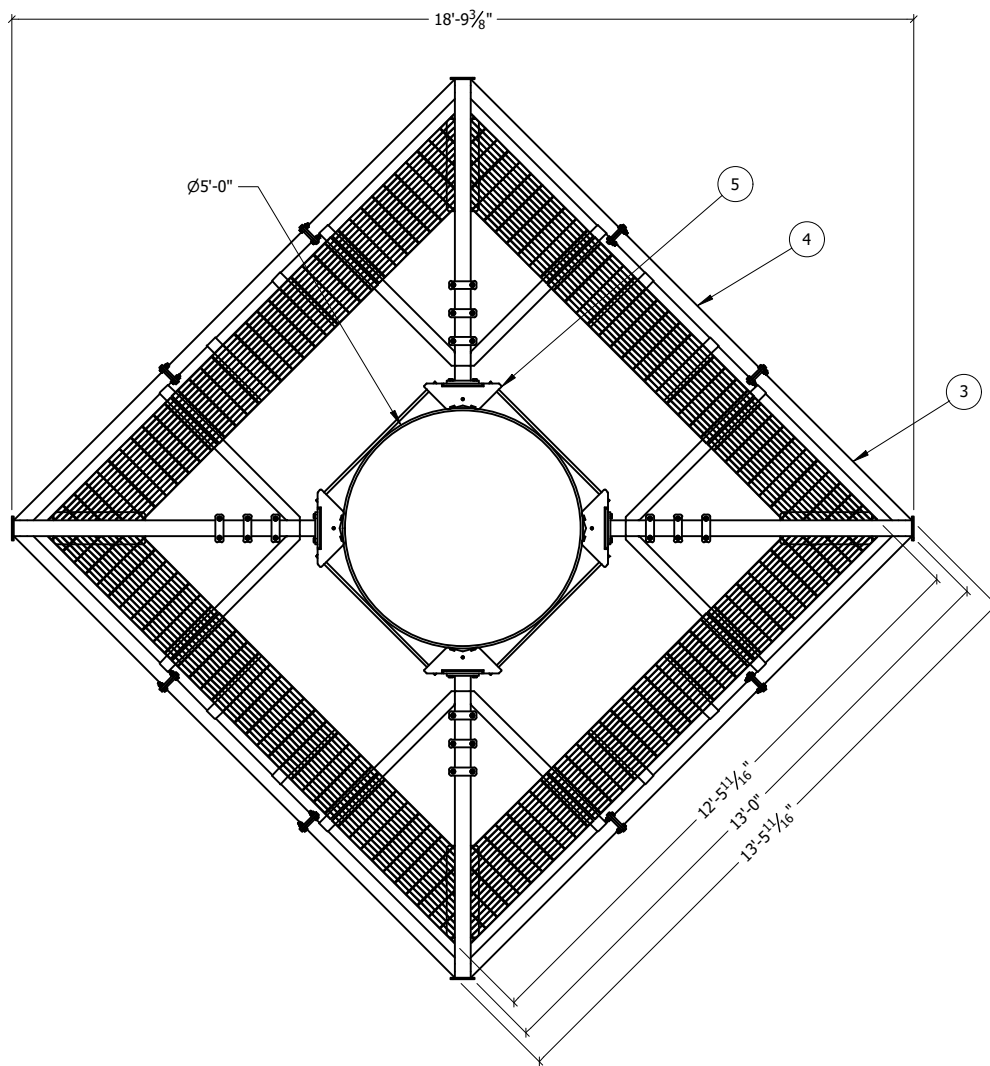

NEWAVE
 TOWER COMPONENTS. 503-792-3739
 10910 PORTLAND RD. BROOKS, OR 97305

TOTAL WT: 1853 LB
 QTY:
 FINISH:
 JOB #:

TITLE: **LOW PROFILE QUAD PLATFORM**
12'-6" MOUNT FACE, (13'-6" OVERALL WITH)
 SERIES: MONOPOLE MOUNTING SHEET: 1 OF 2

DRAWN BY: JG DATE: 7/17/2018 CHK'D BY: KY
 DRAWING NO. LPCP-12Q

REV	BY	DESCRIPTION	DATE
A	KY	SEE ASSEMBLY PROPERTIES/ COMMENTS	6/14/2017



TOP VIEW

THIS DESIGN AND INFORMATION CONTAINED ON THIS PRINT IS THE PROPERTY OF VALLEY FAB CORPORATION. ANY REPRODUCTION, DUPLICATION OR TRANSFER OF THE PROPRIETARY CONTENT IS PROHIBITED WITHOUT WRITTEN PERMISSION.

STANDARD TOLERANCES:

(UNLESS OTHERWISE NOTED)

FRACTIONS ±1/16"
 DECIMALS ±0.01"
 ANGLES ±0.5°

NEWAVE
 TOWER COMPONENTS. 503-792-3739
 10910 PORTLAND RD. BROOKS, OR 97305

TOTAL WT: 1853 LB

QTY:

FINISH:

JOB #:

TITLE:

LOW PROFILE QUAD PLATFORM
 12'-6" MOUNT FACE, (13'-6" OVERALL WITH)

SERIES: MONOPOLE MOUNTING

SHEET: 2 OF 2

DRAWN BY:

JG

DATE:

7/17/2018

CHK'D BY:

KY

DRAWING NO.

LPCP-12Q