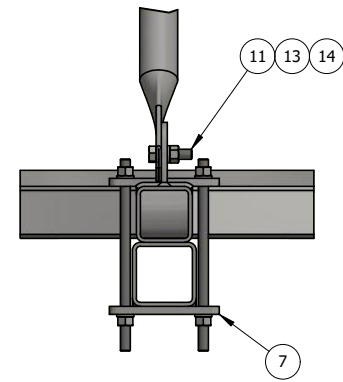
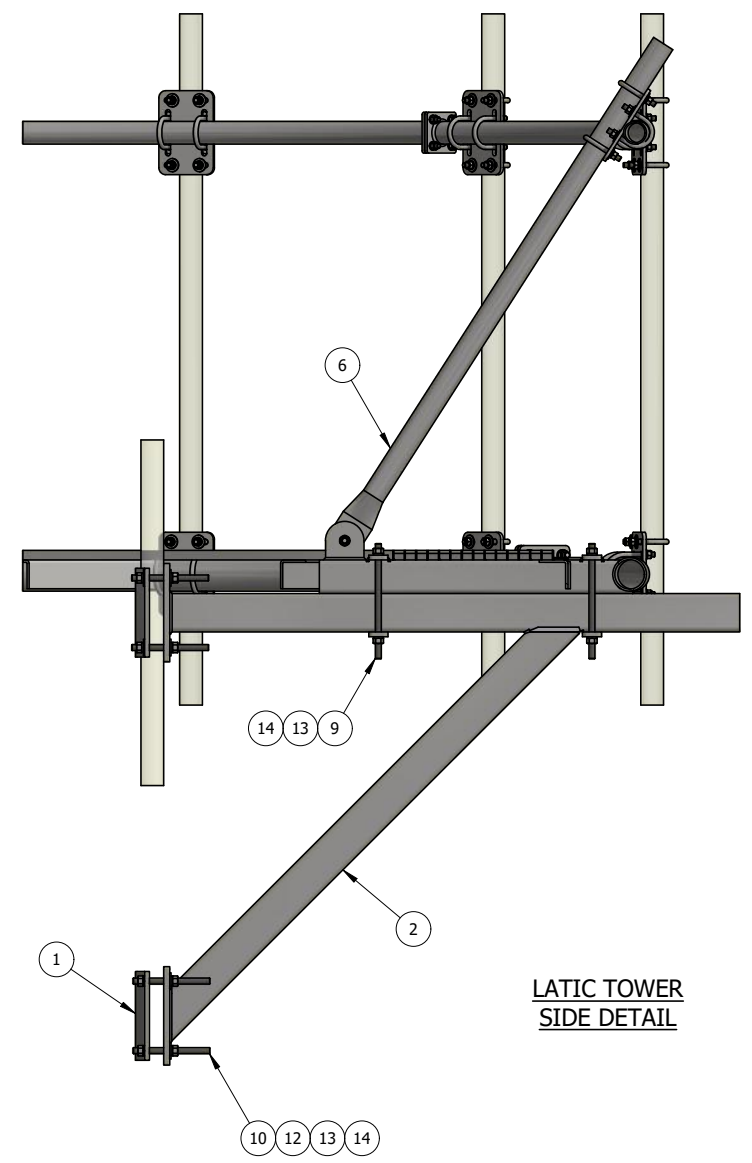


DETAIL A



DETAIL B



LATIC TOWER
SIDE DETAIL

ITEM	PART #	DESCRIPTION	QTY	UNIT WT
1	LPRP-12-LT.07	LATIC TOWER BACK CLAMP	6	10.51
2	LPCP-LTW.01	5'-0" STAND OFF WELDMENT	3	145.37
3	LPCP-12R.01	12' RND, LOW-PRO PLATFORM MAIN SUPPORT WELDMENT	3	130.07
4	LPCP-12R.09	12' RND, LOW-PRO PLATFORM MID-SECTION WELDMENT	3	132.31
5	LPCP-12R.14	12' RND, LOW-PRO PLATFORM 90° CURVED PIPE WELDMENT	4	37.05
6	LPCP-12R.17	LOW-PRO PLATFORM, KICKER SUPPORT PIPE	3	19.04
7	LPCP.01	1/2" PLATE	6	1.81
8	CXP1	3/8" PLATE	27	4.86
9	TR58-12	HDG 5/8" x 12" ALL-THD A307 GR-A (OR GREATER)	12	1.04
10	25-TR58-8	5/8" x 8" B7 HDG ALL-THREAD	24	0.69
11	27-4404-005	5/8" x 2 1/4" GR.5 HDG BOLT	27	0.29
12	27-5370-005	5/8" A36 HDG FLAT WASHER	36	0.08
13	27-5380-005	5/8" HDG LOCK WASHER	99	0.03
14	27-5391-005	5/8" HDG HEX NUT	99	0.08
15	27-4302-005	1/2" x 1 3/4" GR.5 HDG BOLT	16	0.15
16	27-5210-005	1/2 HDG LOCK WASHER	16	0.01
17	27-5222-005	1/2 HDG HEX NUT	16	0.04
18	27-6090-005	GALV. 1/2" x 3 5/8" x 5" U-BOLT ASSEMBLY	24	0.90
19	27-6060-005	HDG - 1/2" x 2-1/2" x 4" U-BOLT ASSEMBLY	84	0.76

QTY:
CHK:

STANDARD TOLERANCES:
(UNLESS OTHERWISE NOTED)
FRACTIONS ±1/16"
DECIMALS ±.005"
ANGLES ±.5°

THIS DESIGN AND INFORMATION CONTAINED ON THIS PRINT IS THE PROPERTY OF NEWAVE TOWER COMPONENTS LLC. ANY REPRODUCTION, DUPLICATION OR TRANSFER OF THE PROPRIETARY CONTENT IS PROHIBITED WITHOUT WRITTEN PERMISSION.

NEWAVE
TOWER COMPONENTS. 503-792-3739
10910 PORTLAND RD. BROOKS, OR 97305

MATERIAL: AS SHOWN
HOLES: AS SHOWN
FINISH: HDG

DRAWN BY: CJW
CHECKED BY:
DATE: 3/6/2014

TITLE: 12' ROUND LOW PROFILE CO-LOCATION PLATFORM
SERIES: MONOPOLE MOUNTING
PART WT (BARE): 1773.9 LB
DRAWING NO. LPCP-12R-LT
SHEET: 1 OF 1