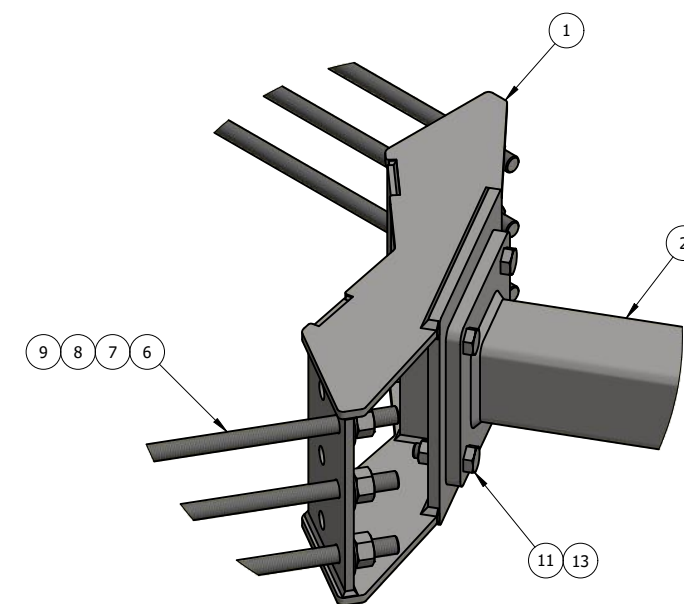
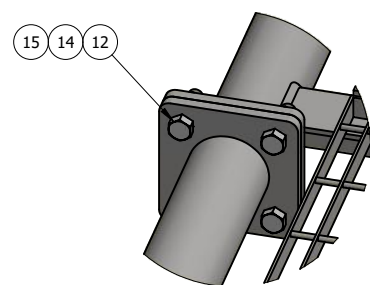
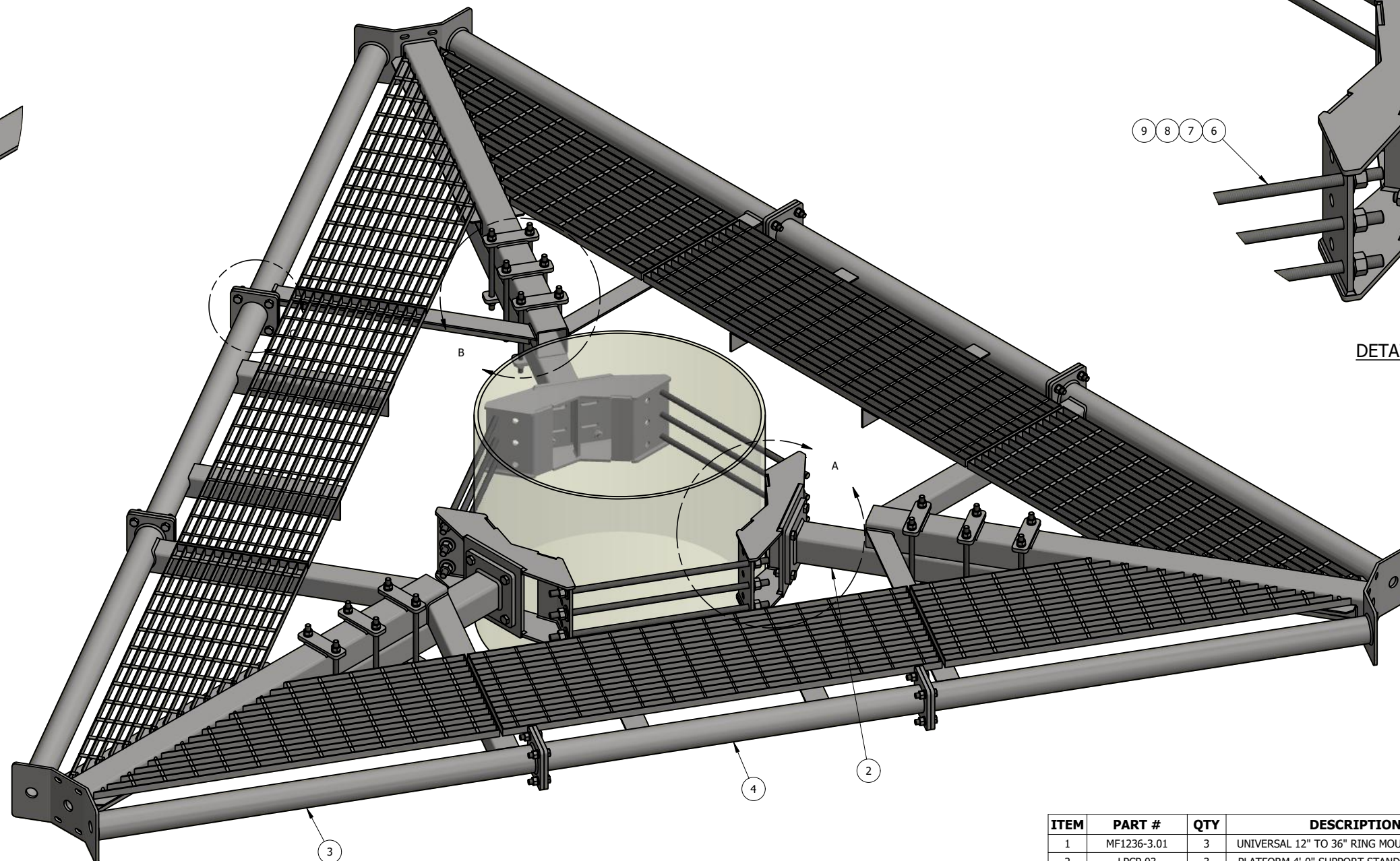


DETAIL - B



DETAIL - A



DETAIL - C

ITEM	PART #	QTY	DESCRIPTION	LENGTH	FINISH	UNIT WT
1	MF1236-3.01	3	UNIVERSAL 12" TO 36" RING MOUNT WELDMENT		HDG	50.60
2	LPCP.03	3	PLATFORM 4'-0" SUPPORT STAND OFF WELDMENT		HDG	57.87
3	LPCP-13F.01	3	LOW PROFILE PLATFORM CORNER MOUNT		HDG	240.07
4	LPCP-12Q.11	3	LOW PRO. QUAD PLATFORM MIDDLE FRAME WLMT		HDG	85.22
5	LPCP.01	9	1/2" PLATE			1.81
6	27-5580-005	9	3/4" x 28" B7 HDG ALL-THREAD	2'-4"		3.51
7	27-5481-005	18	3/4 A36 HDG FLAT WASHER			0.11
8	27-5490-005	18	3/4 HDG LOCK WASHER			0.04
9	27-5500-005	18	3/4 HDG HEAVY HEX NUT			0.21
10	TR58-12	18	GALV. 5/8" x 12" ALL-THREAD			1.04
11	27-5440-005	12	GALV. 5/8" x 2-1/4" A325 BOLT ASSEMBLY			0.31
12	27-4404-005	24	5/8" x 2 1/4" GR.5 HDG BOLT			0.29
13	27-5370-005	12	5/8" A36 HDG FLAT WASHER			0.08
14	27-5380-005	60	5/8" HDG LOCK WASHER		HDG	0.03
15	27-5391-005	60	5/8" HDG HEX NUT		HDG	0.08

THIS DESIGN AND INFORMATION CONTAINED ON THIS PRINT IS THE PROPERTY OF VALLEY FAB CORPORATION. ANY REPRODUCTION, DUPLICATION OR TRANSFER OF THE PROPRIETARY CONTENT IS PROHIBITED WITHOUT WRITTEN PERMISSION.

STANDARD TOLERANCES:
(UNLESS OTHERWISE NOTED)
FRACTIONS ±1/16"
DECIMALS ±0.01"
ANGLES ±0.5°



TOWER COMPONENTS, 503-792-3739
10910 PORTLAND RD. BROOKS, OR 97305

TOTAL WT: 1394.1 LB

QTY:

FINISH:

JOB #:

TITLE:
**3-SECTOR LOW-PRO PLATFORM, FULL WALK WAY
FIT 12" TO 36" O.D POLE**

SERIES: MONOPOLE MOUNTING

DRAWN BY: JG DATE: 5/25/2022
CHK'D BY: -
DRAWING NO.

LPCP-13F

SHEET: 1 OF 1