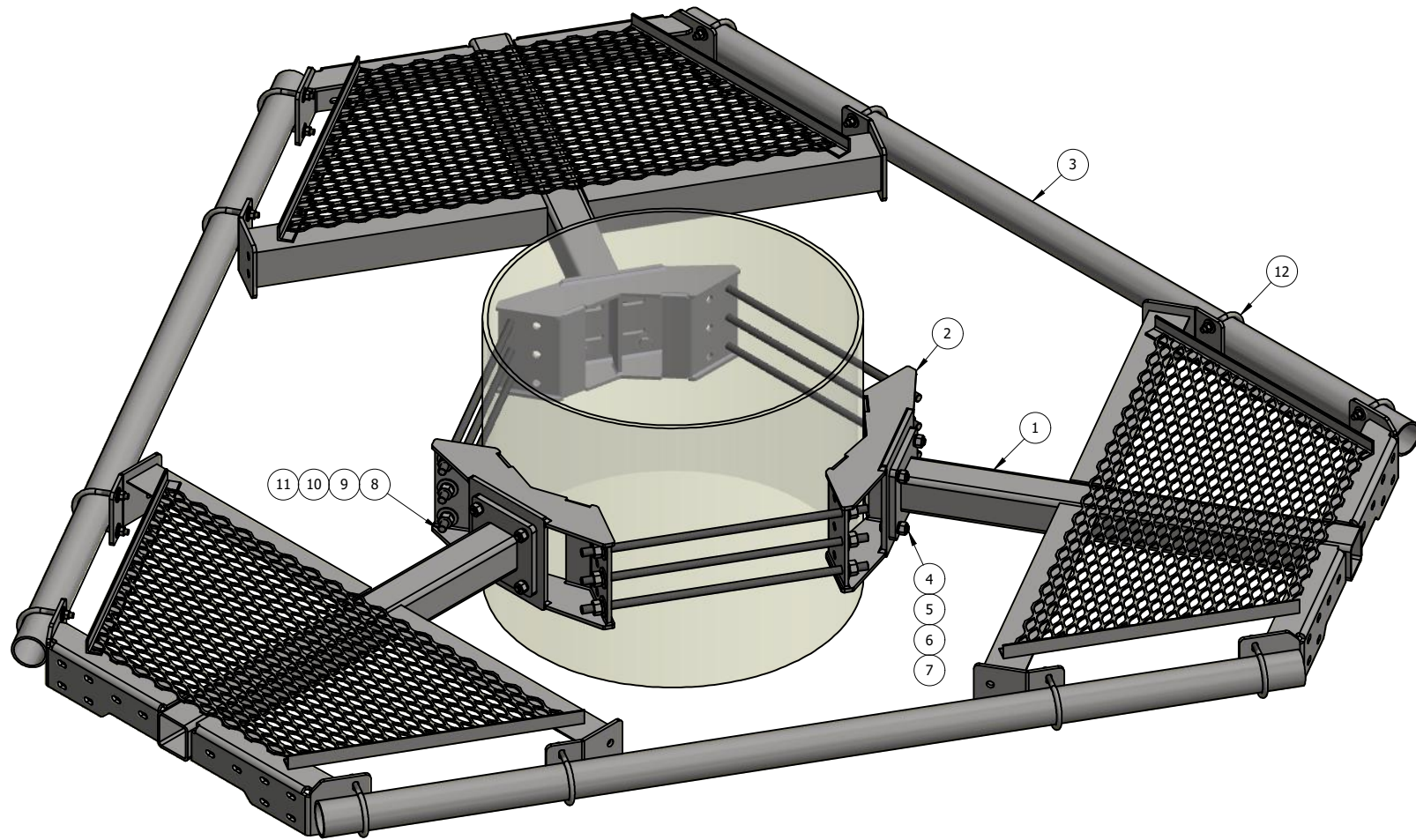


REV	BY	DESCRIPTION	DATE
A	WJ	SEE MODEL IPROPERTIES COMMENTS.	11/2/2020



ITEM	PART #	QTY	DESCRIPTION	LENGTH	FINISH	UNIT WT
1	LPCP-8.01	3	CO-LOCATION PLATFORM WELDMENT		HDG	154.53
2	MF1236-3.01	3	UNIVERSAL 12" TO 36" RING MOUNT WELDMENT		HDG	50.60
3	P35-96	3	3" STD PIPE	8'	HDG	60.67
4	27-5370-005	12	5/8 A36 HDG FLAT WASHER			0.08
5	27-5380-005	12	5/8 HDG LOCK WASHER			0.03
6	27-5390-005	12	5/8 HDG HEAVY HEX NUT			0.13
7	27-5440-005	12	5/8" x 2 1/4" A325 HDG BOLT			0.30
8	27-5481-005	18	3/4 A36 HDG FLAT WASHER			0.11
9	27-5490-005	18	3/4 HDG LOCK WASHER			0.04
10	27-5500-005	18	3/4 HDG HEAVY HEX NUT			0.21
11	27-5580-005	9	3/4" x 28" B7 HDG ALL-THREAD	2'-4"		3.51
12	27-6090-005	12	GALV. 1/2" x 3 5/8" x 5" U-BOLT ASSEMBLY			0.90

THIS DESIGN AND INFORMATION CONTAINED ON THIS PRINT IS THE PROPERTY OF VALLEY FAB CORPORATION. ANY REPRODUCTION, DUPLICATION OR TRANSFER OF THE PROPRIETARY CONTENT IS PROHIBITED WITHOUT WRITTEN PERMISSION.

STANDARD TOLERANCES:
(UNLESS OTHERWISE NOTED)
FRACTIONS ±1/16"
DECIMALS ±0.01"
ANGLES ±0.5°

NEWAVE
TOWER COMPONENTS. 503-792-3739
10910 PORTLAND RD. BROOKS, OR 97305

TOTAL WT: 852.8 LB

QTY:

FINISH:

JOB #:

TITLE:

3-SECTOR LOW PROFILE PLATFORM
8'-0" PIPE FACE, FITS 12" TO 36" O.D. POLE

SERIES: MONOPOLE MOUNTING

SHEET: 1 OF 1

DRAWN BY:

JG

DATE:

7/17/2018

CHK'D BY:

KY

DRAWING NO.

LPCP-8