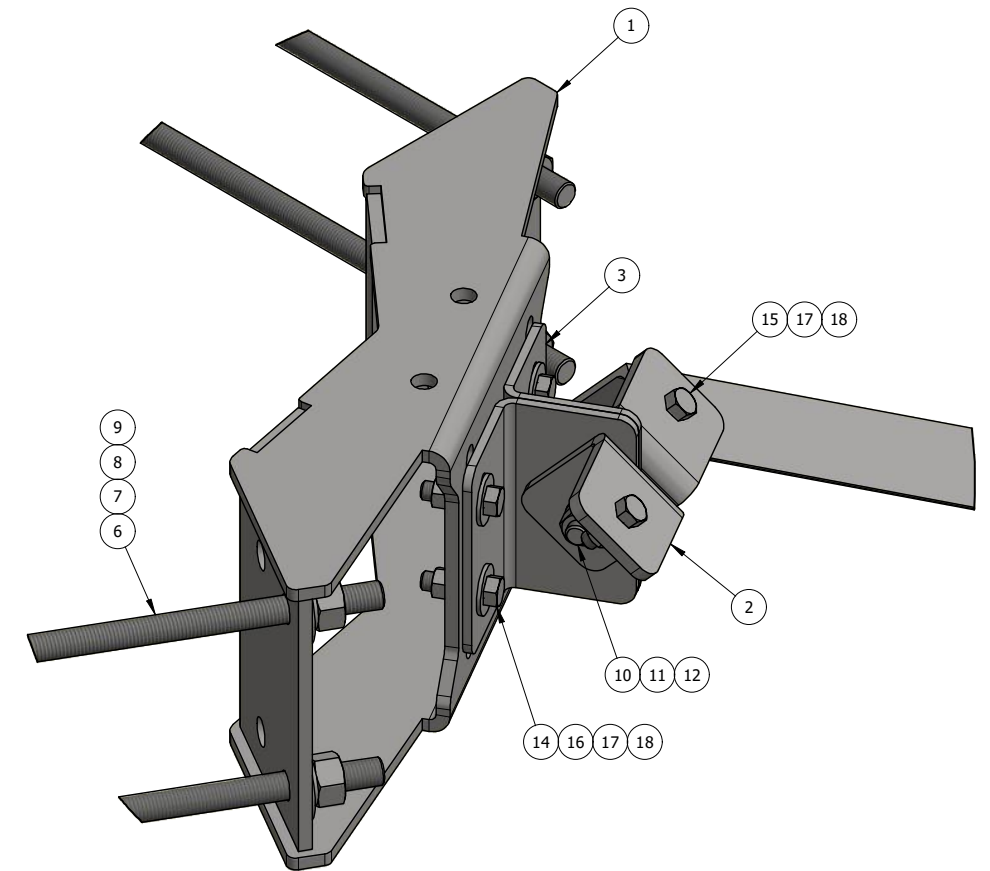
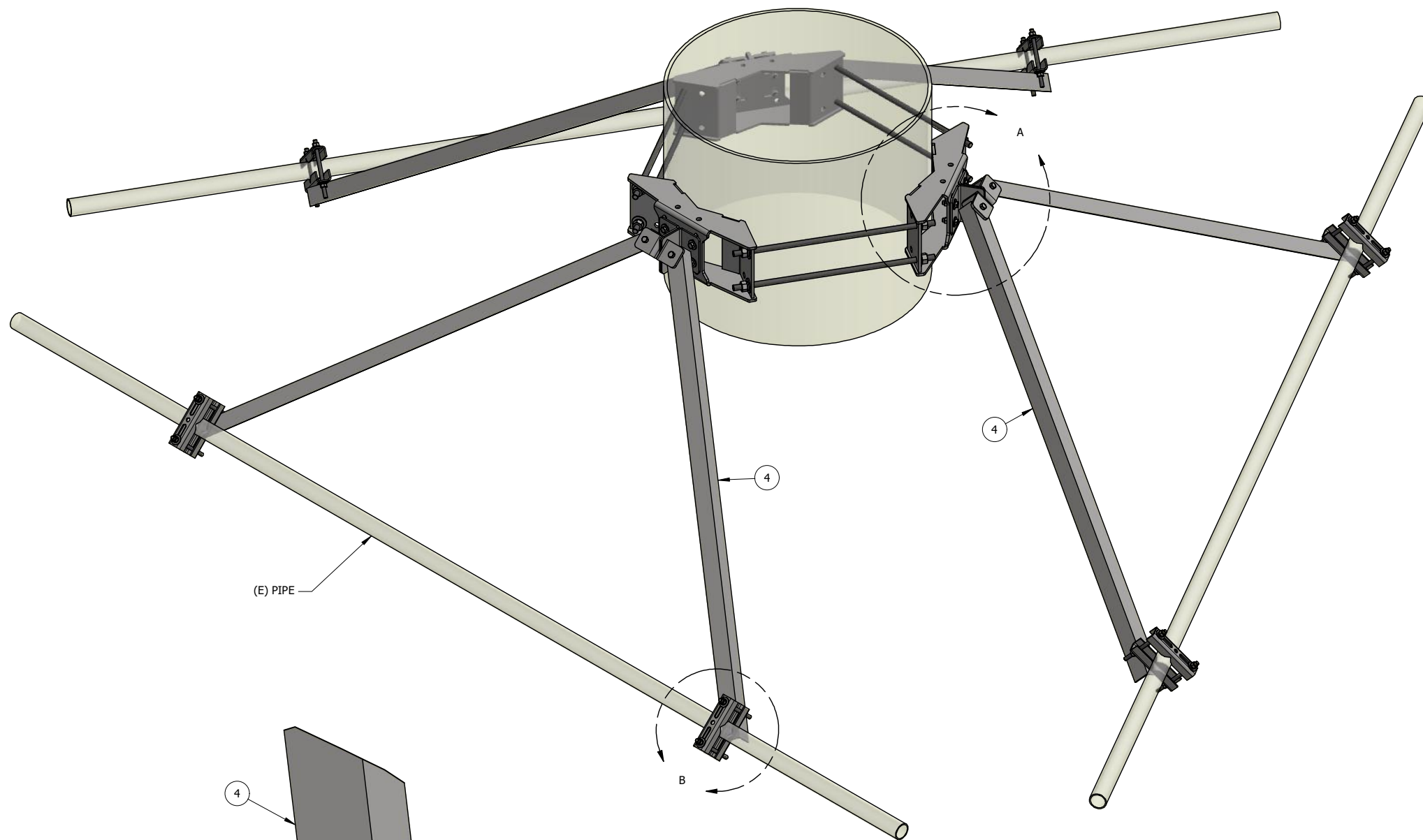
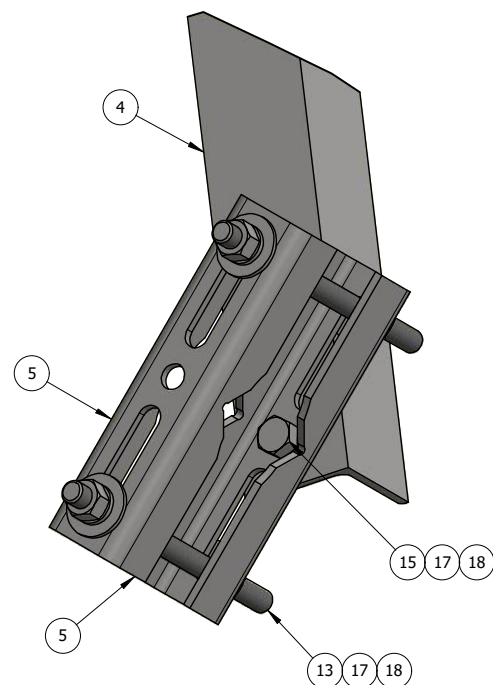


REV	BY	DESCRIPTION	DATE
B	JG	SEE MODEL I PROPERTIES/COMMENTS	4/6/2020



DETAIL - A



DETAIL - B

ITEM	PART #	QTY	DESCRIPTION	LENGTH	FINISH	UNIT WT
1	M1236-3.01	3	UNIV. 12" TO 36" OD RING MOUNT WELDMENT		HDG	38.96
2	LPRK.01	6	3/8" PLATE		HDG	1.97
3	LPRK.02	6	1/4 PLATE		HDG	2.84
4	LPRK.03	6	L2 1/2x2 1/2x3/16"	6'	HDG	18.55
5	AM1031HD.03	12	3/16" PLATE		HDG	1.58
6	27-5580-005	6	3/4" x 28" B7 HDG ALL-THREAD	2'-4"		3.51
7	27-5481-005	12	3/4 A36 HDG FLAT WASHER			0.11
8	27-5490-005	12	3/4 HDG LOCK WASHER			0.04
9	27-5500-005	12	3/4 HDG HEAVY HEX NUT			0.21
10	27-4404-005	3	5/8 x 2 1/4 GR.5 HDG BOLT			0.29
11	27-5380-005	3	5/8 HDG LOCK WASHER			0.03
12	27-5391-005	3	5/8" HDG HEX NUT			0.08
13	TR12-8	12	1/2" x 8" A36 HDG ALL-THREAD	8"		0.44
14	27-4302-005	12	1/2" x 1 3/4" GR.5 HDG BOLT			0.15
15	27-4301-005	12	1/2" x 1 1/2" GR.5 HDG BOLT			0.13
16	27-5200-005	48	HDG - 1/2" FLAT WASHER, USS			0.04
17	27-5210-005	48	1/2 HDG LOCK WASHER			0.01
18	27-5222-005	48	1/2 HDG HEX NUT			0.04

THIS DESIGN AND INFORMATION CONTAINED ON THIS PRINT IS THE PROPERTY OF VALLEY FAB CORPORATION. ANY REPRODUCTION, DUPLICATION OR TRANSFER OF THE PROPRIETARY CONTENT IS PROHIBITED WITHOUT WRITTEN PERMISSION.

STANDARD TOLERANCES:
 (UNLESS OTHERWISE NOTED)
 FRACTIONS ±1/16"
 DECIMALS ±0.01"
 ANGLES ±0.5°



TOWER COMPONENTS, 503-792-3739
 10910 PORTLAND RD. BROOKS, OR 97305

TOTAL WT: 315.85 LB

QTY:

FINISH:

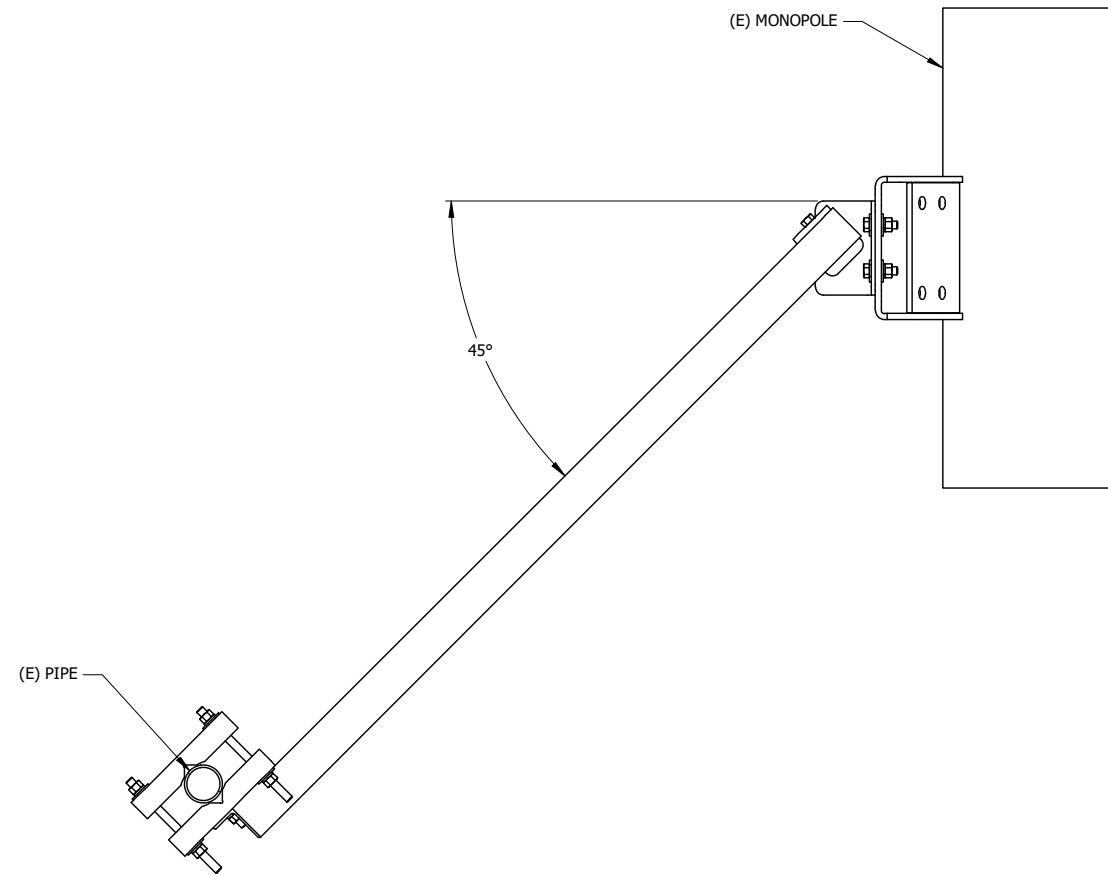
JOB #:

TITLE:
LOW PROFILE REINFORCEMENT KIT & M1236-3 RING MOUNT, ATTACHES TO FACE FRAME PIPE

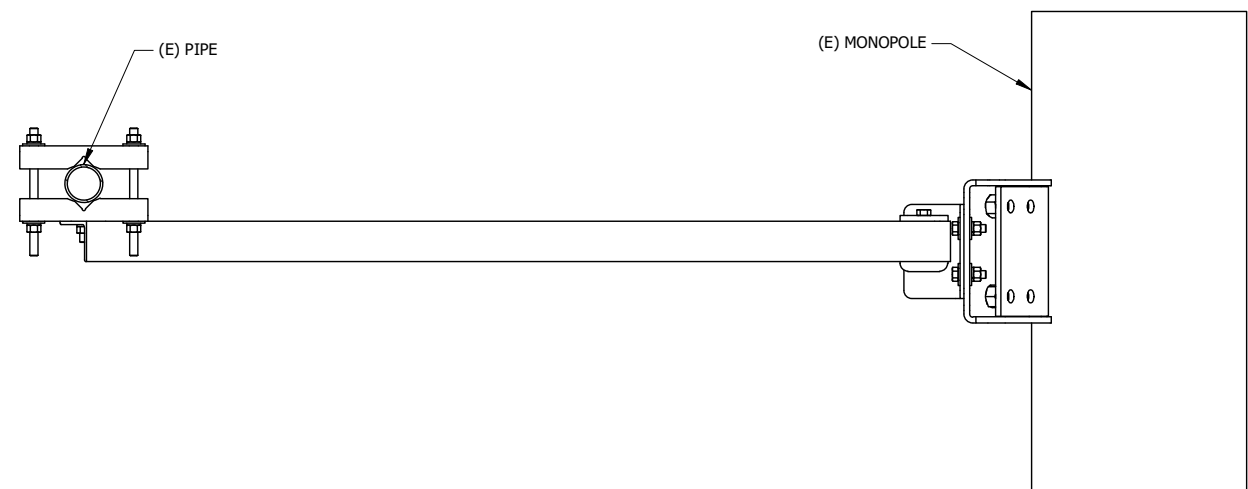
SERIES: MONOPOLE MOUNTING SHEET: 1 OF 2

DRAWN BY: JG DATE: 5/21/2018 CHK'D BY: KY

DRAWING NO. LPRK30-15



45° VERTICAL CONFIGURATION
SEE CAPACITY REPORT FOR RESULTS



0° HORIZONTAL CONFIGURATION
SEE CAPACITY REPORT FOR RESULTS

THIS DESIGN AND INFORMATION CONTAINED ON THIS PRINT IS THE PROPERTY OF VALLEY FAB CORPORATION. ANY REPRODUCTION, DUPLICATION OR TRANSFER OF THE PROPRIETARY CONTENT IS PROHIBITED WITHOUT WRITTEN PERMISSION.

STANDARD TOLERANCES:
(UNLESS OTHERWISE NOTED)
FRACTIONS ±1/16"
DECIMALS ±0.01"
ANGLES ±0.5°

NEWAVE
TOWER COMPONENTS, 503-792-3739
10910 PORTLAND RD. BROOKS, OR 97305

TOTAL WT: 315.85 LB
QTY:
FINISH:
JOB #:

TITLE:
LOW PROFILE REINFORCEMENT KIT & M1236-3
RING MOUNT, ATTACHES TO FACE FRAME PIPE

SERIES: MONOPOLE MOUNTING SHEET: 2 OF 2

DRAWN BY: JG DATE: 5/21/2018 CHK'D BY: KY

DRAWING NO. LPRK30-15