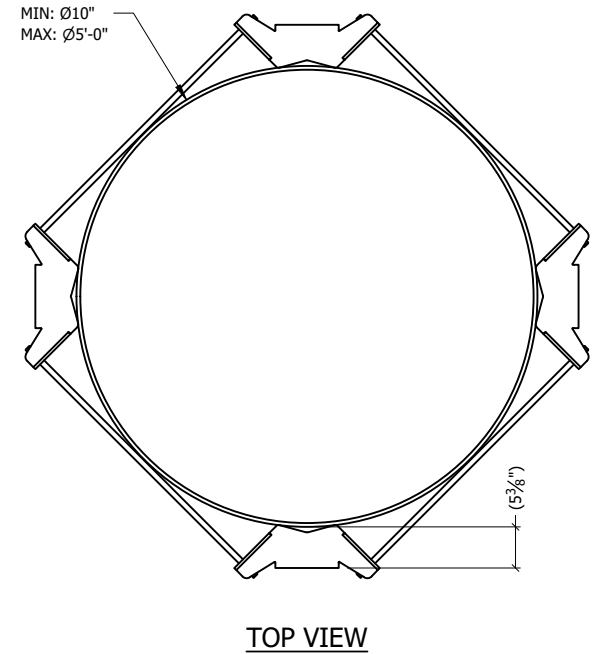
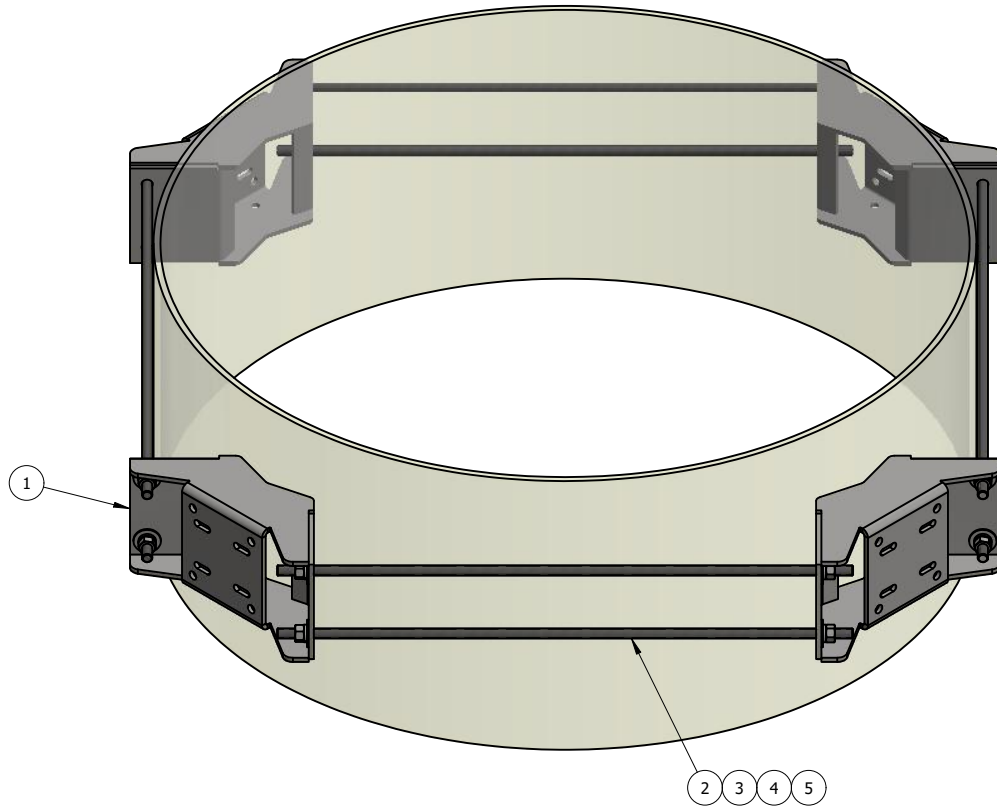


REV	BY	DESCRIPTION	DATE
A	KY	SEE MODEL I PROPERTIES/ COMMENTS	4/29/2020



ITEM	PART #	QTY	DESCRIPTION	LENGTH	FINISH	UNIT WT
1	M1060-4.01	4	4-SECTOR UNIVERSAL RING MOUNT WELDMENT		HDG	35.73
2	27-5588-005	8	3/4" x 42" B7 HDG ALL-THREAD			5.26
3	27-5481-005	16	3/4" A36 HDG FLAT WASHER			0.09
4	27-5490-005	16	3/4" HDG LOCK WASHER			0.05
5	27-5501-005	16	3/4" HDG HEX NUT			0.14

THIS DESIGN AND INFORMATION CONTAINED ON THIS PRINT IS THE PROPERTY OF VALLEY FAB CORPORATION. ANY REPRODUCTION, DUPLICATION OR TRANSFER OF THE PROPRIETARY CONTENT IS PROHIBITED WITHOUT WRITTEN PERMISSION.

STANDARD TOLERANCES:
(UNLESS OTHERWISE NOTED)
FRACTIONS ±1/16"
DECIMALS ±0.01"
ANGLES ±0.5°

NEWAVE
TOWER COMPONENTS. 503-792-3739
10910 PORTLAND RD. BROOKS, OR 97305

TOTAL WT: 189.5 LB
QTY:
FINISH:
JOB #:

TITLE:	4-SECTOR UNIVERSAL RING MOUNT FITS 10" TO 60" O.D. POLE		DRAWN BY:	DATE:	CHK'D BY:
SERIES:	MONOPOLE MOUNTING	SHEET:	1 OF 1	JG	7/17/2018
			DRAWING NO.		KY
			M1060-4		