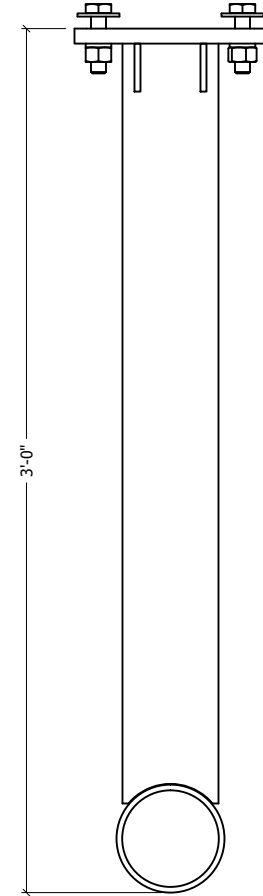
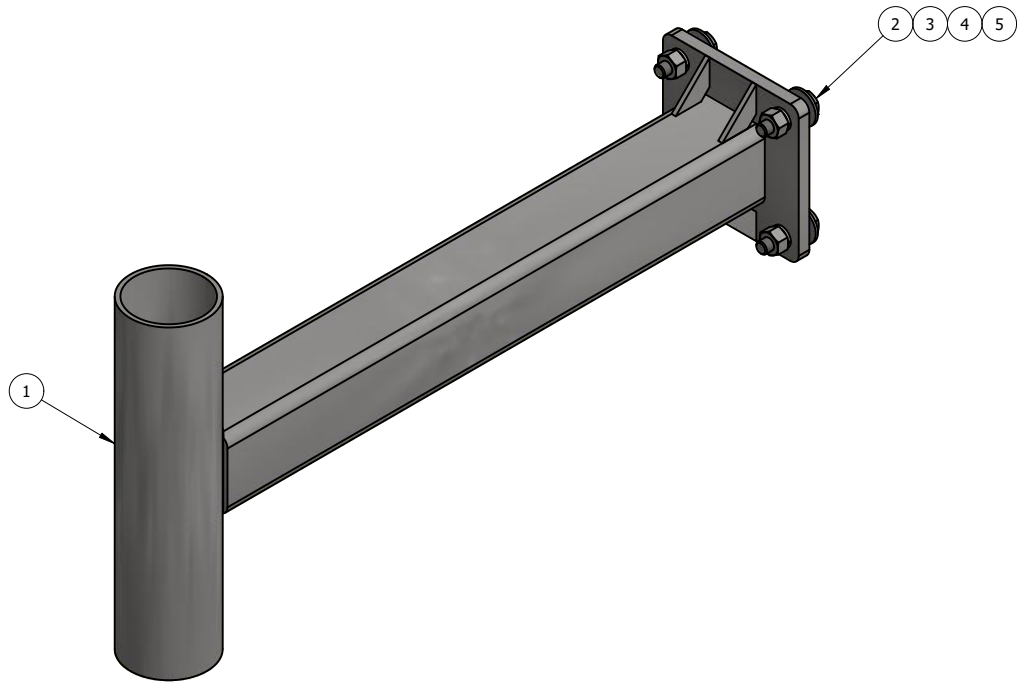


REV	BY	DESCRIPTION	DATE
A	AB	SEE MODEL IPROPERTIES/ COMMENTS	12/12/2018




TOP VIEW

ITEM	PART #	QTY	DESCRIPTION	LENGTH	FINISH	UNIT WT
1	M3015-36.01	1	36" STAND OFF WELDMENT		HDG	57.98
2	27-5450-005	4	5/8" x 2 1/2" A325 HDG BOLT			0.32
3	27-5370-005	4	5/8 A36 HDG FLAT WASHER			0.08
4	27-5380-005	4	5/8 HDG LOCK WASHER			0.03
5	27-5390-005	4	5/8" HDG HEAVY HEX NUT			0.13

THIS DESIGN AND INFORMATION CONTAINED ON THIS PRINT IS THE PROPERTY OF VALLEY FAB CORPORATION. ANY REPRODUCTION, DUPLICATION OR TRANSFER OF THE PROPRIETARY CONTENT IS PROHIBITED WITHOUT WRITTEN PERMISSION.

STANDARD TOLERANCES:
 (UNLESS OTHERWISE NOTED)
 FRACTIONS ±1/16"
 DECIMALS ±0.01"
 ANGLES ±0.5°


NEWAVE
 TOWER COMPONENTS. 503-792-3739
 10910 PORTLAND RD. BROOKS, OR 97305

TOTAL WT: 60.2 LB

QTY:

FINISH:

JOB #:

TITLE:

SINGLE SUPPORT ARM
36" STAND OFF

DRAWN BY:

JG

DATE:

7/17/2018

CHK'D BY:

KY

DRAWING NO.

M3015-36

SERIES: MONOPOLE MOUNTING

SHEET: 1 OF 1