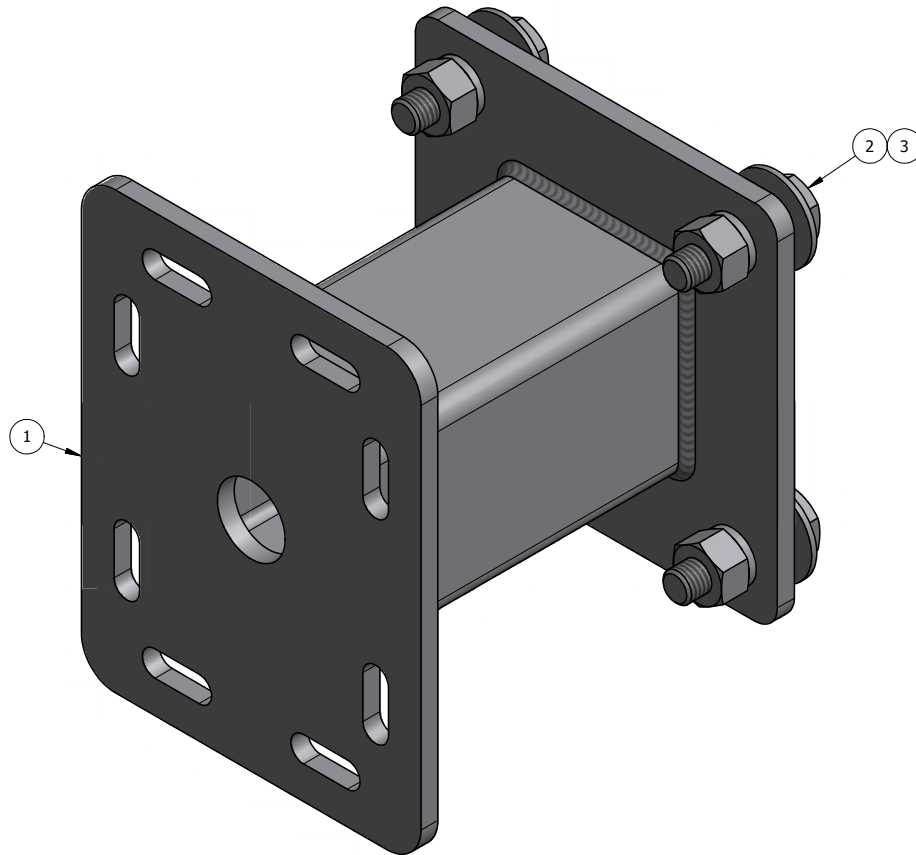


ITEM	PART #	DESCRIPTION	QTY	UNIT WT
1	M3016-8.01	SINGLE ANTENNA 8" STAND OFF WELDMENT	1	18.32
2	27-5440-005	GALV. 5/8" x 2-1/4" A325 BOLT ASSEMBLY	4	0.31
3	27-5370-005	GALV. 5/8" FLAT WASHER	4	0.07



QTY:  
CHK:

**STANDARD TOLERANCES:**  
(UNLESS OTHERWISE NOTED)  
FRACTIONS ±1/16"  
DECIMALS ±.005"  
ANGLES ±.5°

THIS DESIGN AND INFORMATION CONTAINED ON THIS PRINT IS THE PROPERTY OF NEWAVE TOWER COMPONENTS LLC. ANY REPRODUCTION, DUPLICATION OR TRANSFER OF THE PROPRIETARY CONTENT IS PROHIBITED WITHOUT WRITTEN PERMISSION.

**NEWAVE**  
TOWER COMPONENTS. 503-792-3739  
10910 PORTLAND RD. BROOKS, OR 97305

MATERIAL: AS SHOWN  
HOLES: AS SHOWN  
FINISH: HDG  
DRAWN BY: KY  
CHECKED BY: -  
DATE: 12/26/2013

TITLE: 8" STAND OFF FOR RING MOUNT  
SERIES: MONOPOLE MOUNTING  
PART WT (BARE): 20.5 LB  
DRAWING NO. M3016-8  
SHEET: 1 OF 1