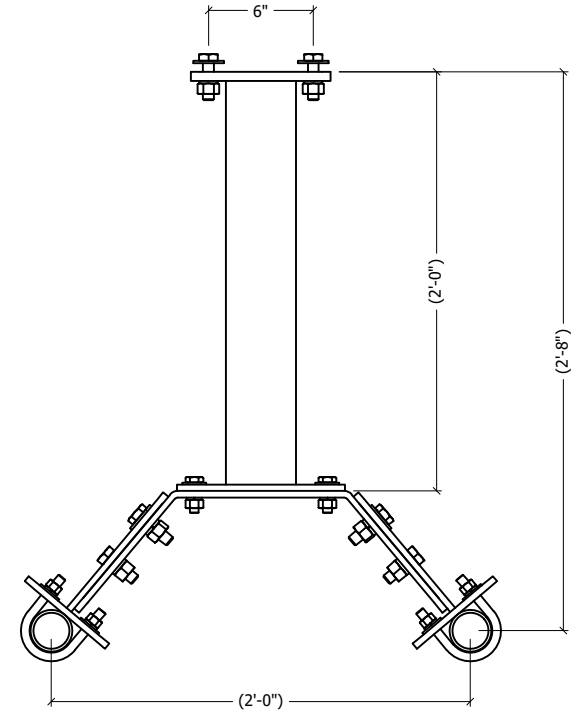
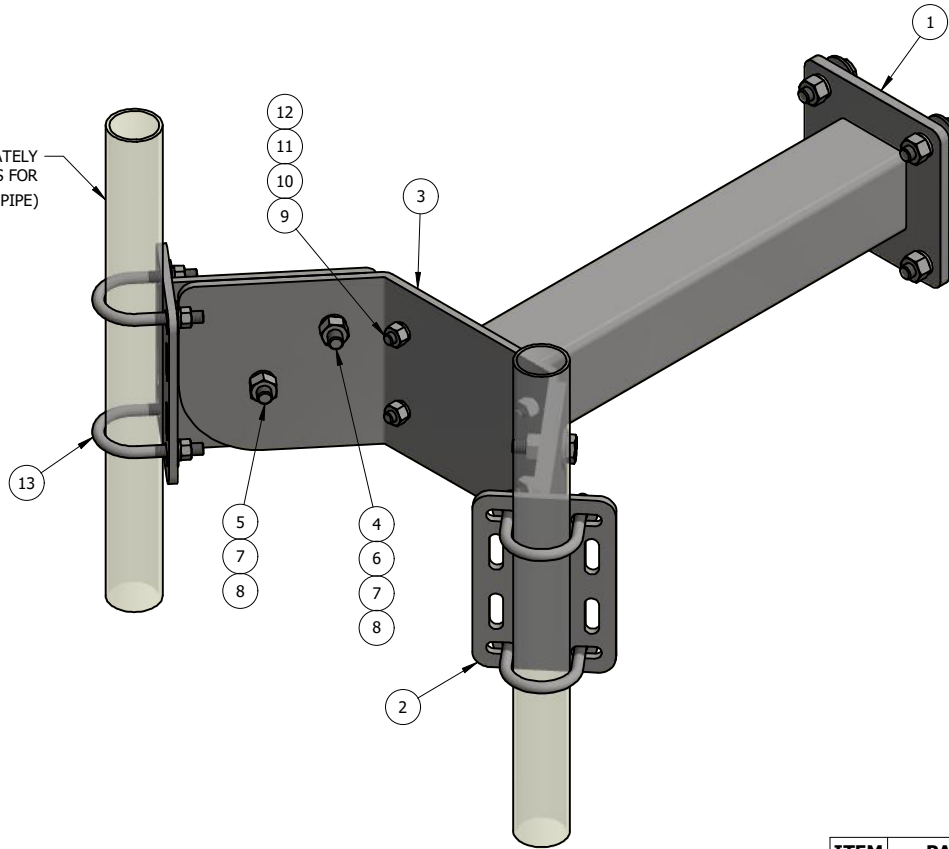


REV	BY	DESCRIPTION	DATE
A	KY	SEE MODEL I PROPERTIES/COMMENTS	11/11/2021

PIPE SOLD SEPARATELY
(INCLUDES U-BOLTS FOR
2 3/8" O.D PIPE)



TOP VIEW

ITEM	PART #	QTY	DESCRIPTION	LENGTH	FINISH	UNIT WT
1	M3016-24.01	1	SINGLE ANTENNA 24" STAND OFF WELDMENT		HDG	32.49
2	M3017.04	2	ADJUSTABLE PIPE MOUNT WELDMENT		HDG	12.27
3	M3018.01	1	3/8" PLATE		HDG	23.81
4	27-5440-005	6	5/8" x 2 1/4" A325 HDG BOLT			0.30
5	27-5430-005	2	5/8" x 2" A325 HDG BOLT			0.28
6	27-5370-005	6	*Varies*			0.08
7	27-5380-005	8	5/8 HDG LOCK WASHER			0.03
8	27-5390-005	8	5/8 HDG HEAVY HEX NUT			0.13
9	27-5250-005	4	1/2" x 1 3/4" A325 HDG BOLT			0.15
10	27-5200-005	4	HDG - 1/2" FLAT WASHER, USS			0.04
11	27-5210-005	4	1/2 HDG LOCK WASHER			0.01
12	27-5220-005	4	1/2 HDG HEAVY HEX NUT			0.07
13	27-6060-005	4	HDG - 1/2" x 2-1/2" x 4" U-BOLT ASSEMBLY		HDG	0.76

THIS DESIGN AND INFORMATION CONTAINED ON THIS PRINT IS THE PROPERTY OF VALLEY FAB CORPORATION. ANY REPRODUCTION, DUPLICATION OR TRANSFER OF THE PROPRIETARY CONTENT IS PROHIBITED WITHOUT WRITTEN PERMISSION.

STANDARD TOLERANCES:

(UNLESS OTHERWISE NOTED)

FRACTIONS ±1/16"
DECIMALS ±0.01"
ANGLES ±0.5°



TOTAL WT: 89.05 LB

QTY:

FINISH:

JOB #:

TITLE:

DOUBLE ANTENNA PIPE STAND-OFF
W/ 24" PIPE-TO-PIPE SPREAD

SERIES: MONOPOLE MOUNTING

SHEET: 1 OF 1

DRAWN BY:

WJ

DATE:

11/11/2021

CHK'D BY:

-

DRAWING NO.

M3018-24