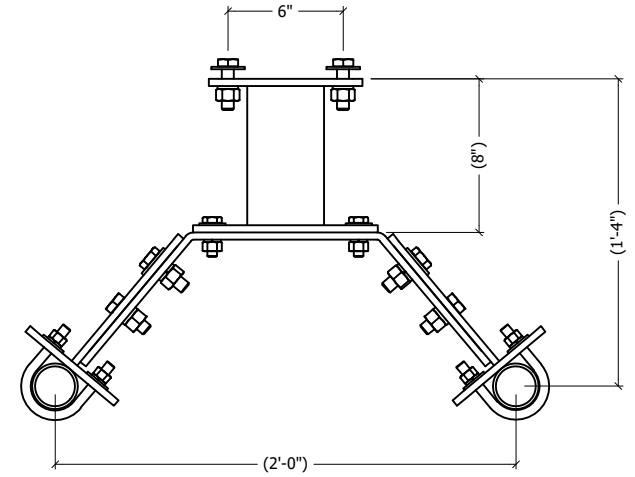
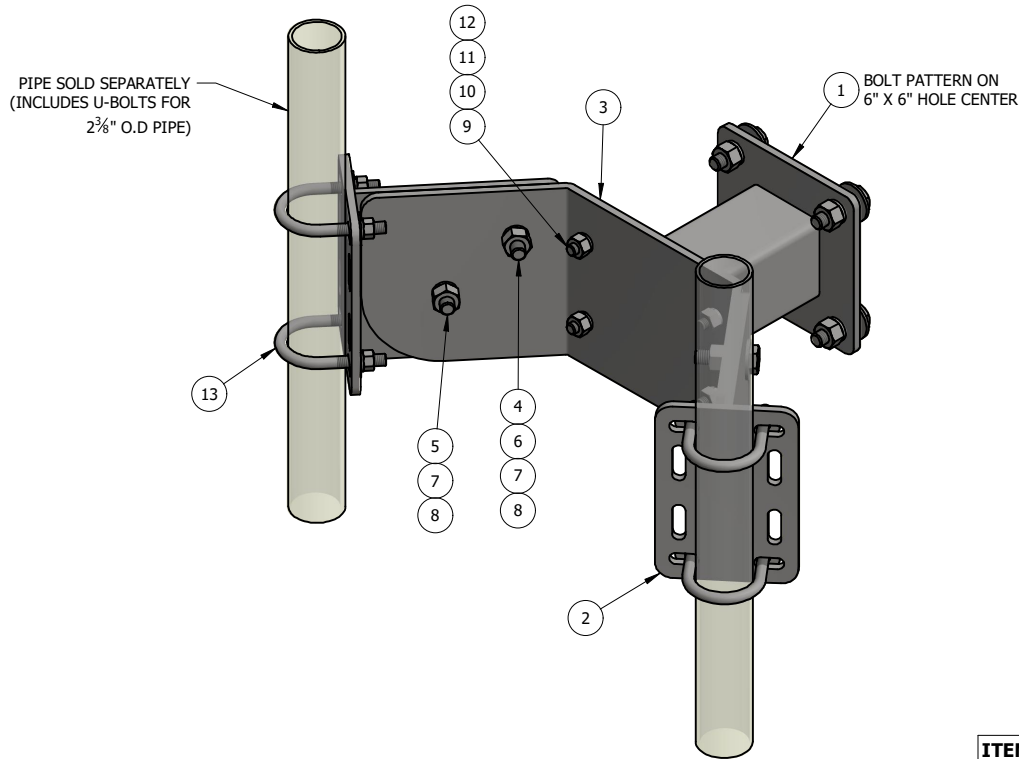


REV	BY	DESCRIPTION	DATE
A	KY	SEE MODEL I PROPERTIES/COMMENTS	11/11/2021



TOP VIEW

ITEM	PART #	QTY	DESCRIPTION	LENGTH	FINISH	UNIT WT
1	M3016-8.01	1	SINGLE ANTENNA 8" STAND OFF WELDMENT		HDG	18.26
2	M3017.04	2	ADJUSTABLE PIPE MOUNT WELDMENT		HDG	12.32
3	M3018.01	1	3/8" PLATE		HDG	23.81
4	27-5440-005	6	5/8" x 2 1/4" A325 HDG BOLT			0.30
5	27-5430-005	2	5/8" x 2" A325 HDG BOLT			0.28
6	27-5370-005	6	HDG - 5/8" FLAT WASHER, USS			0.08
7	27-5380-005	8	5/8" HDG LOCK WASHER			0.03
8	27-5390-005	8	5/8 HDG HEAVY HEX NUT			0.13
9	27-5250-005	4	1/2" x 1 3/4" A325 HDG BOLT			0.15
10	27-5200-005	4	HDG - 1/2" FLAT WASHER, USS			0.04
11	27-5210-005	4	1/2" HDG LOCK WASHER			0.01
12	27-5220-005	4	1/2" HDG HEAVY HEX NUT			0.07
13	27-6060-005	4	HDG - 1/2" x 2-1/2" x 4" U-BOLT ASSEMBLY		HDG	0.76

THIS DESIGN AND INFORMATION CONTAINED ON THIS PRINT IS THE PROPERTY OF VALLEY FAB CORPORATION. ANY REPRODUCTION, DUPLICATION OR TRANSFER OF THE PROPRIETARY CONTENT IS PROHIBITED WITHOUT WRITTEN PERMISSION.

STANDARD TOLERANCES:
 (UNLESS OTHERWISE NOTED)
 FRACTIONS ±1/16"
 DECIMALS ±0.01"
 ANGLES ±0.5°

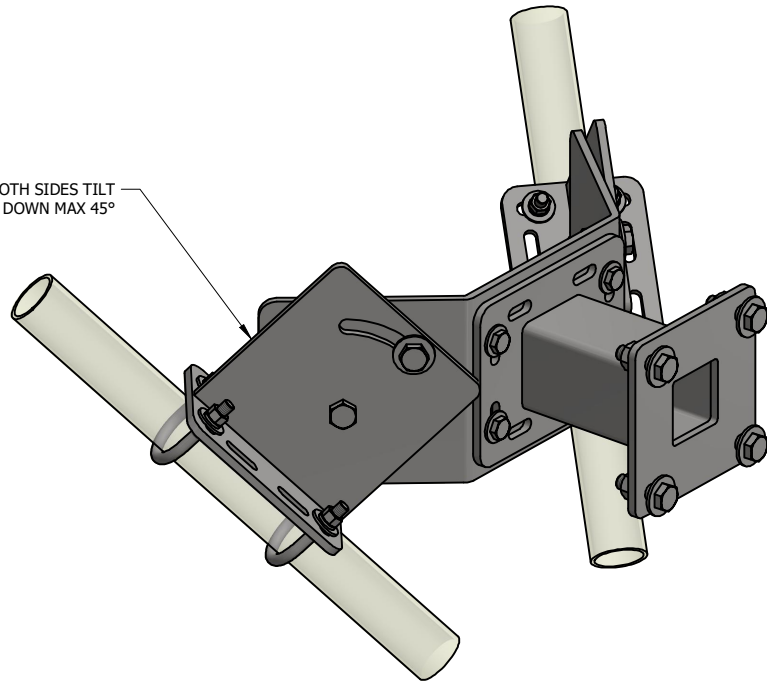
NEWAVE
 TOWER COMPONENTS. 503-792-3739
 10910 PORTLAND RD. BROOKS, OR 97305

TOTAL WT: 74.95 LB
 QTY:
 FINISH:
 JOB #:

TITLE: **DOUBLE ANTENNA PIPE STAND-OFF
 W/ 24" PIPE-TO-PIPE SPREAD**
 SERIES: MONOPOLE MOUNTING SHEET: 1 OF 2

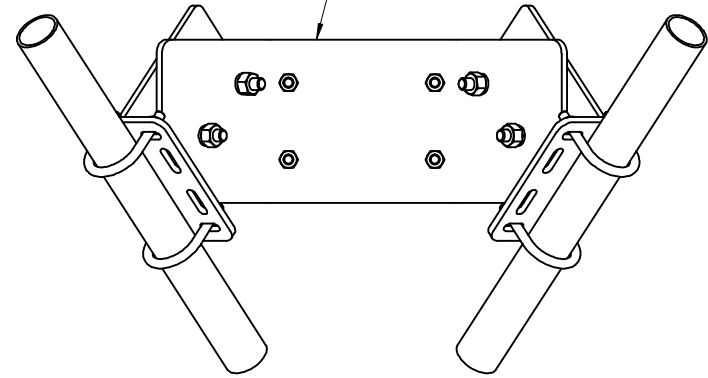
DRAWN BY: JG DATE: 11/11/2021 CHK'D BY: KY
 DRAWING NO. M3018-8

BOTH SIDES TILT
DOWN MAX 45°



PIVOT VIEW
BACK SIDE

3 TO REVERSE TILT DIRECTION,
INSTALL THIS PART IN THE
OPPOSITE POSITION



PIVOT FRONT VIEW

ITEM	PART #	QTY	DESCRIPTION	LENGTH	FINISH	UNIT WT
1	M3016-8.01	1	SINGLE ANTENNA 8" STAND OFF WELDMENT		HDG	18.26
2	M3017.04	2	ADJUSTABLE PIPE MOUNT WELDMENT		HDG	12.32
3	M3018.01	1	3/8" PLATE		HDG	23.81
4	27-5440-005	6	5/8" x 2 1/4" A325 HDG BOLT			0.30
5	27-5430-005	2	5/8" x 2" A325 HDG BOLT			0.28
6	27-5370-005	6	HDG - 5/8" FLAT WASHER, USS			0.08
7	27-5380-005	8	5/8" HDG LOCK WASHER			0.03
8	27-5390-005	8	5/8 HDG HEAVY HEX NUT			0.13
9	27-5250-005	4	1/2" x 1 3/4" A325 HDG BOLT			0.15
10	27-5200-005	4	HDG - 1/2" FLAT WASHER, USS			0.04
11	27-5210-005	4	1/2" HDG LOCK WASHER			0.01
12	27-5220-005	4	1/2" HDG HEAVY HEX NUT			0.07
13	27-6060-005	4	HDG - 1/2" x 2-1/2" x 4" U-BOLT ASSEMBLY		HDG	0.76

THIS DESIGN AND INFORMATION CONTAINED ON THIS PRINT IS THE PROPERTY OF VALLEY FAB CORPORATION. ANY REPRODUCTION, DUPLICATION OR TRANSFER OF THE PROPRIETARY CONTENT IS PROHIBITED WITHOUT WRITTEN PERMISSION.

STANDARD TOLERANCES:

(UNLESS OTHERWISE NOTED)

FRACTIONS ±1/16"
DECIMALS ±0.01"
ANGLES ±0.5°



TOWER COMPONENTS. 503-792-3739
10910 PORTLAND RD. BROOKS, OR 97305

TOTAL WT: 74.95 LB

QTY:

FINISH:

JOB #:

TITLE:

DOUBLE ANTENNA PIPE STAND-OFF
W/ 24" PIPE-TO-PIPE SPREAD

SERIES: MONOPOLE MOUNTING

SHEET: 2 OF 2

DRAWN BY:

JG

DATE:

11/11/2021

CHK'D BY:

KY

DRAWING NO.

M3018-8