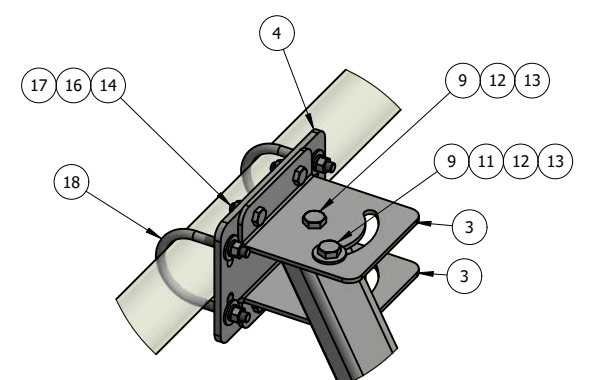


TOP VIEW



DETAIL - A

ITEM	PART #	QTY	DESCRIPTION	LENGTH	FINISH	UNIT WT
1	M1236-3.01	3	UNIV. 12" TO 36" OD RING MOUNT WELDMNT		HDG	38.96
2	M3053-72.01	3	6'-0" STANDOFF WELDMNT		HDG	63.17
3	M3053.01	6	1/4" PLATE		HDG	4.22
4	M3053.02	3	3/8" PLATE		HDG	8.18
5	27-5580-005	6	3/4" x 28" B7 HDG ALL-THREAD	2'-4"		3.51
6	27-5481-005	12	3/4 A36 HDG FLAT WASHER			0.11
7	27-5490-005	12	3/4 HDG LOCK WASHER			0.04
8	27-5500-005	12	3/4 HDG HEAVY HEX NUT			0.21
9		6	5/8" x 5" A325 HDG BOLT			0.54
10	27-5440-005	12	5/8" x 2 1/4" A325 HDG BOLT			0.30
11	27-5370-005	18	5/8 A36 HDG FLAT WASHER			0.08
12	27-5380-005	18	5/8 HDG LOCK WASHER			0.03
13	27-5390-005	18	5/8 HDG HEAVY HEX NUT			0.13
14	27-5240-005	12	1/2" x 1 1/2" A325 HDG BOLT			0.14
16	27-5210-005	12	1/2 HDG LOCK WASHER			0.01
17	27-5220-005	12	1/2 HDG HEAVY HEX NUT			0.07
18	27-6090-005	6	GALV. 1/2" x 3 5/8" x 5" U-BOLT ASSEMBLY			0.90

THIS DESIGN AND INFORMATION CONTAINED ON THIS PRINT IS THE PROPERTY OF VALLEY FAB CORPORATION. ANY REPRODUCTION, DUPLICATION OR TRANSFER OF THE PROPRIETARY CONTENT IS PROHIBITED WITHOUT WRITTEN PERMISSION.

STANDARD TOLERANCES:
 (UNLESS OTHERWISE NOTED)
 FRACTIONS ±1/16"
 DECIMALS ±0.01"
 ANGLES ±0.5°

NEWAVE
 TOWER COMPONENTS, 503-792-3739
 10910 PORTLAND RD. BROOKS, OR 97305

TOTAL WT: 400.85 LB
 QTY:
 FINISH: HDG
 JOB #:

TITLE: 3-SECTOR REINFORCEMENT KIT FOR 12" TO 36" O.D POLE, FIELD CUT STAND-OFF

SERIES: MONOPOLE MOUNTING SHEET: 1 OF 1

DRAWN BY: RJ DATE: 1/6/2021 CHK'D BY: KY

DRAWING NO. M3053-72-35