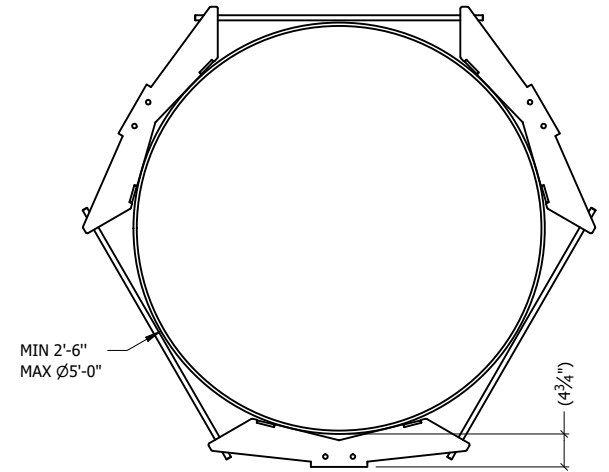
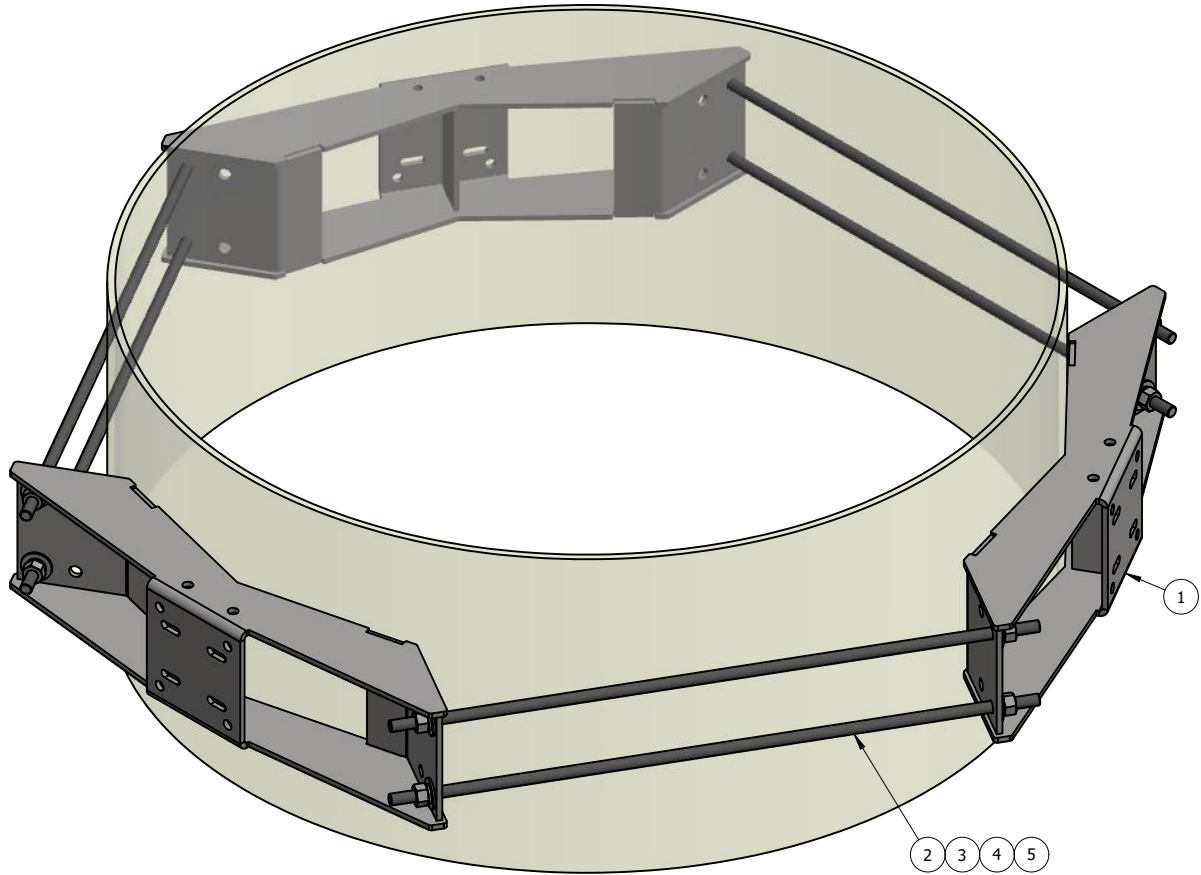


REV	BY	DESCRIPTION	DATE
B	KY	SEE MODEL I PROPERTIES/COMMENTS	5/4/2022



TOP VIEW

ITEM	PART #	QTY	DESCRIPTION	LENGTH	FINISH	UNIT WT
1	M3060-3.01	3	UNIV. 30" TO 60" O.D RING MOUNT WELDMENT		HDG	59.27
2	27-5588-005	6	3/4" x 42" B7 HDG ALL-THREAD			5.26
3	27-5481-005	12	3/4 A36 HDG FLAT WASHER			0.11
4	27-5490-005	12	3/4 HDG LOCK WASHER			0.04
5	27-5500-005	12	3/4 HDG HEAVY HEX NUT			0.21

THIS DESIGN AND INFORMATION CONTAINED ON THIS PRINT IS THE PROPERTY OF VALLEY FAB CORPORATION. ANY REPRODUCTION, DUPLICATION OR TRANSFER OF THE PROPRIETARY CONTENT IS PROHIBITED WITHOUT WRITTEN PERMISSION.

STANDARD TOLERANCES:
(UNLESS OTHERWISE NOTED)
FRACTIONS ±1/16"
DECIMALS ±0.01"
ANGLES ±0.5°

NEWAVE
TOWER COMPONENTS. 503-792-3739
10910 PORTLAND RD. BROOKS, OR 97305

TOTAL WT: 213.75 LB

QTY:

FINISH:

JOB #:

TITLE:	3-SECTOR UNIVERSAL RING MOUNT FITS 30" TO 60" O.D POLE	DRAWN BY:	JG	DATE:	7/17/2018	CHK'D BY:	KY
SERIES:	MONOPOLE MOUNTING	DRAWING NO.		M3060-3			
SHEET:		1 OF 1					