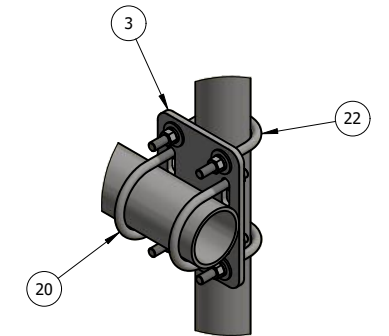


DETAIL - A



DETAIL - B

ITEM	PART #	QTY	DESCRIPTION	FINISH	UNIT WT
1	MF1236-3.01	6	UNIVERSAL 12" TO 36" RING MOUNT WELDMENT	HDG	50.60
2	M3014-48	6	48" T-PIPE STANDOFF	HDG	108.12
3	CXP1	24	3/8" PLATE	SEE W/O	4.86
4	LPS30-20.01	6	LOW PROFILE TOP BRACKET WELDMENT	HDG	6.68
5	LPS.15	3	L2 1/2x2 1/2x3/16"	HDG	15.44
6	AMCS-5.01	6	1/2" PLATE	SEE W/O	2.25
7	P35-174	6	3" STD PIPE	HDG	109.97
8	P278-120	12	2 1/2" STD PIPE	HDG	57.99
9	27-5580-005	18	3/4" x 28" B7 HDG ALL-THREAD		3.51
10	27-5481-005	36	3/4 A36 HDG FLAT WASHER		0.11
11	27-5490-005	36	3/4 HDG LOCK WASHER		0.04
12	27-5500-005	36	3/4 HDG HEAVY HEX NUT		0.21
13	27-5440-005	24	5/8" x 2 1/4" A325 HDG BOLT		0.30
14	27-5390-005	24	5/8 HDG HEAVY HEX NUT		0.13
15	TR58-8	12	HDG - 5/8" x 8" ALL-THREAD A307 GR-A (OR GREATER)		0.69
16	27-4402-005	6	5/8" x 1 3/4" GR.5 HDG BOLT		0.25
17	27-5370-005	48	5/8 A36 HDG FLAT WASHER		0.08
18	27-5380-005	54	5/8 HDG LOCK WASHER		0.03
19	27-5391-005	30	5/8" HDG HEX NUT		0.08
20	27-6090-005	72	GALV. 1/2" x 3 5/8" x 5" U-BOLT ASSEMBLY		0.90
22	27-6080-005	48	GALV. 1/2" x 3" x 5" GR-5 U-BOLT ASSEMBLY		0.89

THIS DESIGN AND INFORMATION CONTAINED ON THIS PRINT IS THE PROPERTY OF VALLEY FAB CORPORATION. ANY REPRODUCTION, DUPLICATION OR TRANSFER OF THE PROPRIETARY CONTENT IS PROHIBITED WITHOUT WRITTEN PERMISSION.

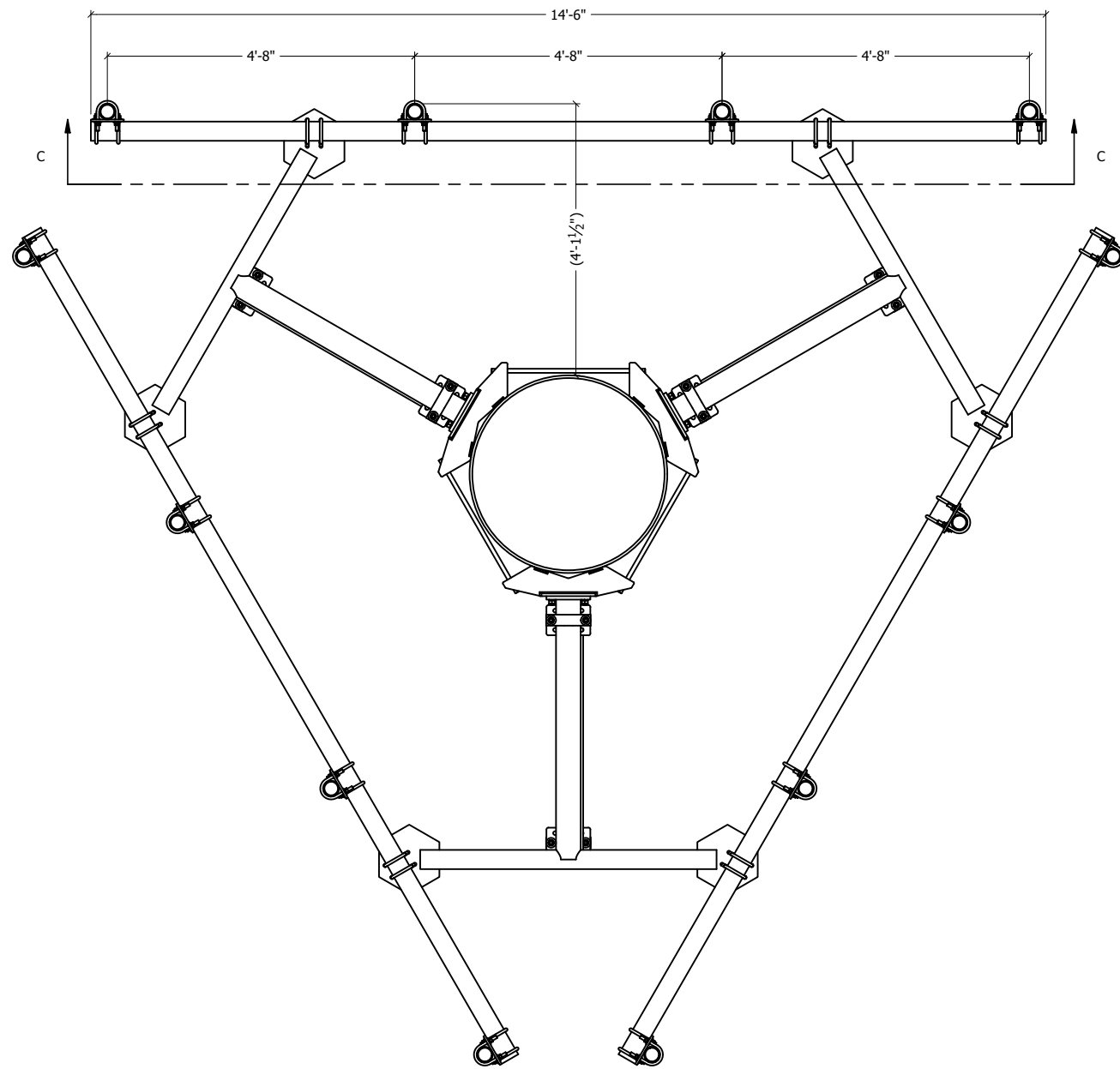
**STANDARD TOLERANCES:**  
(UNLESS OTHERWISE NOTED)  
FRACTIONS ±1/16"  
DECIMALS ±0.01"  
ANGLES ±0.5°



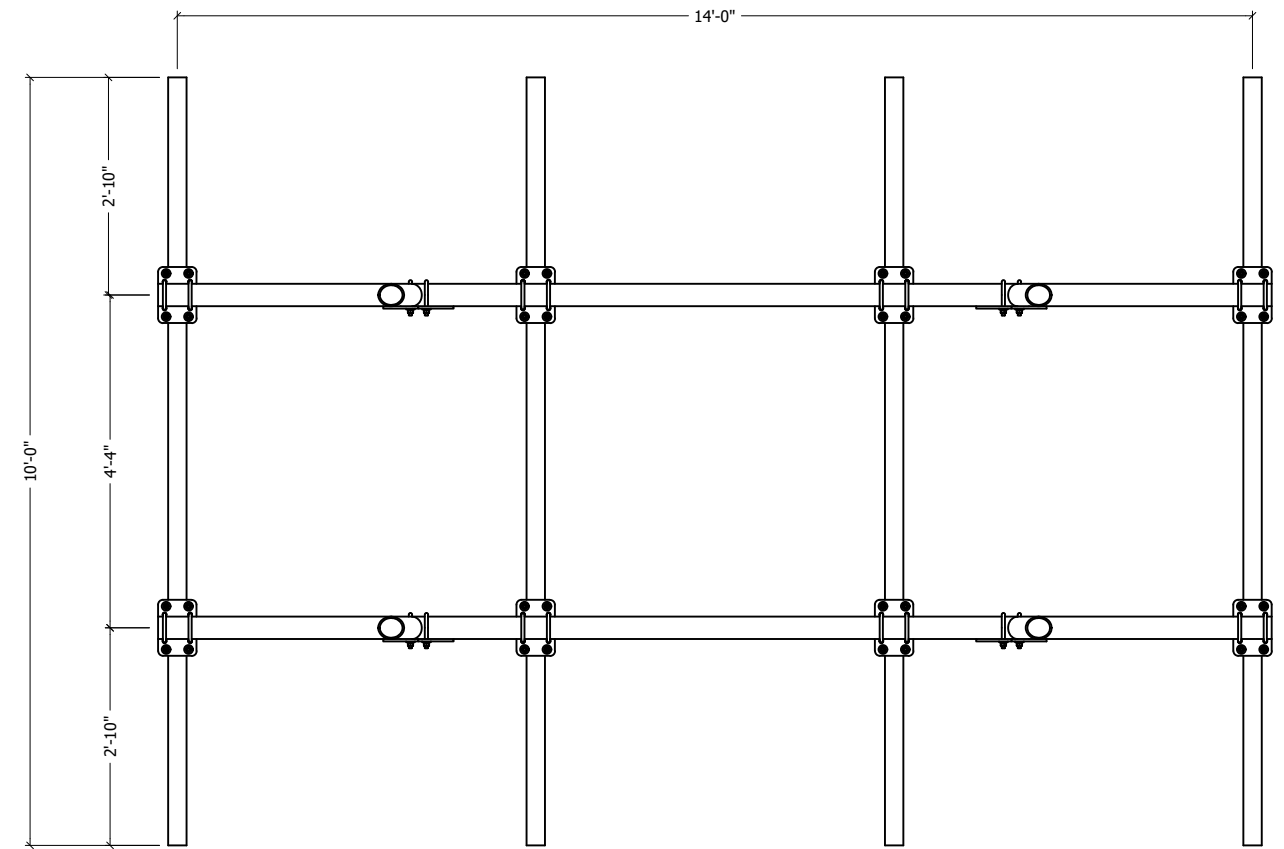
TOTAL WT: 2735.15 LB  
QTY:  
FINISH:  
JOB #:

TITLE:  
**3-SECTOR, 48" T-PIPE STAND-OFF, H10  
14'-6" FACE, FIT 12"-36" O.D POLE**  
SERIES: MONOPOLE MOUNTING

DRAWN BY: DATE: CHK'D BY:  
KY 12/11/2020 -  
DRAWING NO. MDT3-36-14-H10



TOP VIEW



SECTION C-C

THIS DESIGN AND INFORMATION CONTAINED ON THIS PRINT IS THE PROPERTY OF VALLEY FAB CORPORATION. ANY REPRODUCTION, DUPLICATION OR TRANSFER OF THE PROPRIETARY CONTENT IS PROHIBITED WITHOUT WRITTEN PERMISSION.	
<b>STANDARD TOLERANCES:</b> (UNLESS OTHERWISE NOTED) FRACTIONS ±1/16" DECIMALS ±0.01" ANGLES ±0.5°	 <b>NEWAVE</b> TOWER COMPONENTS, 503-792-3739 10910 PORTLAND RD. BROOKS, OR 97305
TOTAL WT: 2735.15 LB QTY: FINISH: JOB #:	TITLE: <b>3-SECTOR, 48" T-PIPE STAND-OFF, H10</b> <b>14'-6" FACE, FIT 12"-36" O.D POLE</b>

DRAWN BY: KY	DATE: 12/11/2020	CHK'D BY: -
DRAWING NO. MDT3-36-14-H10		SHEET: 2 OF 2