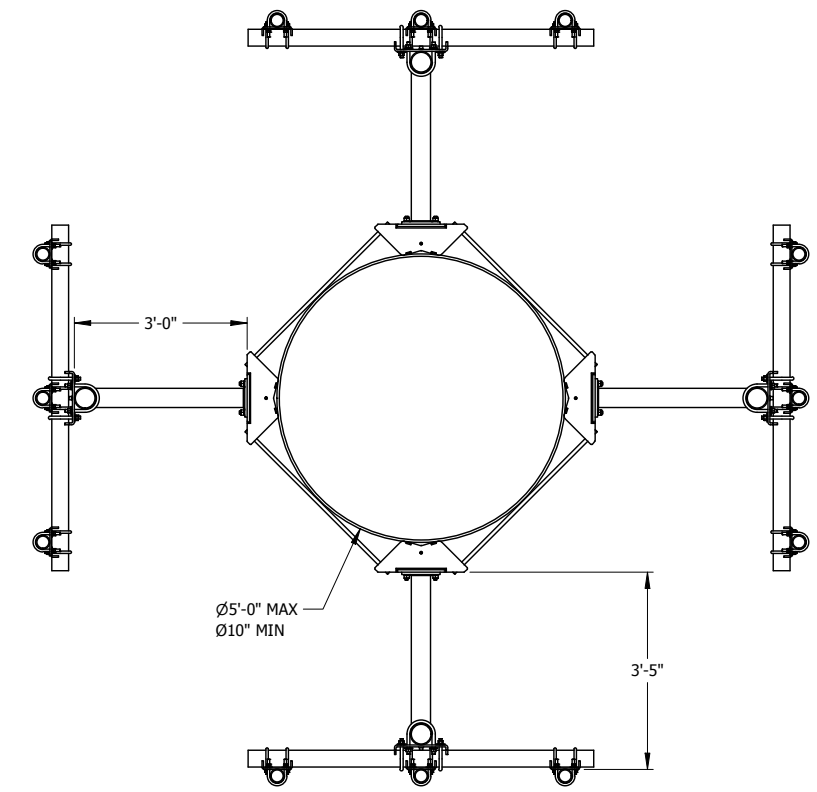
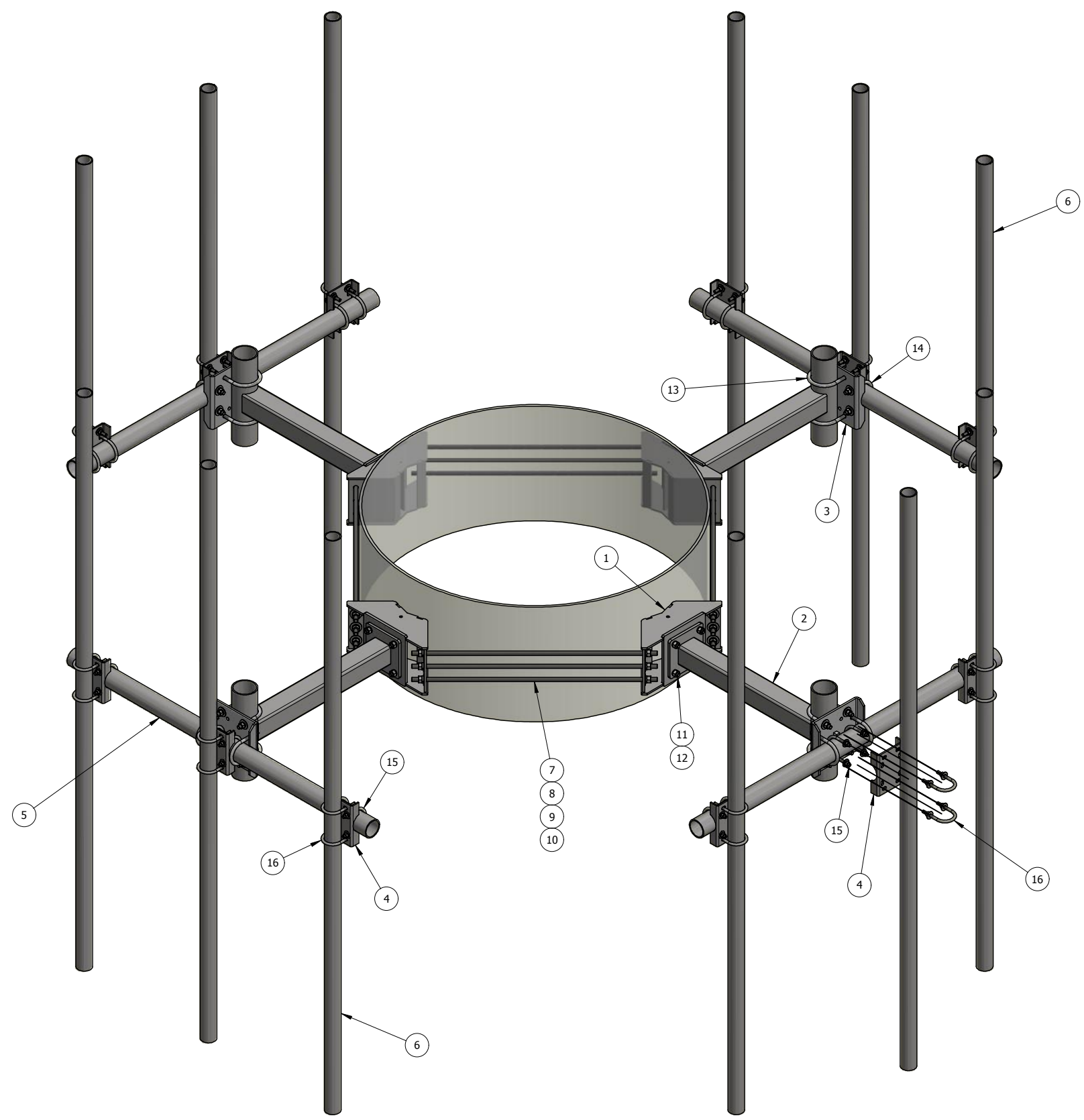


ITEM	PART #	DESCRIPTION	QTY	UNIT WT
1	MF1060-4.01	HEAVY DUTY 4-SECTOR 10" TO 60" O.D RING MOUNT WELDMENT	4	53.83
2	M3015-36.01	SINGLE SUPPORT ARM 36" STAND OFF WELDMENT	4	48.70
3	AM1015-XP.01	CELLULAR FACE MOUNT FOR 3-1/2" TO 4-1/2" CROSS OVER	4	15.61
4	CXCP1	2-3/8" TO 3-1/2" CROSS OVER BENT CHANNEL	12	4.66
5	P35-72	GALV. 3" STD PIPE 6'-0" LONG	4	45.50
6	P278-120	GALV. 2-1/2" STANDARD PIPE @ 10'-0" LONG	12	57.99
7	27-5588-005	3/4" x 42" B7 HDG ALL-THREAD	12	5.26
8	27-5481-005	3/4" A36 HDG FLAT WASHER	24	0.09
9	27-5490-005	3/4" HDG LOCK WASHER	24	0.05
10	27-5501-005	3/4" HDG HEX NUT	24	0.14
11	27-5440-005	GALV. 5/8" x 2-1/4" A325 BOLT ASSEMBLY	16	0.31
12	27-5370-005	5/8" A36 HDG FLAT WASHER	16	0.08
13	27-6230-005	GALV. 5/8" x 4-5/8" x 6-1/2" U-BOLT ASSEMBLY	8	1.80
14	27-6200-005	GALV. 5/8" x 3-5/8" x 6" U-BOLT ASSEMBLY	8	1.66
15	27-6090-005	GALV. 1/2" x 3 5/8" x 5" U-BOLT ASSEMBLY	24	0.91
16	27-6080-005	GALV. 1/2" x 3" x 5" GR-5 U-BOLT ASSEMBLY	24	0.89



TOP VIEW

QTY:
CHK:

STANDARD TOLERANCES:
(UNLESS OTHERWISE NOTED)

FRACTIONS	±1/16"
1 DECIMAL	±.1"
2 DECIMAL	±.03"
3 DECIMAL	±.005"
ANGLES	±.5°

THIS DESIGN AND INFORMATION CONTAINED ON THIS PRINT IS THE PROPERTY OF NEWAVE TOWER COMPONENTS LLC. ANY REPRODUCTION, DUPLICATION OR TRANSFER OF THE PROPRIETARY CONTENT IS PROHIBITED WITHOUT WRITTEN PERMISSION.

NEWAVE
Tower Components, 503-792-3739
10910 PORTLAND RD. BROOKS, OR 97305

MATERIAL:	AS SHOWN
GRADE:	DRAWN BY: KY
FINISH:	CHECKED BY: -
	HDG

TITLE:	4-SECTOR MONOPOLE T-ARM FRAME 36" STAND-OFF, 6' FACE, 2-7/8" O.D PIPE		
SERIES:	MONOPOLE MOUNTING		
DATE:	8/23/2018	PART WT (BARE):	1555.9 LB
DRAWING NO.:	MTF4-366-145		