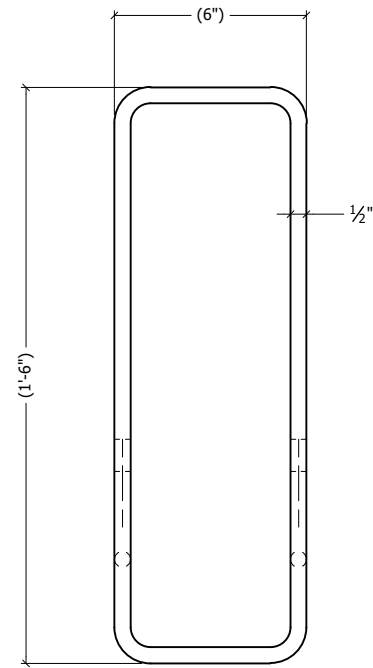
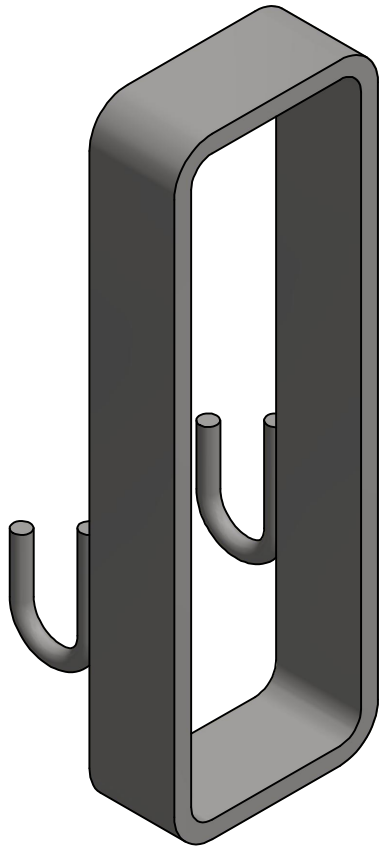
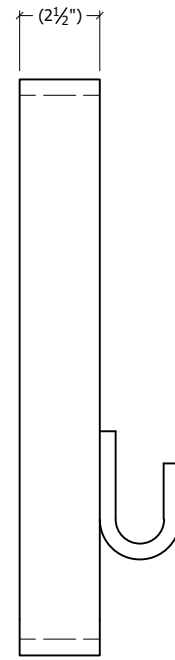


REV	BY	DESCRIPTION	DATE
A	KY	SEE MODEL IPROPERTIES/COMMENTS	2/14/2024



FRONT VIEW



SIDE VIEW

THIS DESIGN AND INFORMATION CONTAINED ON THIS PRINT IS THE PROPERTY OF VALLEY FAB CORPORATION. ANY REPRODUCTION, DUPLICATION OR TRANSFER OF THE PROPRIETARY CONTENT IS PROHIBITED WITHOUT WRITTEN PERMISSION.

STANDARD TOLERANCES:
(UNLESS OTHERWISE NOTED)
FRACTIONS ±1/16"
DECIMALS ±0.01"
ANGLES ±0.5°



NEWAVE
TOWER COMPONENTS. 503-792-3739
10910 PORTLAND RD. BROOKS, OR 97305

TOTAL WT: 16.65 LB
QTY:
FINISH: BARE
JOB #:

GRADE	DESCRIPTION
A572 GR-65	BARE- PORT HOLE WELDMENT
TITLE:	PORT HOLE WELDMENT 6" X 18" W/ J-HOOKS, 2-1/2" DEPTH
SERIES: MONOPOLE MOUNTING	SHEET: 1 OF 1
DRAWN BY: KY	DATE: 2/14/2024
CHK'D BY: KY	DRAWING NO. PORT-6X18