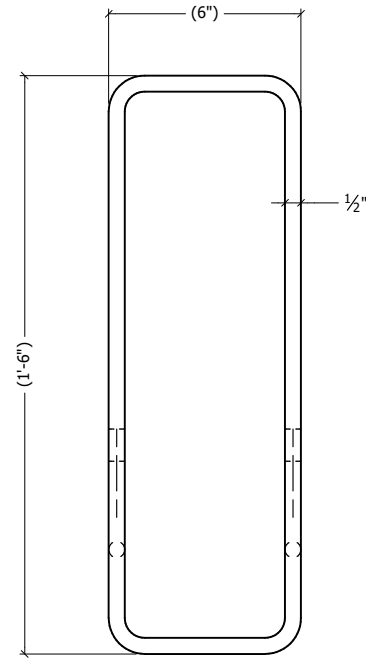
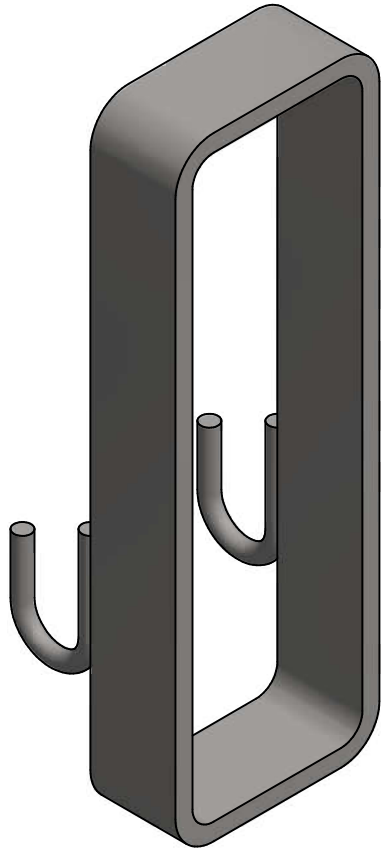
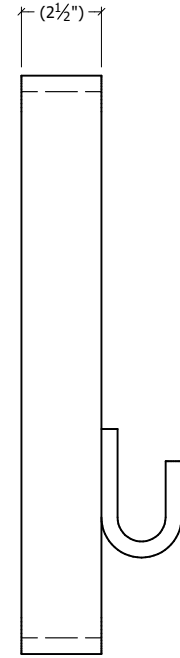


REV	BY	DESCRIPTION	DATE
A	KY	SEE MODEL I PROPERTIES/COMMENTS	2/14/2024



FRONT VIEW



SIDE VIEW

THIS DESIGN AND INFORMATION CONTAINED ON THIS PRINT IS THE PROPERTY OF VALLEY FAB CORPORATION. ANY REPRODUCTION, DUPLICATION OR TRANSFER OF THE PROPRIETARY CONTENT IS PROHIBITED WITHOUT WRITTEN PERMISSION.

STANDARD TOLERANCES:
(UNLESS OTHERWISE NOTED)

FRACTIONS ±1/16"
DECIMALS ±0.01"
ANGLES ±0.5°

NEWAVE
TOWER COMPONENTS. 503-792-3739
10910 PORTLAND RD. BROOKS, OR 97305

TOTAL WT: 16.65 LB

QTY:

FINISH: HDG

JOB #:

GRADE		DESCRIPTION		
A572 GR-65		HDG - PORT HOLE WELDMENT		
TITLE:		PORT HOLE WELDMENT 6" X 18" W/ J-HOOKS, 2-1/2" DEPTH		DRAWN BY: KY
SERIES: MONOPOLE MOUNTING		SHEET: 1 OF 2		DATE: 2/14/2024
				CHK'D BY: KY
		DRAWING NO. PORT-6X18G		