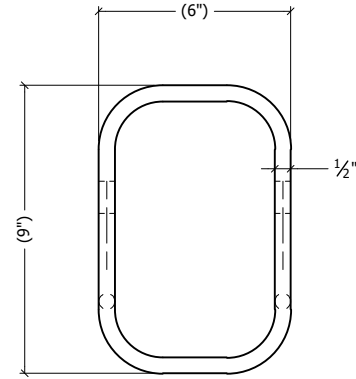
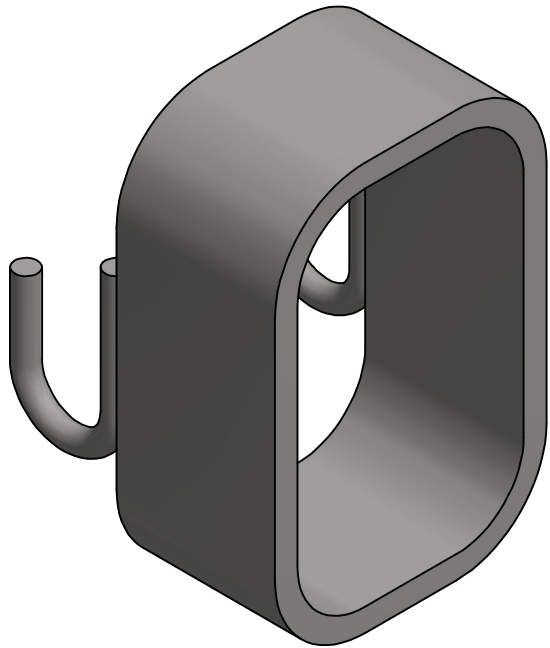
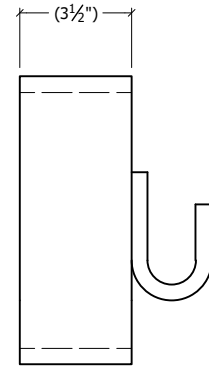


REV	BY	DESCRIPTION	DATE
D	KY	SEE MODEL IPROPERTIES/COMMENTS	2/14/2024



FRONT VIEW



SIDE VIEW

THIS DESIGN AND INFORMATION CONTAINED ON THIS PRINT IS THE PROPERTY OF VALLEY FAB CORPORATION. ANY REPRODUCTION, DUPLICATION OR TRANSFER OF THE PROPRIETARY CONTENT IS PROHIBITED WITHOUT WRITTEN PERMISSION.

**STANDARD TOLERANCES:**  
(UNLESS OTHERWISE NOTED)  
FRACTIONS ±1/16"  
DECIMALS ±0.01"  
ANGLES ±0.5°

**NEWAVE**  
TOWER COMPONENTS. 503-792-3739  
10910 PORTLAND RD. BROOKS, OR 97305

TOTAL WT: 13.25 LB  
QTY:  
FINISH: BARE  
JOB #:

GRADE	DESCRIPTION
A572 GR-65	BARE - PORT HOLE WELDMENT
TITLE: PORT HOLE WELDMENT 6" X 9" W/ J-HOOKS, 3-1/2" DEPTH	
DRAWN BY: KY DATE: 2/14/2024 CHK'D BY: KY	
DRAWING NO. PORT-6X9 (REP)	
SERIES: MONOPOLE MOUNTING	SHEET: 1 OF 1