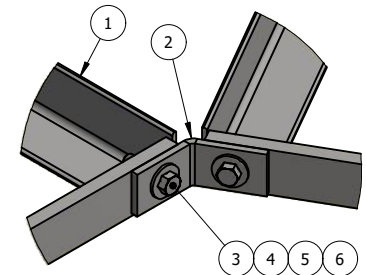
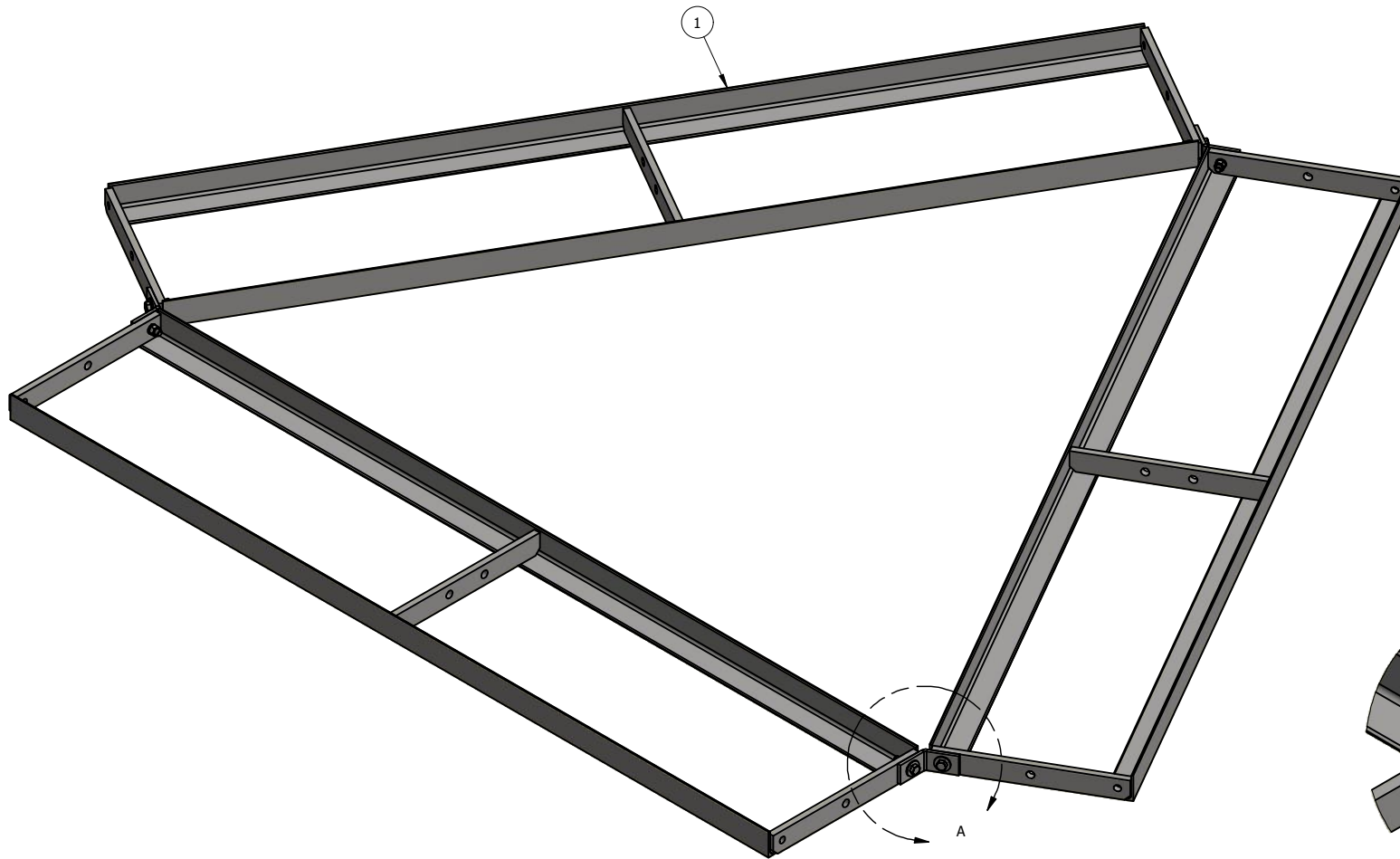


REV	BY	DESCRIPTION	DATE
A	KY	SEE ASSEMBLY PROPERTIES/ COMMENTS	8/15/2016



DETAIL A

ITEM	PART #	QTY	DESCRIPTION	LENGTH	FINISH	UNIT WT
1	RT4007.01	3	ROOFTOP NON-PENETRATING TRAY WELDMENT		HDG	61.60
2	RT4007.05	3	5/16" PLATE		HDG	0.90
3	27-4303-005	6	1/2" x 2" GR.5 HDG BOLT			0.16
4	27-5200-005	6	1/2 A36 HDG FLAT WASHER			0.04
5	27-5210-005	6	1/2 HDG LOCK WASHER			0.01
6	27-5222-005	6	1/2 HDG HEX NUT			0.04

THIS DESIGN AND INFORMATION CONTAINED ON THIS PRINT IS THE PROPERTY OF VALLEY FAB CORPORATION. ANY REPRODUCTION, DUPLICATION OR TRANSFER OF THE PROPRIETARY CONTENT IS PROHIBITED WITHOUT WRITTEN PERMISSION.

STANDARD TOLERANCES:
(UNLESS OTHERWISE NOTED)
FRACTIONS ±1/16"
DECIMALS ±0.01"
ANGLES ±0.5°

NEWAVE
TOWER COMPONENTS. 503-792-3739
10910 PORTLAND RD. BROOKS, OR 97305

TOTAL WT: 189.05 LB

QTY:

FINISH:

JOB #:

TITLE:

NON-PENETRATING SLED
FOR TRIPPOD MOUNT

SERIES: ROOFTOP MOUNTING

SHEET: 1 OF 2

DRAWN BY:

JG

DATE:

7/17/2018

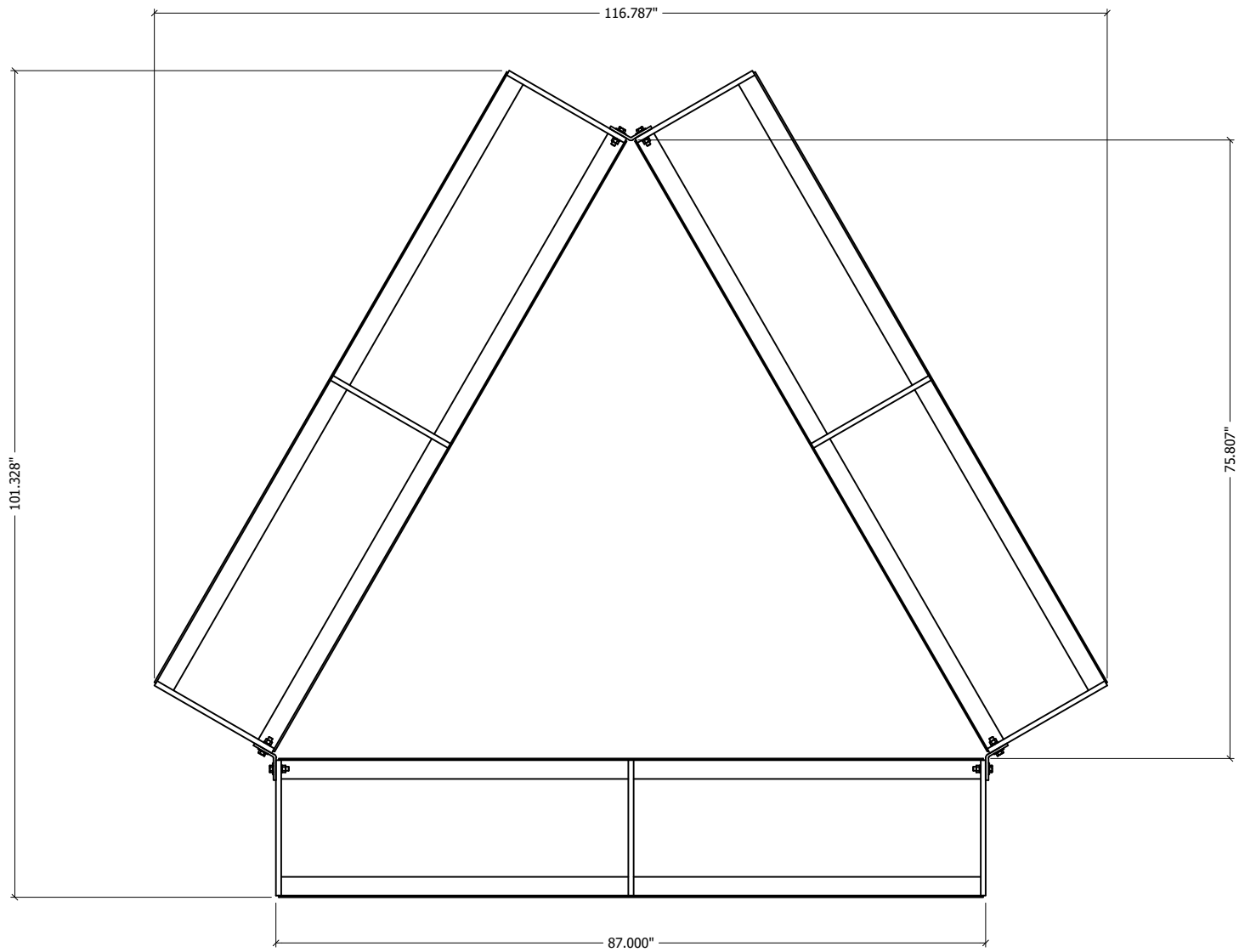
CHK'D BY:

KY

DRAWING NO.

RT4007

REV	BY	DESCRIPTION	DATE
A	KY	SEE ASSEMBLY PROPERTIES/ COMMENTS	8/15/2016



THIS DESIGN AND INFORMATION CONTAINED ON THIS PRINT IS THE PROPERTY OF VALLEY FAB CORPORATION. ANY REPRODUCTION, DUPLICATION OR TRANSFER OF THE PROPRIETARY CONTENT IS PROHIBITED WITHOUT WRITTEN PERMISSION.

STANDARD TOLERANCES:
 (UNLESS OTHERWISE NOTED)
 FRACTIONS ±1/16"
 DECIMALS ±0.01"
 ANGLES ±0.5°

NEWAVE
 TOWER COMPONENTS. 503-792-3739
 10910 PORTLAND RD. BROOKS, OR 97305

TOTAL WT: 189.05 LB
 QTY:
 FINISH:
 JOB #:

TITLE:

**NON-PENETRATING SLED
 FOR TRIPPOD MOUNT**

SERIES: ROOFTOP MOUNTING

SHEET: 2 OF 2

DRAWN BY: JG	DATE: 7/17/2018	CHK'D BY: KY
DRAWING NO. RT4007		