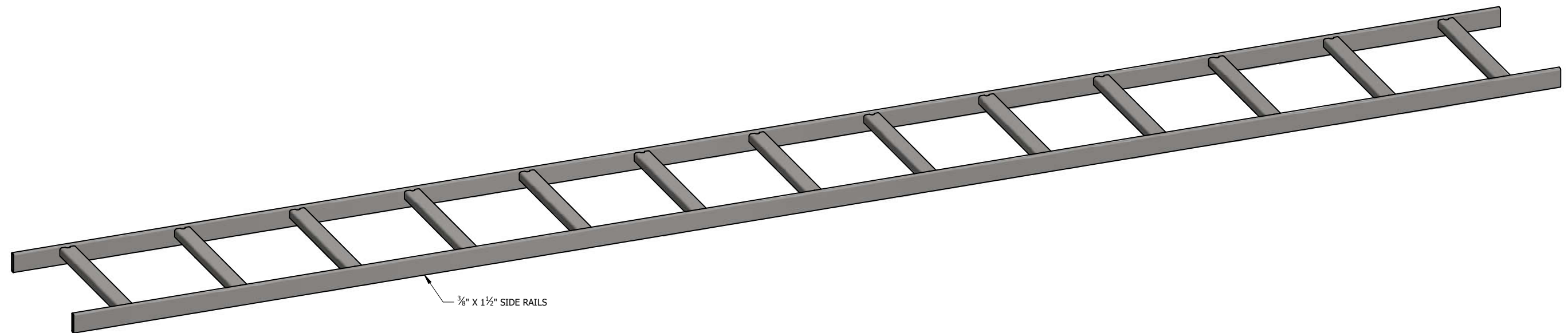



TOP VIEW



| | |
|---|---|
| THIS DESIGN AND INFORMATION CONTAINED ON THIS PRINT IS THE PROPERTY OF VALLEY FAB CORPORATION. ANY REPRODUCTION, DUPLICATION OR TRANSFER OF THE PROPRIETARY CONTENT IS PROHIBITED WITHOUT WRITTEN PERMISSION. | |
| STANDARD TOLERANCES: (UNLESS OTHERWISE NOTED) FRACTIONS ±1/16" DECIMALS ±0.01" ANGLES ±0.5° |  NEWAVE TOWER COMPONENTS, 503-792-3739 10910 PORTLAND RD. BROOKS, OR 97305 |
| TOTAL WT: 24 LB | |
| QTY: | |
| FINISH: YELLOW ZINC | |
| JOB #: | |

| | | | | |
|---------|---|-----------------|--------------------|-------------------------|
| TITLE: | CABLE RUNWAY 12" WIDE X 9'-8-1/2" LADDER STYLE | DRAWN BY: KY | DATE: 3/10/2023 | CHK'D BY: - |
| SERIES: | SITE ACCESSORIES | SHEET: 2 OF 2 | | DRAWING NO. SB1712YZ |

| REV | BY | DESCRIPTION | DATE |
|-----|----|---------------------------------|----------|
| A | KY | SEE MODEL I PROPERTIES/COMMENTS | 1/5/2024 |